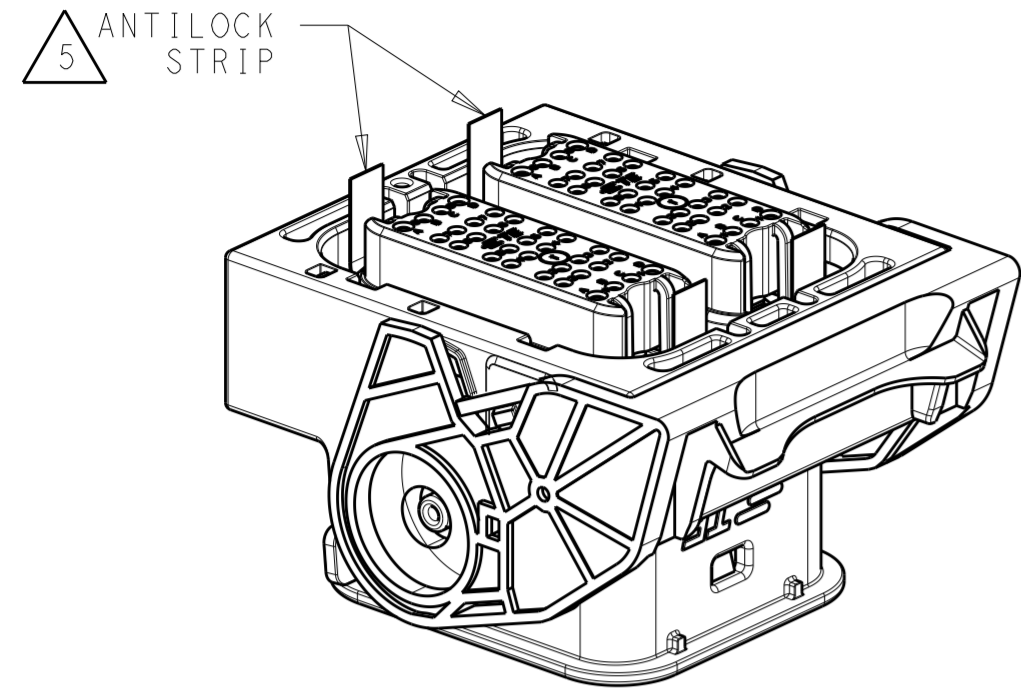
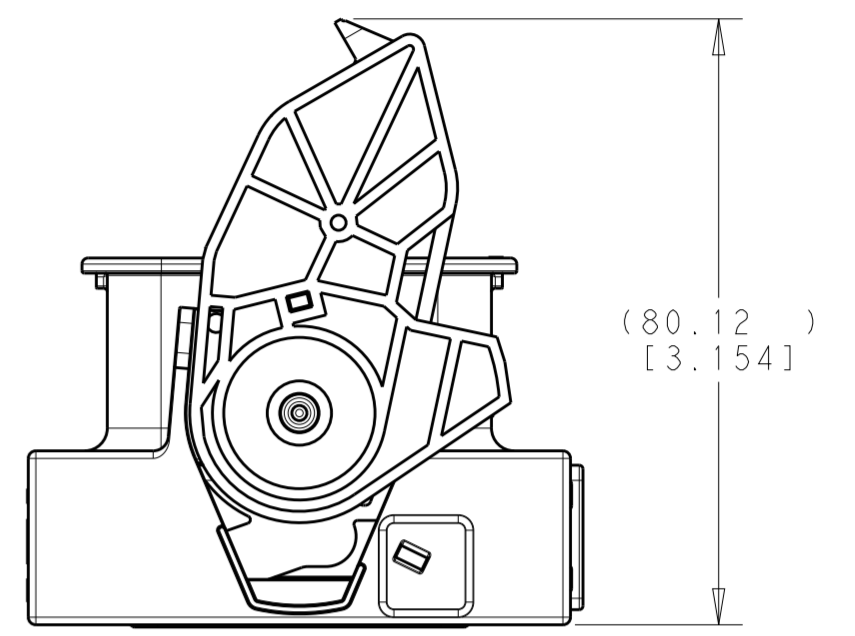
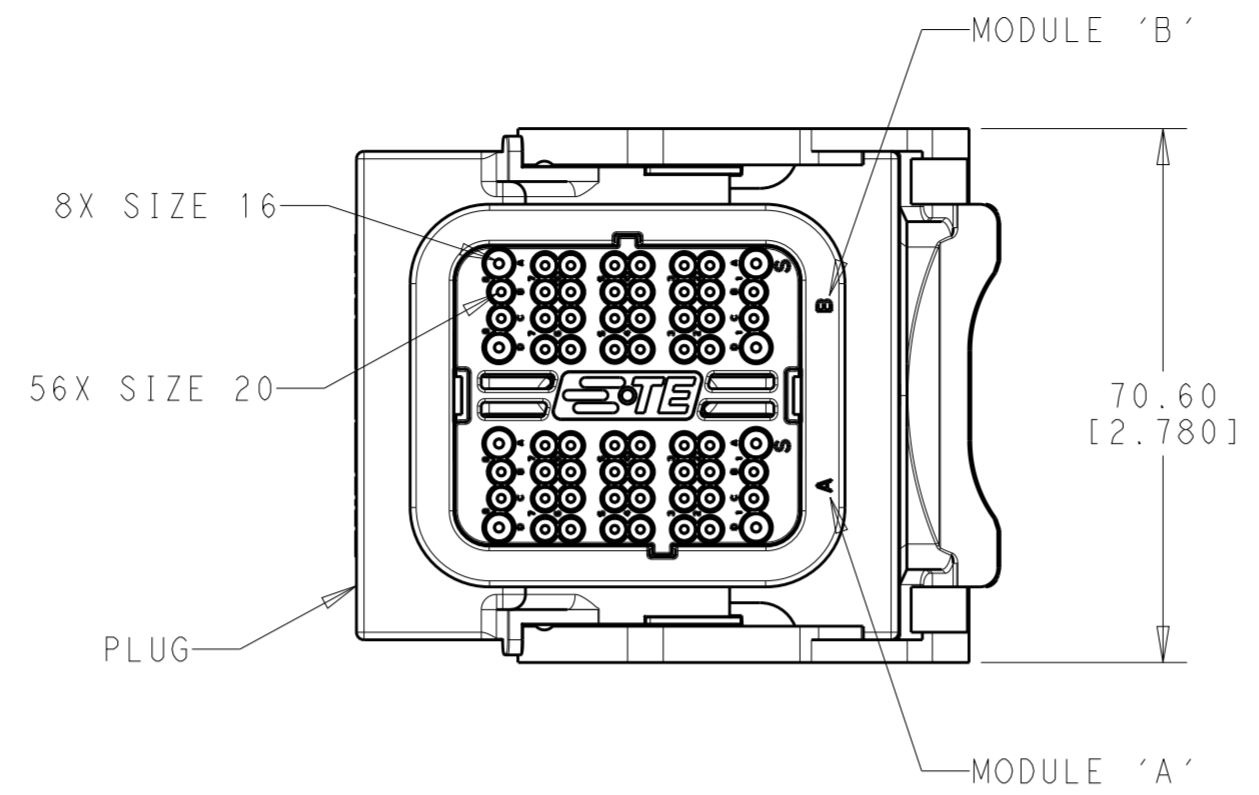


REVISIONS				
P	LTR	DESCRIPTION	DATE	APVD
A		INITIAL RELEASE	28JAN2016	RL DM
A1		REVISED PER ECO-16-007312	12MAY2016	RL DM

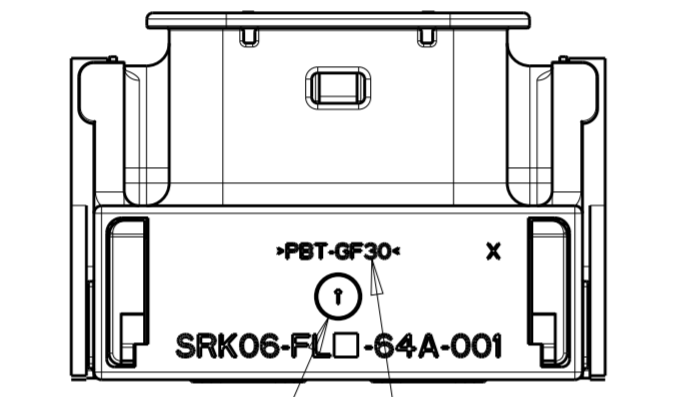


TPA SHOWN IN PRE-MOUNTED POSITION AS RECEIVED

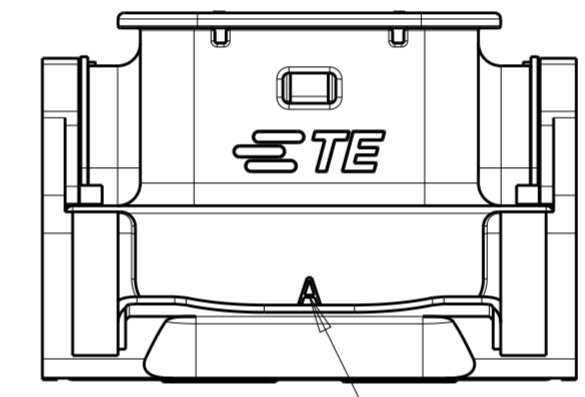
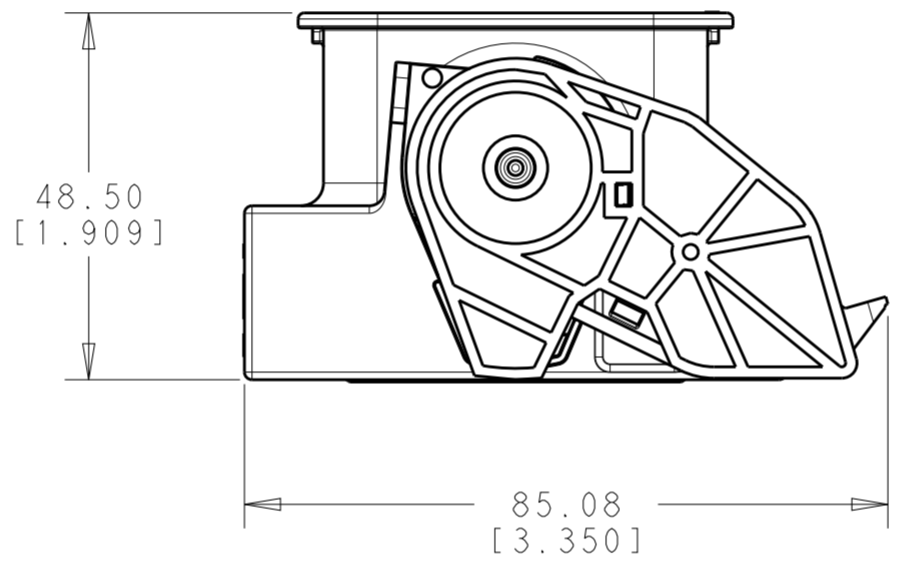
5



LATCH IN OPEN POSITION  
 DIMENSION SHOWN FOR REFERENCE



DATE CODE MATERIAL ID



KEY ARRANGEMENT ID (A THRU J)

6

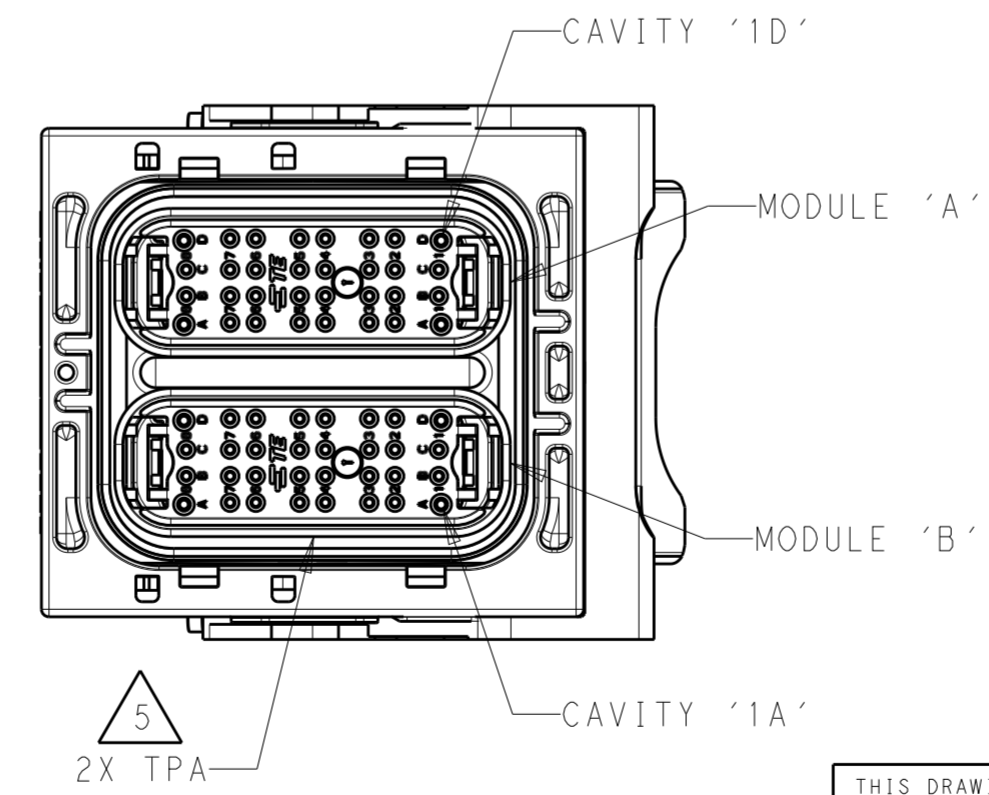
TE INTERNAL PN	DEUTSCH PN
SRK06-FLA-64A-001	SRK06-FLA-64A-001
SRK06-FLB-64A-001	SRK06-FLB-64A-001
SRK06-FLC-64A-001	SRK06-FLC-64A-001
SRK06-FLD-64A-001	SRK06-FLD-64A-001
SRK06-FLE-64A-001	SRK06-FLE-64A-001
SRK06-FLF-64A-001	SRK06-FLF-64A-001
SRK06-FLG-64A-001	SRK06-FLG-64A-001
SRK06-FLH-64A-001	SRK06-FLH-64A-001
SRK06-FLI-64A-001	SRK06-FLI-64A-001
SRK06-FLJ-64A-001	SRK06-FLJ-64A-001

CONTACT SIZE	MIN INSUL OD	MAX INSUL OD	WIRE RANGE REF ONLY
16	1.55 [.061]	3.05 [.120]	2.0-0.5MM <sup>2</sup> 14-20 AWG
20	1.55 [.061]	2.41 [.095]	1.0-0.5MM <sup>2</sup> 16-20 AWG

- 6 SEE SHEET 2 FOR KEY ARRANGEMENTS.
- 5 TERMINAL POSITION ASSURANCE (TPA) IS SHIPPED INSTALLED IN PRE-MOUNTED POSITION. REMOVE ANTILOCK STRIP PRIOR TO CONTACT INSERTION. USE HOOK STYLE TOOL, SUCH AS DT-RT1, TO REMOVE TPA IF NEEDED.
- 4. BOTH MODULE CONTACT CAVITY IDENTIFICATIONS ARE SAME. CAVITIES 1A,1D,8A,8D ARE SIZE 16. REMAINING CAVITIES ARE SIZE 20.
- 3. THE PLUG MATES WITH SRK02-FLX-64A-001-XXXX RECEPTACLE. (X = A THRU J, XXXX = ALL MODIFICATIONS)
- 2 MATERIAL:  
 PLUG, TPA, CAP: PBT GF30 (BLACK)  
 LATCH: PBT GF30 (RED)  
 CAM: PBT GF30 (YELLOW)  
 INTERFACE SEAL: VMO (GREEN)  
 GROMMET: VMO (RED-ORANGE)

1 DIMENSIONAL TOLERANCES: ±0.64 [0.025]

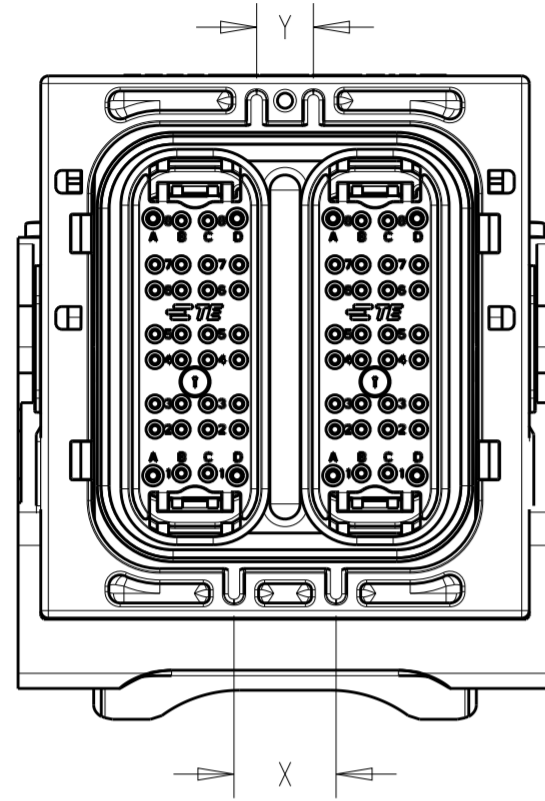
NOTES: UNLESS OTHERWISE SPECIFIED:



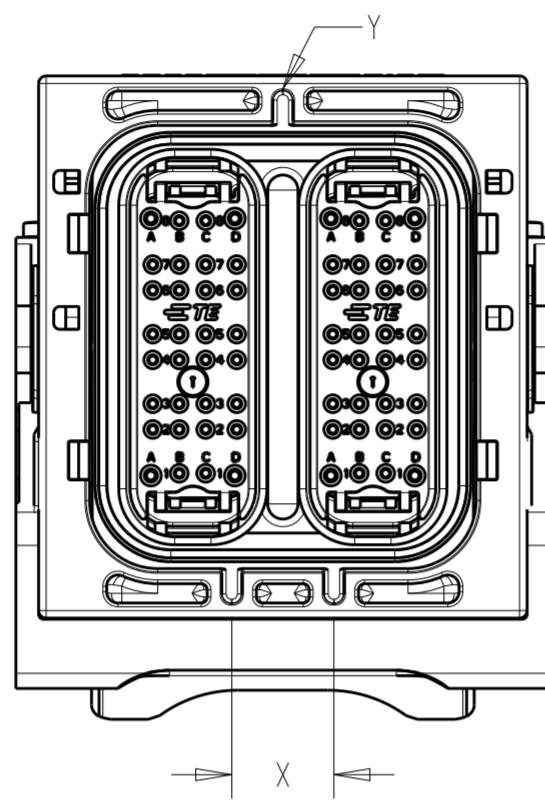
THIS DRAWING IS A CONTROLLED DOCUMENT.		DWN R. LEFFERTS 27 JAN 2016	TE Connectivity	
DIMENSIONS: mm [INCHES]		CHK D. WHITACRE 28 JAN 2016		
TOLERANCES UNLESS OTHERWISE SPECIFIED:		APVD D. MEYER 28 JAN 2016	NAME PLUG 64-PIN (FULL) STRIKE SERIES	
0 PLC ± 1 1 PLC ± 1 2 PLC ± 1 3 PLC ± 1 4 PLC ± 1 ANGLES ± FINISH ±		PRODUCT SPEC	SIZE CAGE CODE DRAWING NO RESTRICTED TO	
MATERIAL		APPLICATION SPEC 0425-015-0000	A2 C-SRK06-FLX-64A-001	
2		WEIGHT 174.5g	SCALE 1:1 SHEET 1 OF 2 REV A1	
		CUSTOMER DRAWING		

REVISIONS					
P	LTR	DESCRIPTION	DATE	DWN	APVD
-		SEE SHEET 1			

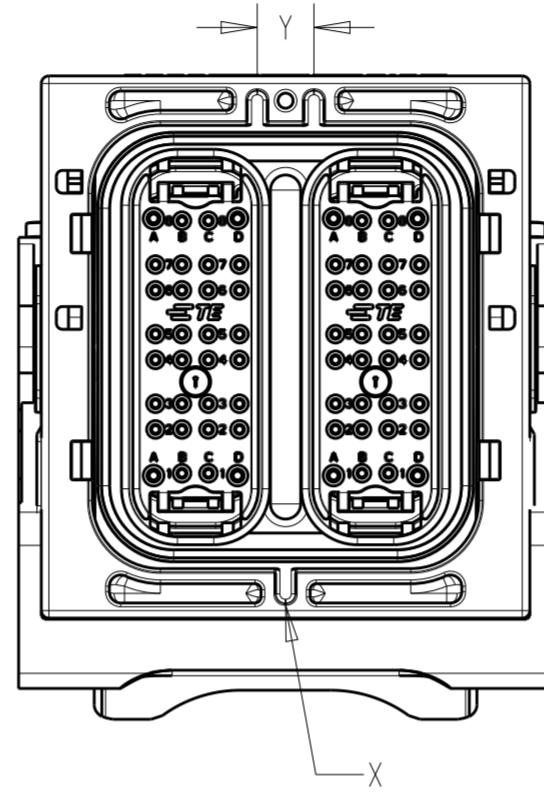
SRK06-FLA-64A-001



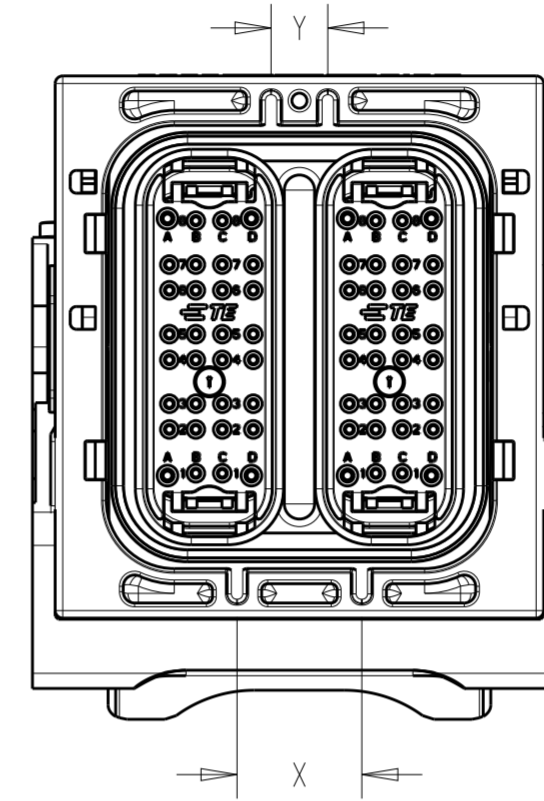
SRK06-FLB-64A-001



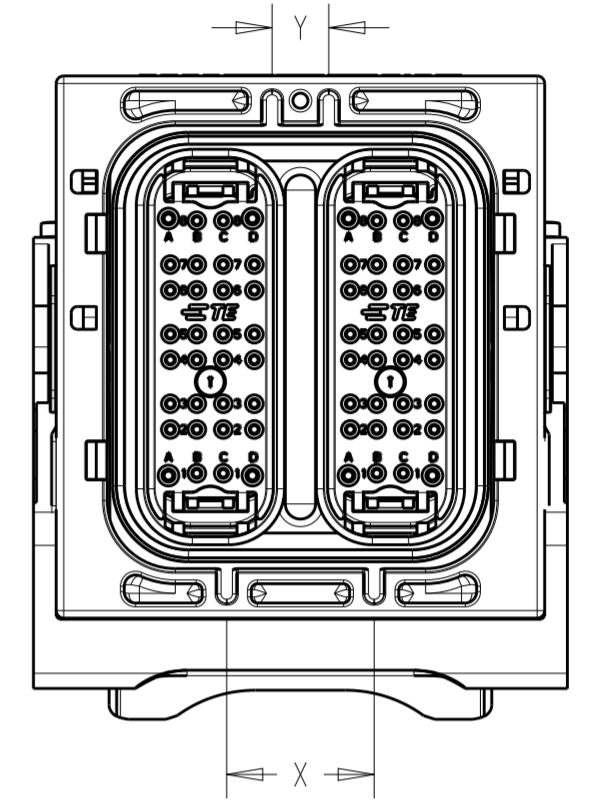
SRK06-FLC-64A-001



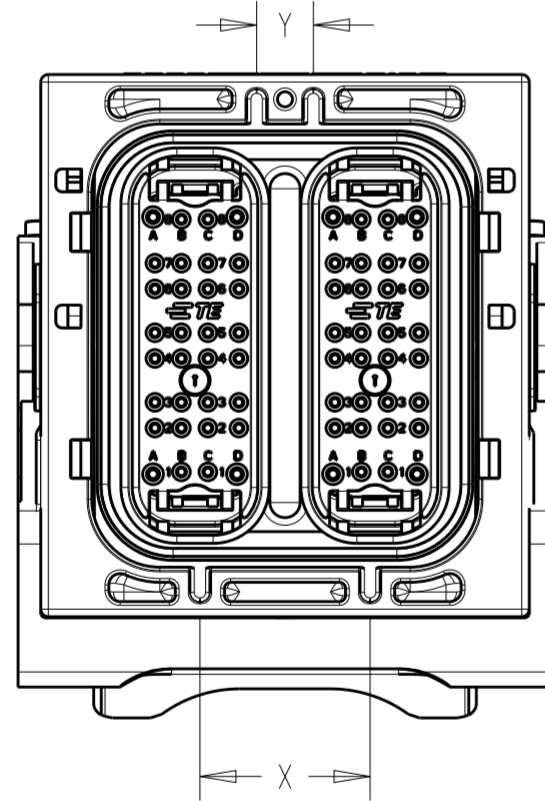
SRK06-FLD-64A-001



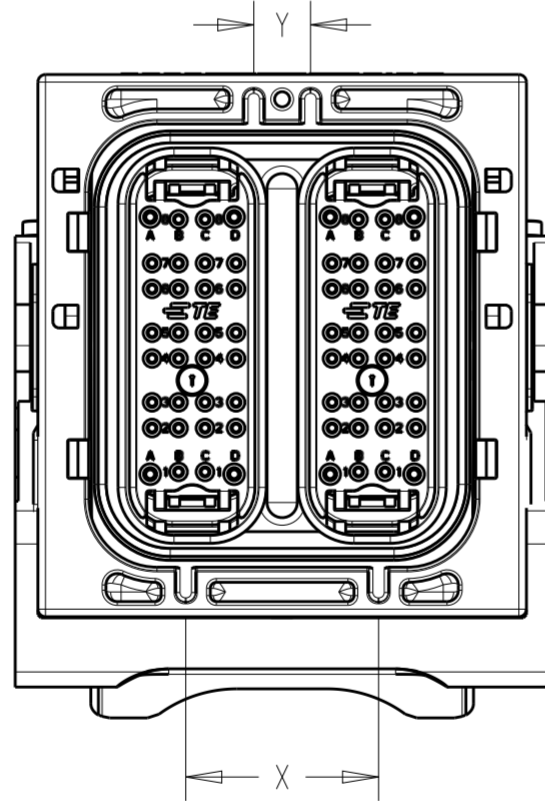
SRK06-FLE-64A-001



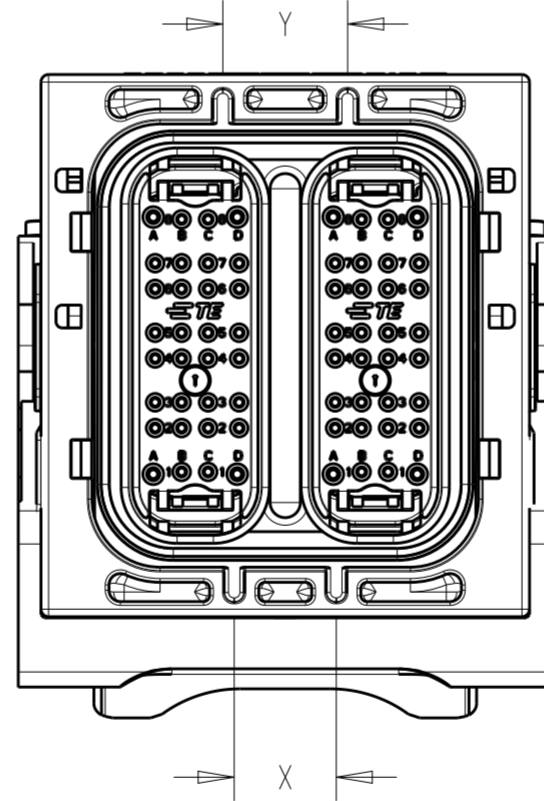
SRK06-FLF-64A-001



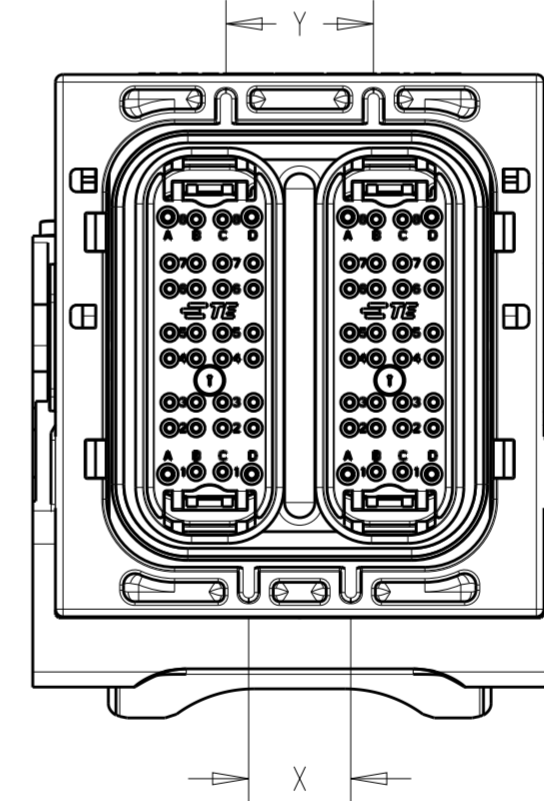
SRK06-FLG-64A-001



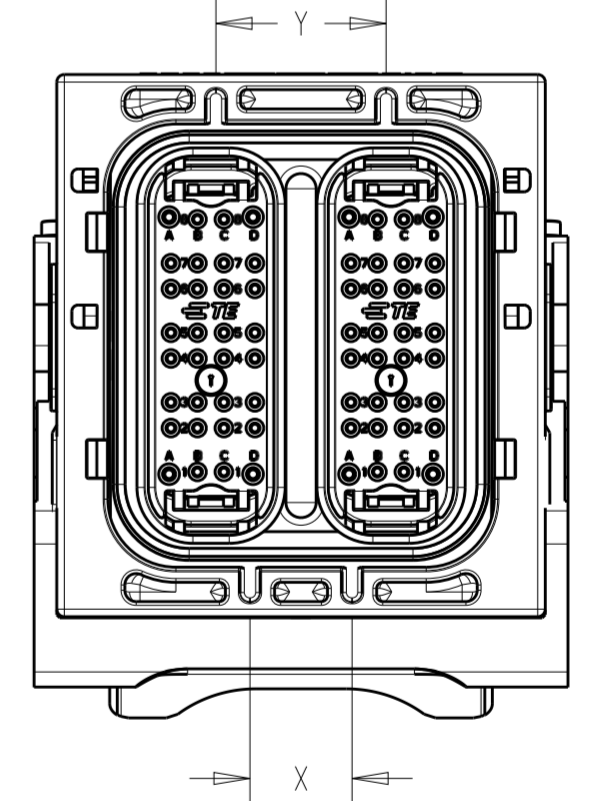
SRK06-FLH-64A-001



SRK06-FLI-64A-001



SRK06-FLJ-64A-001



KEY ARRANGEMENTS:

ARRANGEMENT	X	Y
A	13.50 [.530]	7.50 [.300]
B	13.50 [.530]	0*
C	0*	7.50 [.300]
D	16.50 [.650]	7.50 [.300]
E	19.50 [.770]	7.50 [.300]
F	22.50 [.890]	7.50 [.300]
G	25.50 [1.000]	7.50 [.300]
H	13.50 [.530]	16.50 [.650]
I	13.50 [.530]	19.50 [.770]
J	13.50 [.530]	22.50 [.890]

\* A ZERO DIMENSION INDICATES A SINGLE KEY IN THE CENTER

THIS DRAWING IS A CONTROLLED DOCUMENT.		DWN R. LEFFERTS 27 JAN 2016	TE Connectivity
DIMENSIONS: mm [INCHES]		CHK D. WHITACRE 28 JAN 2016	
TOLERANCES UNLESS OTHERWISE SPECIFIED:		APVD D. MEYER 28 JAN 2016	NAME PLUG 64-PIN (FULL) STRIKE SERIES
 0 PLC ± 1 PLC ± 2 PLC ± 3 PLC ± 4 PLC ± ANGLES ± FINISH ±	 1 2 3 4	PRODUCT SPEC	SIZE A2
MATERIAL 		APPLICATION SPEC 0425-015-0000	CAGE CODE DRAWING NO C-SRK06-FLX-64A-001
		WEIGHT 174.5g	RESTRICTED TO
		CUSTOMER DRAWING	SCALE 1:1 SHEET 2 OF 2 REV A1

## X-ON Electronics

Largest Supplier of Electrical and Electronic Components

*Click to view similar products for [Automotive Connectors](#) category:*

*Click to view products by [TE Connectivity](#) manufacturer:*

Other Similar products are found below :

[003-018-000](#) [60403001](#) [60993906-B](#) [M902-2131](#) [M902-2161](#) [72.330.1035.1](#) [73.353.4028.0](#) [F119300-B](#) [F166900](#) [F258300-B](#) [F358300-B](#)  
[F407400](#) [F444110](#) [F487000](#) [F509500B-B](#) [827153-1](#) [8N1515-32-24P](#) [9-1326729-8](#) [925474-1](#) [928905-1](#) [964562-4](#) [968782-1](#) [GT17SA-8DS-](#)  
[HU](#) [98891-1012](#) [98947-1016](#) [12004147](#) [12004475-L](#) [12010290](#) [12010309-B](#) [12015454](#) [12020219-B](#) [12020308](#) [12041318-B](#) [12052225-L](#)  
[12052466](#) [12059125](#) [12064869](#) [12004327-B](#) [12010503-B](#) [12015308](#) [12015384](#) [12015909](#) [1-21030-1](#) [12041254](#) [12041318](#) [12047946-B](#)  
[12047957](#) [12047957-L](#) [12059473](#) [12066261](#)