
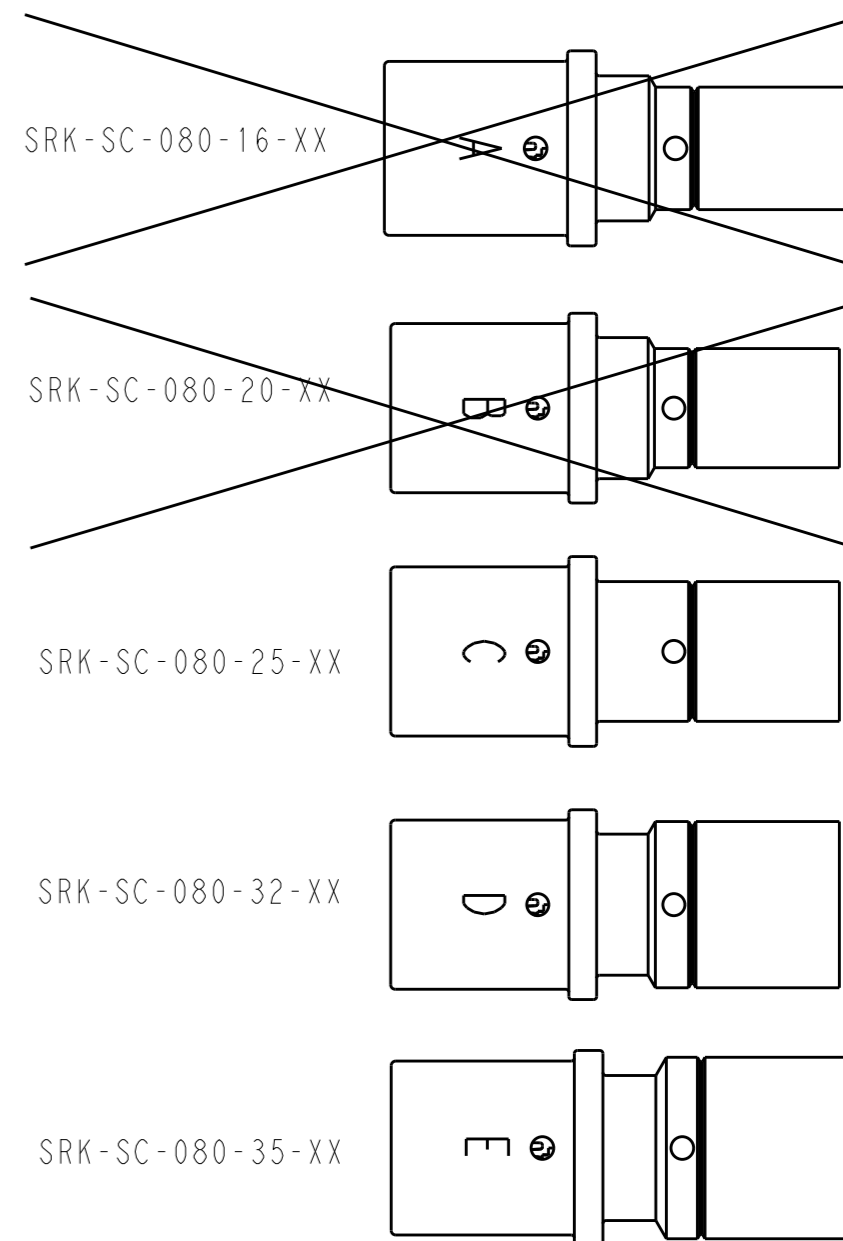
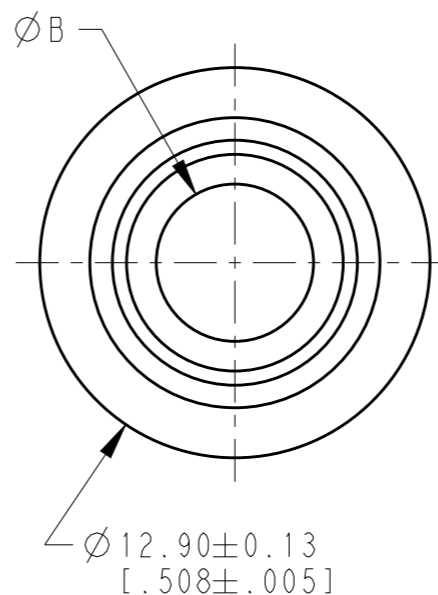
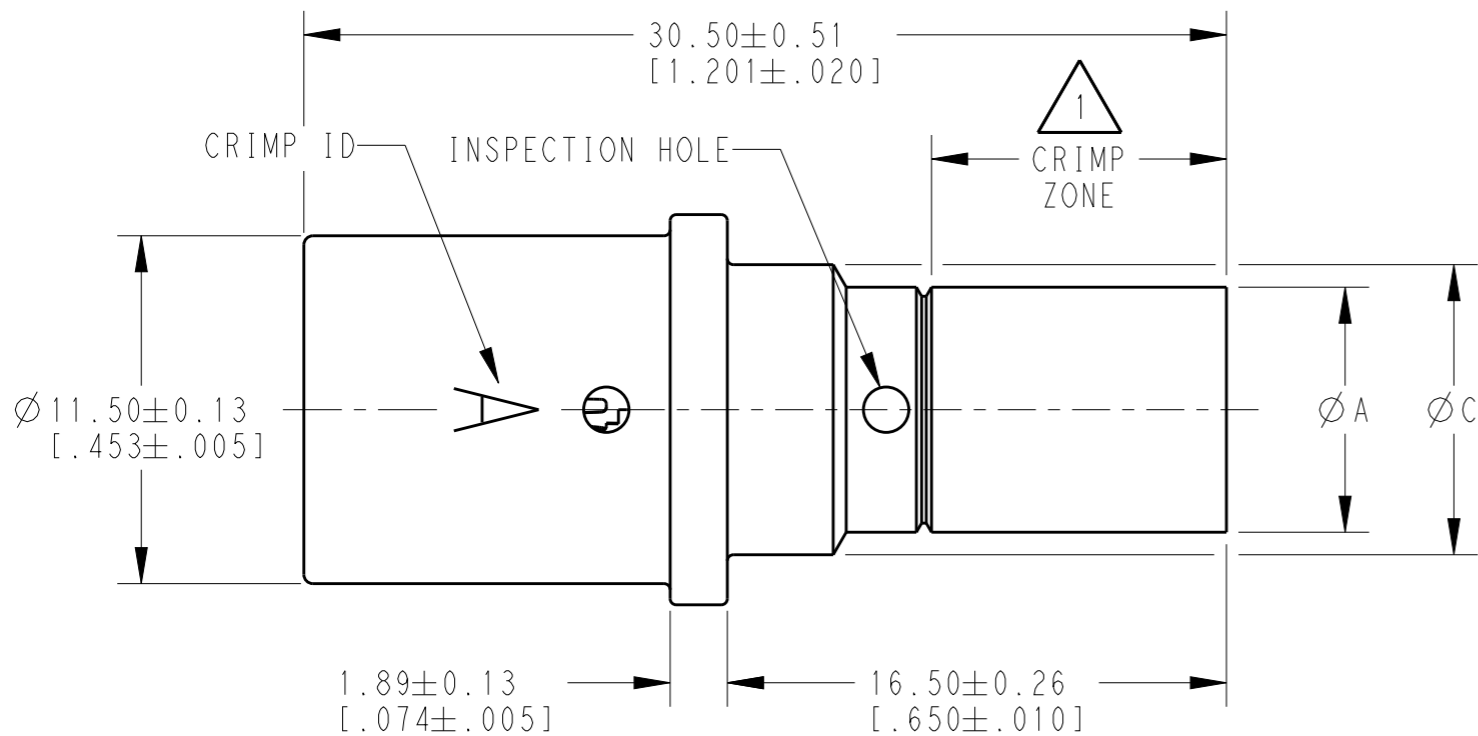





THIS DRAWING IS UNPUBLISHED
 RELEASED FOR PUBLICATION 2015
 © COPYRIGHT 2010 BY TE CONNECTIVITY ALL RIGHTS RESERVED.


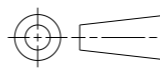


LOC	DIST	REVISIONS			
P	LTR	DESCRIPTION	DATE	DWN	APVD
	NC	NEW RELEASE PER E.O. P20459	05MAR2010	DM	RDR
	A	REVISED PER E.O. P20612	09SEP2010	DM	RDR
	A1	REVISED PER ECO-15-012830	17SEP2015	JA	DM

PART NUMBER	CRIMP ID	ØA ±.13 [.005]	ØB ±.13 [.005]	ØC ±.13 [.005]	CONDUCTOR WIRE SIZE REF 	WEIGHT REF GR [OZ]
SRK-SC-080-16-XX	A	8.10 [.319]	5.20 [.205]	9.59 [.378]	16mm ² 6 AWG	12.53 [.442]
SRK-SC-080-20-XX	B	8.10 [.319]	5.80 [.228]	9.59 [.378]	5 AWG	11.91 [.420]
SRK-SC-080-25-XX	C	9.50 [.374]	6.90 [.272]	9.50 [.374]	25mm ² 4 AWG	12.76 [.450]
SRK-SC-080-32-XX	D	11.30 [.445]	8.00 [.315]	9.59 [.374]	2 AWG	14.59 [.515]
SRK-SC-080-35-XX	E	12.00 [.472]	8.90 [.350]	9.59 [.374]	35mm ²	14.55 [.513]



-  WHEN XX = 601: PLATING IS SILVER AND MAY TARNISH.
-  MATERIAL: SOCKET BODY & INSERT: COPPER.
-  FOR CRIMPING INFORMATION SEE DRAWING 8925-003-0000.

NOTES: UNLESS OTHERWISE SPECIFIED

THIS DRAWING IS A CONTROLLED DOCUMENT.		DWN 05MAR2010 DAVID MEYER	 TE Connectivity		
DIMENSIONS: mm [INCHES]		CHK 09SEP2010 DAVID MEYER			
TOLERANCES UNLESS OTHERWISE SPECIFIED:		APVD 09SEP2010 ROBIN REED	NAME CONTACT, SOCKET 8mm DIA SRK SERIES		
 0 PLC ± 1 PLC ± 2 PLC ±0.64 [.025] 3 PLC ± 4 PLC ± ANGLES ±0°30'0"		PRODUCT SPEC N/A	RESTRICTED TO		
MATERIAL 		APPLICATION SPEC 8925-003-0000	SIZE A3	CAGE CODE 4AFU8	DRAWING NO SRK-SC-080-16/35-XX
FINISH 		WEIGHT	SCALE 2:1		
		Customer Drawing	SHEET 1 OF 1		
			REV A1		

X-ON Electronics

Largest Supplier of Electrical and Electronic Components

Click to view similar products for [Automotive Connectors](#) category:

Click to view products by [TE Connectivity](#) manufacturer:

Other Similar products are found below :

[003-018-000](#) [600858](#) [60403001](#) [60993906-B](#) [60993913-B](#) [629515004020001](#) [M83723/71R1808N L/C](#) [M902-2131](#) [M902-2161](#) [M902-2344](#)
[72.330.1035.1](#) [73.353.4028.0](#) [F118010](#) [F119300-B](#) [F132210](#) [F166900](#) [F180100](#) [F258300](#) [F258300-B](#) [F294300-B](#) [F339100](#) [F339700](#)
[F358300-B](#) [F374110](#) [F407400](#) [F412210](#) [F444110](#) [F487000](#) [F495100](#) [F500900-B](#) [F509500B-B](#) [770444-1](#) [827153-1](#) [881735-1](#)
[8N1515-32-24P](#) [9-1326729-8](#) [925467-1](#) [925474-1](#) [928905-1](#) [936398-2](#) [964562-4](#) [964731-2](#) [968782-1](#) [GT17SA-8DS-HU](#) [GT17VS-10DP-](#)
[5.2CF](#) [98315-0001](#) [98315-0010](#) [98891-1012](#) [98895-2014](#) [98936-1039](#)