
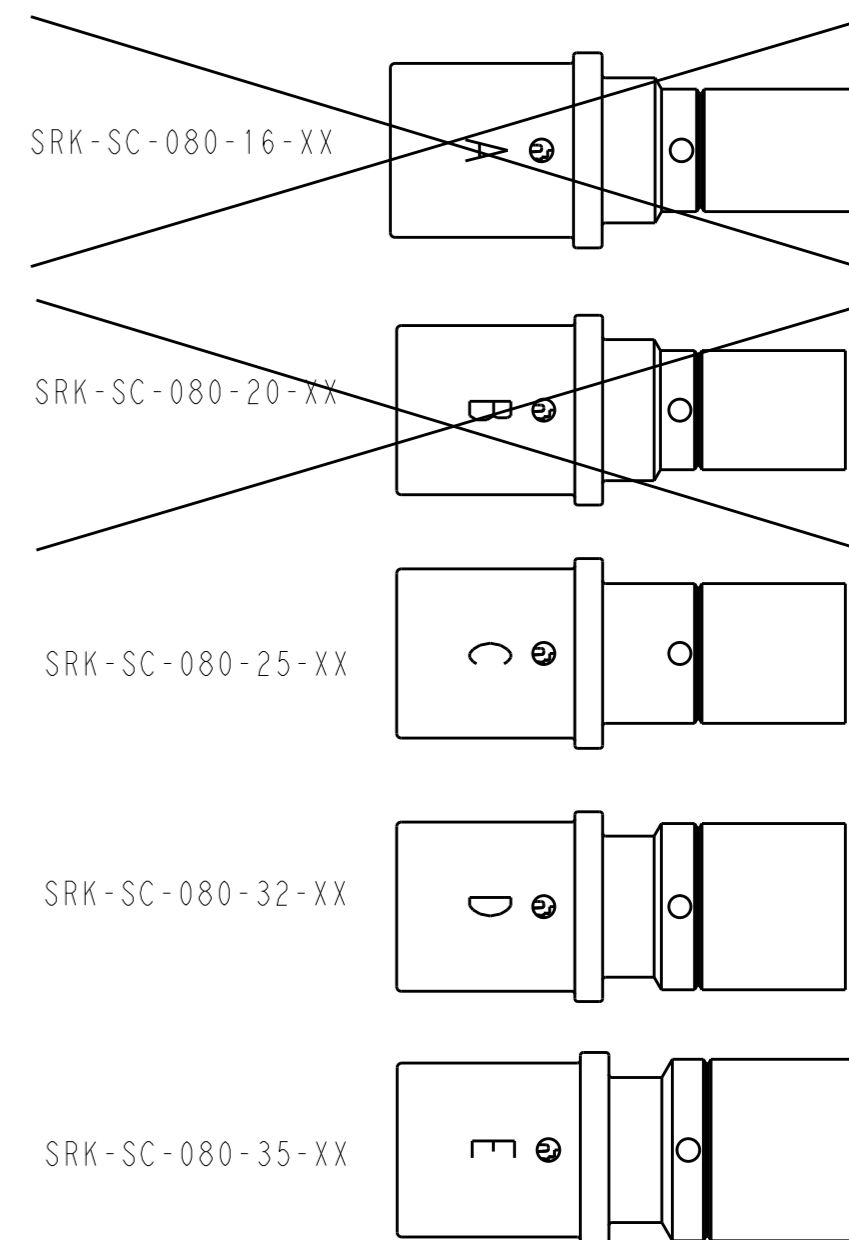
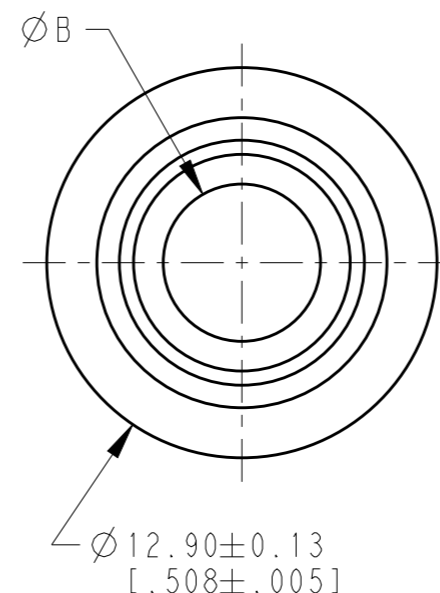
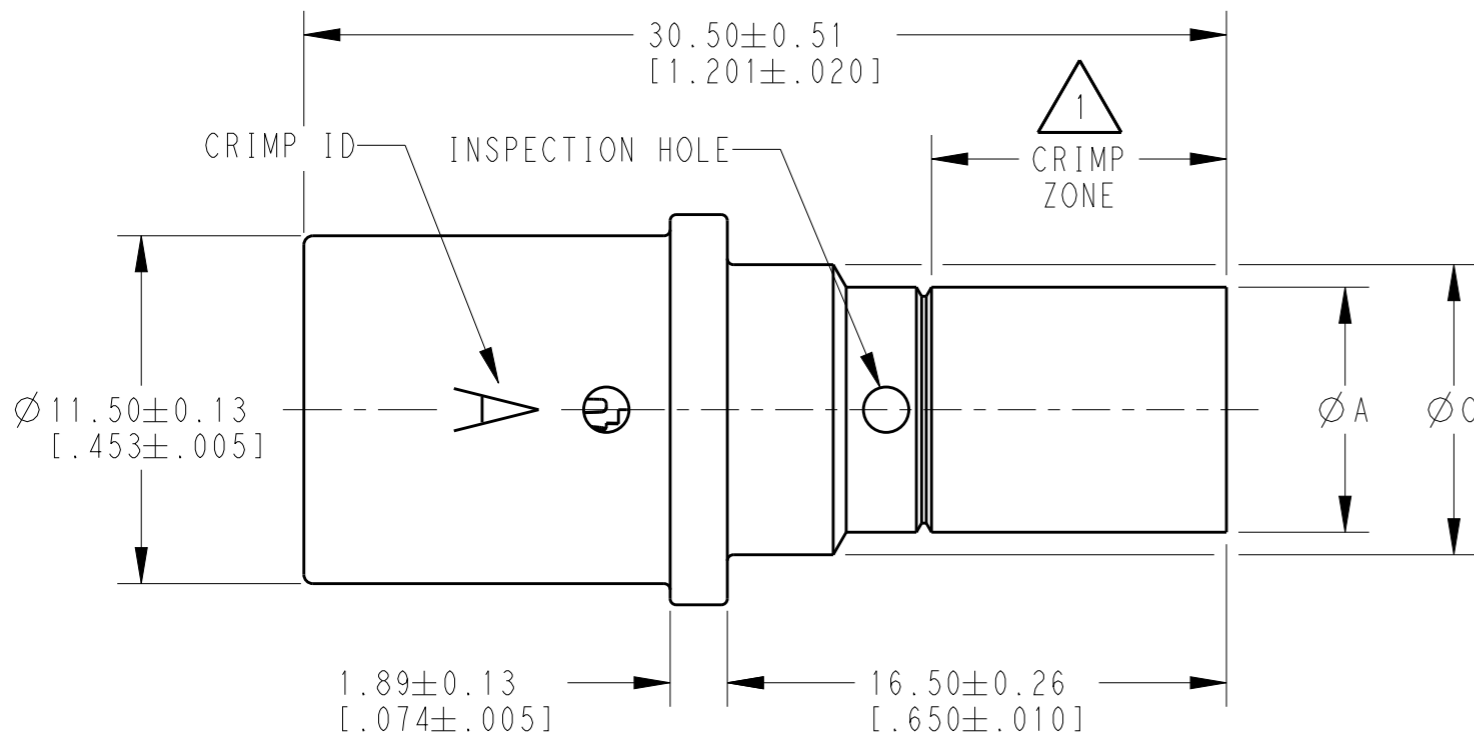





THIS DRAWING IS UNPUBLISHED  
 RELEASED FOR PUBLICATION 2015  
 © COPYRIGHT 2010 BY TE CONNECTIVITY ALL RIGHTS RESERVED.


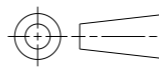


LOC	DIST	REVISIONS			
P	LTR	DESCRIPTION	DATE	DWN	APVD
	NC	NEW RELEASE PER E.O. P20459	05MAR2010	DM	RDR
	A	REVISED PER E.O. P20612	09SEP2010	DM	RDR
	A1	REVISED PER ECO-15-012830	17SEP2015	JA	DM

PART NUMBER	CRIMP ID	ØA ±.13 [.005]	ØB ±.13 [.005]	ØC ±.13 [.005]	CONDUCTOR WIRE SIZE REF 	WEIGHT REF GR [OZ]
SRK-SC-080-16-XX	A	8.10 [.319]	5.20 [.205]	9.59 [.378]	16mm <sup>2</sup> 6 AWG	12.53 [.442]
SRK-SC-080-20-XX	B	8.10 [.319]	5.80 [.228]	9.59 [.378]	5 AWG	11.91 [.420]
SRK-SC-080-25-XX	C	9.50 [.374]	6.90 [.272]	9.50 [.374]	25mm <sup>2</sup> 4 AWG	12.76 [.450]
SRK-SC-080-32-XX	D	11.30 [.445]	8.00 [.315]	9.59 [.374]	2 AWG	14.59 [.515]
SRK-SC-080-35-XX	E	12.00 [.472]	8.90 [.350]	9.59 [.374]	35mm <sup>2</sup>	14.55 [.513]



-  WHEN XX = 601: PLATING IS SILVER AND MAY TARNISH.
-  MATERIAL: SOCKET BODY & INSERT: COPPER.
-  FOR CRIMPING INFORMATION SEE DRAWING 8925-003-0000.

NOTES: UNLESS OTHERWISE SPECIFIED

THIS DRAWING IS A CONTROLLED DOCUMENT.		DWN 05MAR2010 DAVID MEYER	 TE Connectivity	
DIMENSIONS: mm [INCHES]		CHK 09SEP2010 DAVID MEYER		
TOLERANCES UNLESS OTHERWISE SPECIFIED:		APVD 09SEP2010 ROBIN REED	NAME CONTACT, SOCKET 8mm DIA SRK SERIES	
 0 PLC ± 1 PLC ± 2 PLC ±0.64 [.025] 3 PLC ± 4 PLC ± ANGLES ±0°30'0"		PRODUCT SPEC N/A	SIZE A3	
MATERIAL 		APPLICATION SPEC 8925-003-0000	CAGE CODE 4AFU8	DRAWING NO SRK-SC-080-16/35-XX
FINISH 		WEIGHT	RESTRICTED TO	SCALE 2:1
		Customer Drawing	SHEET 1 OF 1	REV A1

## X-ON Electronics

Largest Supplier of Electrical and Electronic Components

*Click to view similar products for [Automotive Connectors](#) category:*

*Click to view products by [TE Connectivity](#) manufacturer:*

Other Similar products are found below :

[003-018-000](#) [60403001](#) [60993906-B](#) [M902-2131](#) [M902-2161](#) [72.330.1035.1](#) [73.353.4028.0](#) [F119300-B](#) [F166900](#) [F258300-B](#) [F358300-B](#)  
[F407400](#) [F444110](#) [F487000](#) [F509500B-B](#) [827153-1](#) [8N1515-32-24P](#) [9-1326729-8](#) [925474-1](#) [928905-1](#) [964562-4](#) [968782-1](#) [GT17SA-8DS-](#)  
[HU](#) [98891-1012](#) [98947-1016](#) [12004147](#) [12004475-L](#) [12010290](#) [12010309-B](#) [12015454](#) [12020219-B](#) [12020308](#) [12041318-B](#) [12052225-L](#)  
[12052466](#) [12059125](#) [12064869](#) [12004327-B](#) [12010503-B](#) [12015308](#) [12015384](#) [12015909](#) [1-21030-1](#) [12041254](#) [12041318](#) [12047946-B](#)  
[12047957](#) [12047957-L](#) [12059473](#) [12066261](#)