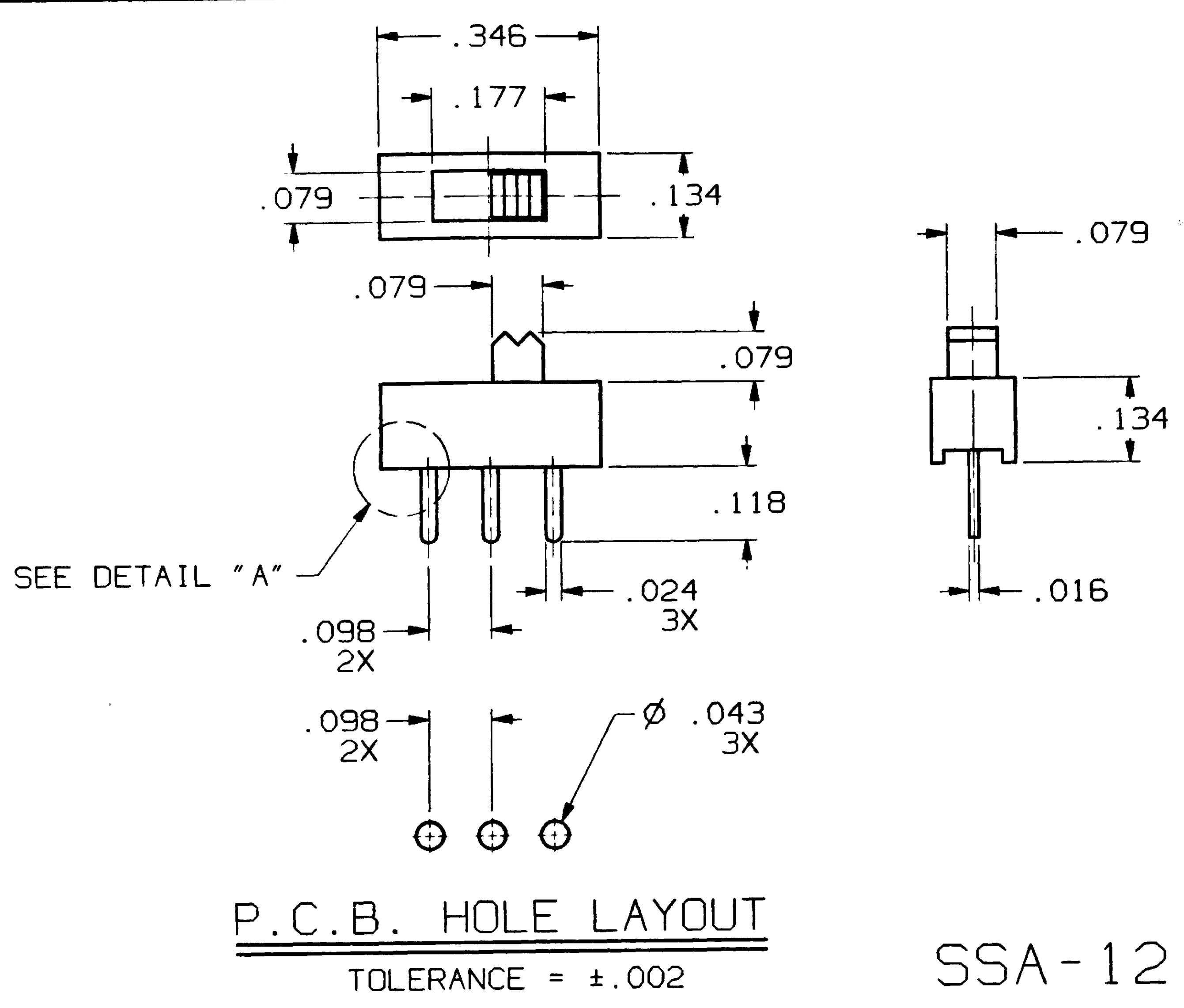
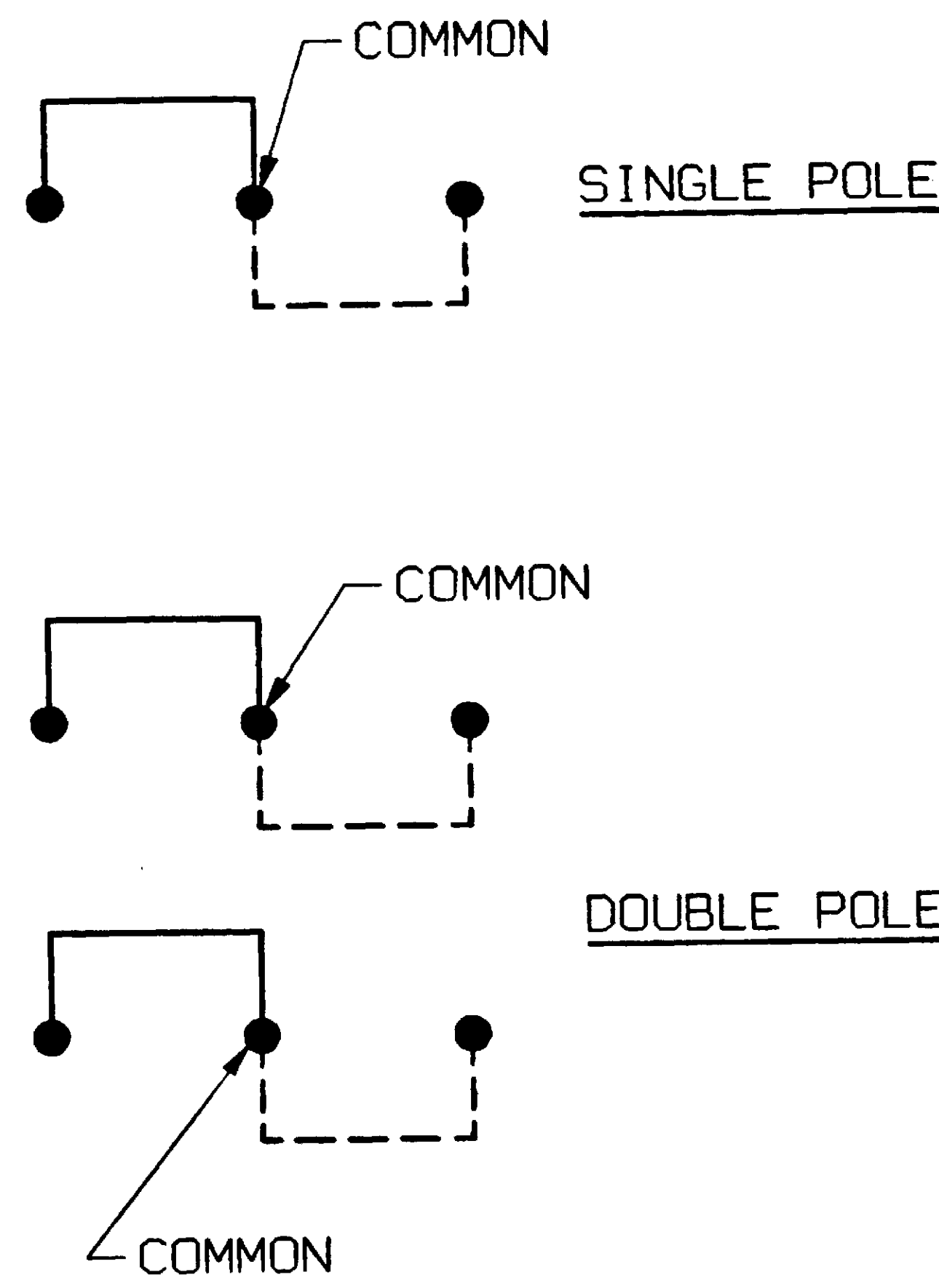


CONVERSION CHART	
INCH	MM
.002	0.05
.005	0.13
.010	0.25
.016	0.40
.024	0.69
.043	1.1
.079	2.00
.098	2.5
.118	3.0
.134	3.4
.138	3.5
.157	4.0
.161	4.1
.177	4.5
.217	5.5
.346	8.8
.354	9.0



**CONTACT DIAGRAM**



**SPECIFICATIONS:**

**MATERIALS:**  
CASE: POLYESTER.  
ACTUATOR: POLYAMIDE.  
MOVABLE CONTACT: SEE BELOW.  
STATIONARY CONTACT: SEE BELOW.  
TERMINALS: SEE BELOW.  
TERMINAL SEAL: EPOXY.

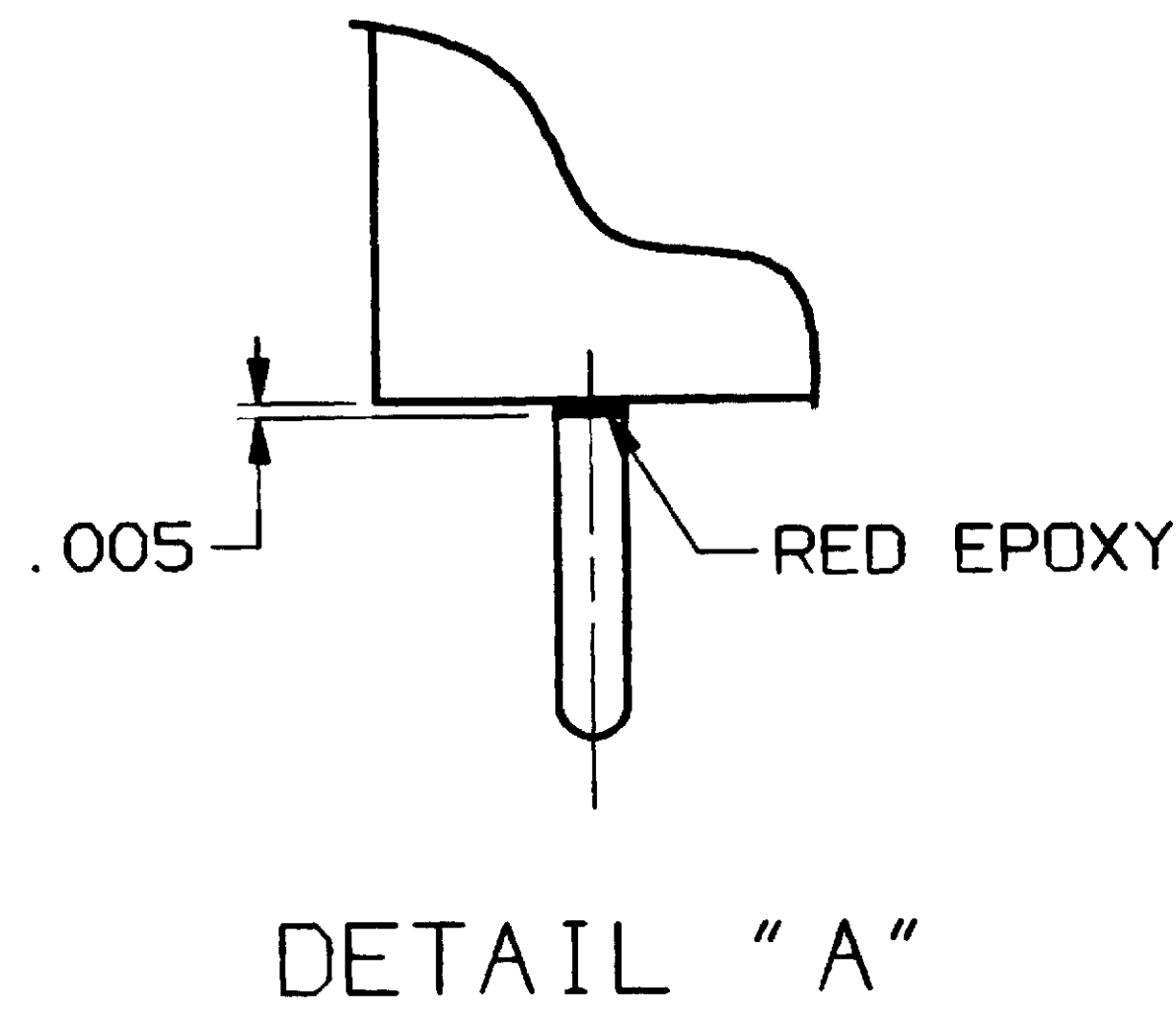
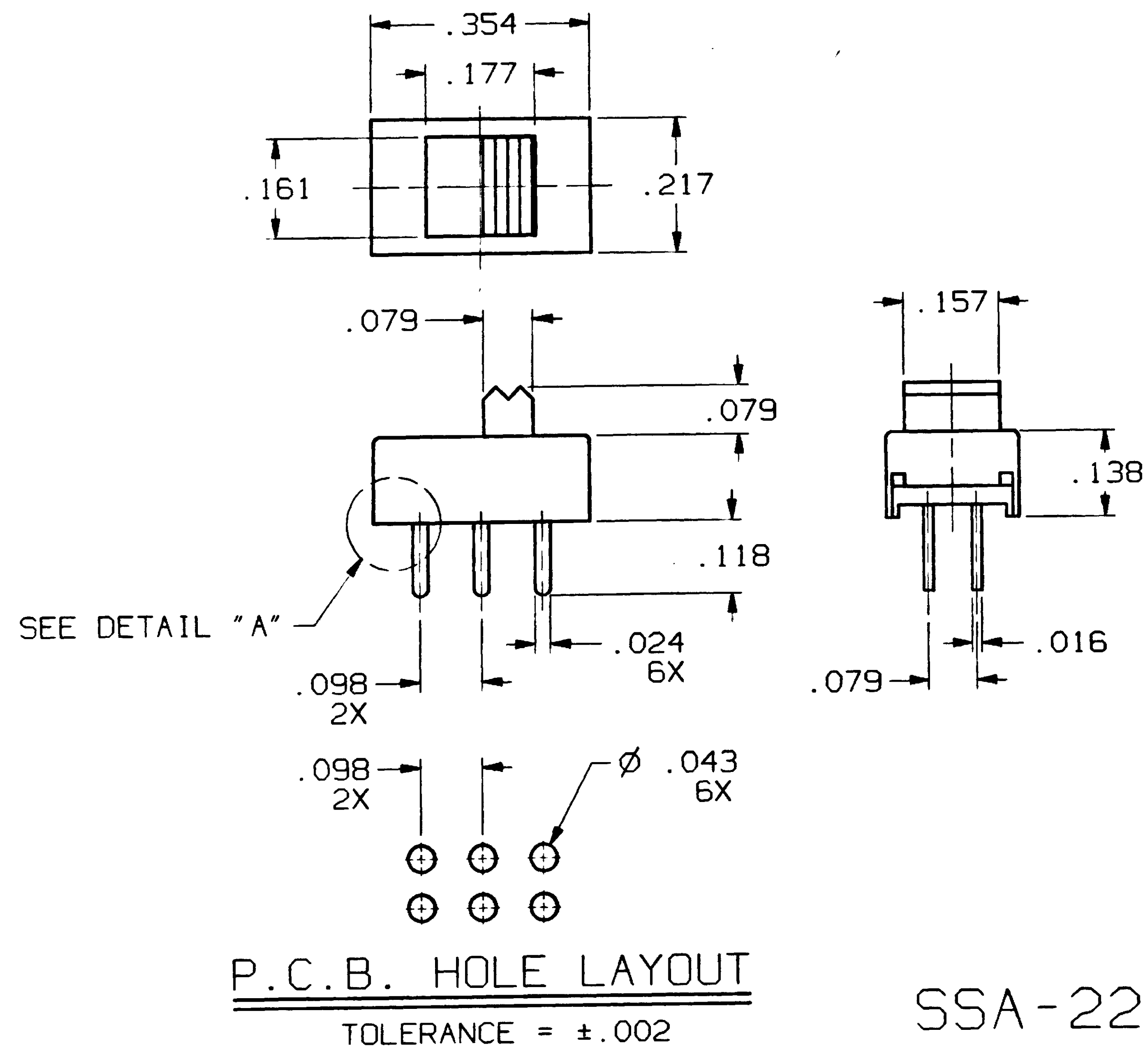
**ELECTRICAL:**  
CONTACT RATING: SILVER = 100mA @ 30 VDC.  
GOLD: = 0.4 VA MAX. @ 20 VDC OR PEAK AC.  
INITIAL CONTACT RESISTANCE: 30 MILLIOHMS MAX..  
INSULATION RESISTANCE: 100 MEGOHMS MIN.  
DIELECTRIC STRENGTH: 500 VOLTS RMS @ SEA LEVEL.  
LIFE EXPECTANCY: 10,000 CYCLES.

**MECHANICAL:**  
ACTUATION FORCE: 250g, ±100g.

**ENVIRONMENTAL:**  
OPERATING TEMPERATURE: -4°F TO +158°F (-20°C TO +70°C).  
STORAGE TEMPERATURE: -40°F TO +194°F (-40°C TO +90°C).

**NOTES:**

1. INTERPRET DRAWING PER ASME Y14.5M-1994.



MODEL — SSA - XX X

MATERIAL OPTION FOR MOVABLE CONTACT, STATIONARY CONTACT AND TERMINALS.

BLANK = SILVER OVER NICKEL OVER COPPER ALLOY.  
G = GOLD OVER NICKEL OVER COPPER ALLOY

12 = SPDT  
22 = DPDT

THIS IS A C.A.D. GENERATED DRAWING. DO NOT MAKE MANUAL REVISIONS TO MASTER.



TOLERANCES (EXCEPT AS NOTED)  
ANGULAR = ±1°  
DECIMAL .XX = ±  
DECIMAL .XXX = ±.010  
DECIMAL .XXXX = ±

**AUGAT CONFIDENTIAL**  
This document contains information which is the exclusive property of Augat Inc. Distribution, reproduction or use by others is not permitted without the expressed written consent of Augat Inc.

A	REVISED PER ECO-11-005294	RK	HMR	13APR11
LTR	REVISION RECORD	DR	CHK	DATE

**OUTLINE DRAWING**  
SPECIFICATIONS ARE SUBJECT TO CHANGES WITHOUT NOTICE

UNLESS OTHERWISE SPECIFIED DIMENSIONS ARE IN INCHES DO NOT SCALE PRINT		ORIGINAL DATE OF DRAWING: 11-24-82			
FILE NAME: 804330UT	DIRECTORY: SLD5WCH	DRAWN: BEV EICHKORN	DATE: 11-24-82		
MATERIAL: SEE SPECIFICATIONS		CHECKED: B.BUCKHEIT	DATE: 12-7-82	TITLE: <b>OUTLINE DRAWING</b>	
FINISH: SEE SPECIFICATIONS		APPROVED: A.S.GREEN	DATE: 12-10-82	SLIDE - LOW PROFILE (SSA-12, SSA-22 SERIES)	
CODE IDENT. NO. 91506		DWG. SIZE C	DWG. NO. 1-1437575-4		REV. A
NEXT ASSY:		PRODUCT CODE:		SCALE: SHEET 1 OF 1	

## X-ON Electronics

Largest Supplier of Electrical and Electronic Components

*Click to view similar products for [Slide Switches](#) category:*

*Click to view products by [TE Connectivity](#) manufacturer:*

Other Similar products are found below :

[6-1437581-1](#) [M43R](#) [MHS123K15D](#) [MHS133K](#) [MHSS1104A](#) [MMD](#) [GH49S010001](#) [MSS12A](#) [EPS1PC1](#) [1825074-1](#) [1825160-3](#) [1825167-2](#)  
[1825289-7](#) [K232CB](#) [25139NLDB](#) [25449NAH](#) [SLB1240R45](#) [1825078-1](#) [1825080-4](#) [1825269-1](#) [1825270-2](#) [STS141RA04](#) [T2215BEN506](#)  
[GH46P000001](#) [GH46W000001](#) [GH49P010001](#) [25339NA](#) [M42A](#) [TG36P000000](#) [TG36P000050](#) [AYZ0202AG](#) [47227LFE](#) [49331L](#) [50208L](#)  
[L203091MS02Q](#) [4-1437581-7](#) [X2225CR-437W](#) [49329L](#) [1101M1S3ZB8E2](#) [1-1437581-1](#) [MSS2225G04](#) [TG39W000000](#) [1825075-1](#)  
[MSS42G](#) [TG36WS80065](#) [T105S1CWZBE](#) [SLB124145](#) [SLB1280R5](#) [SLB1340R45](#) [25136NLDB](#)