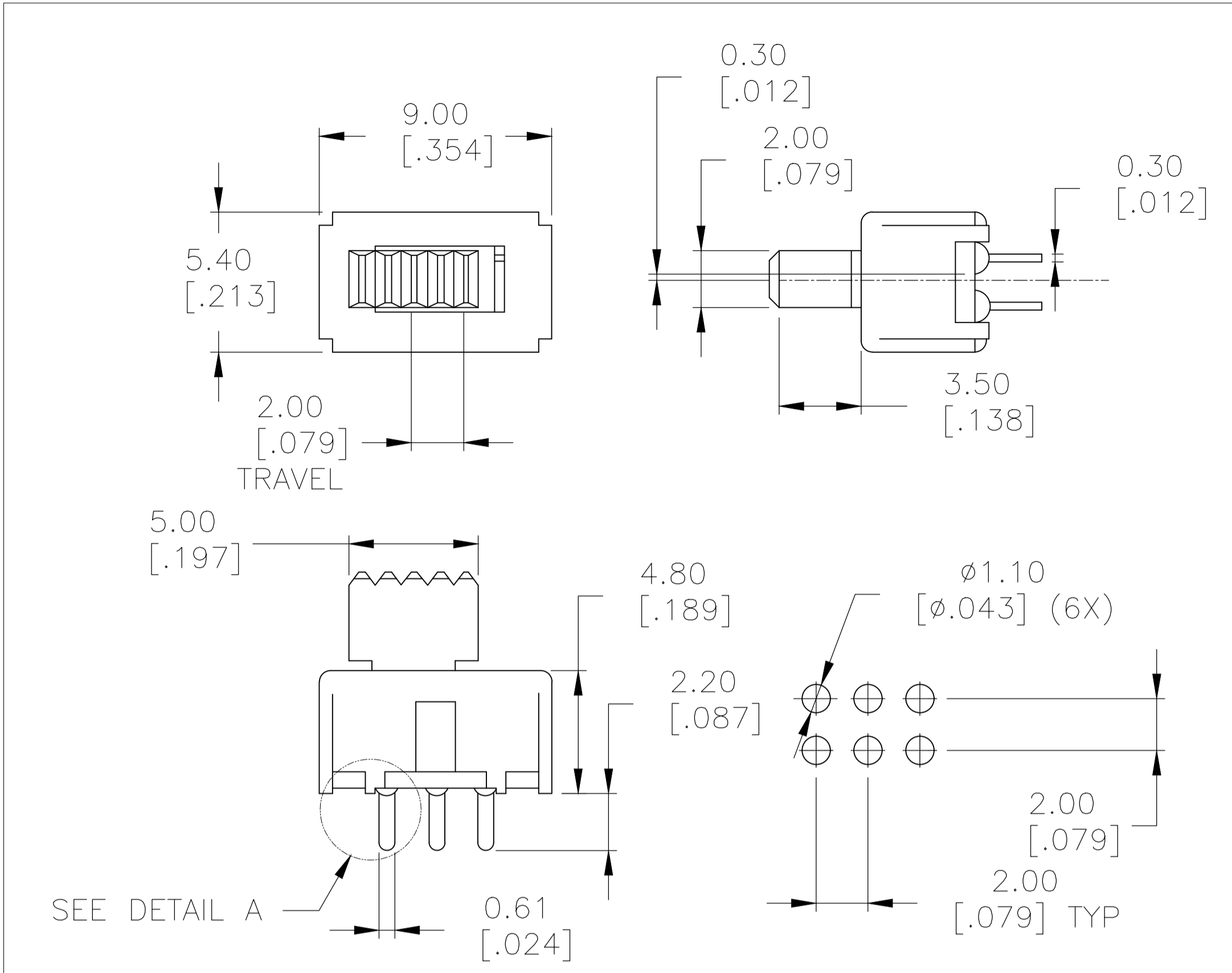
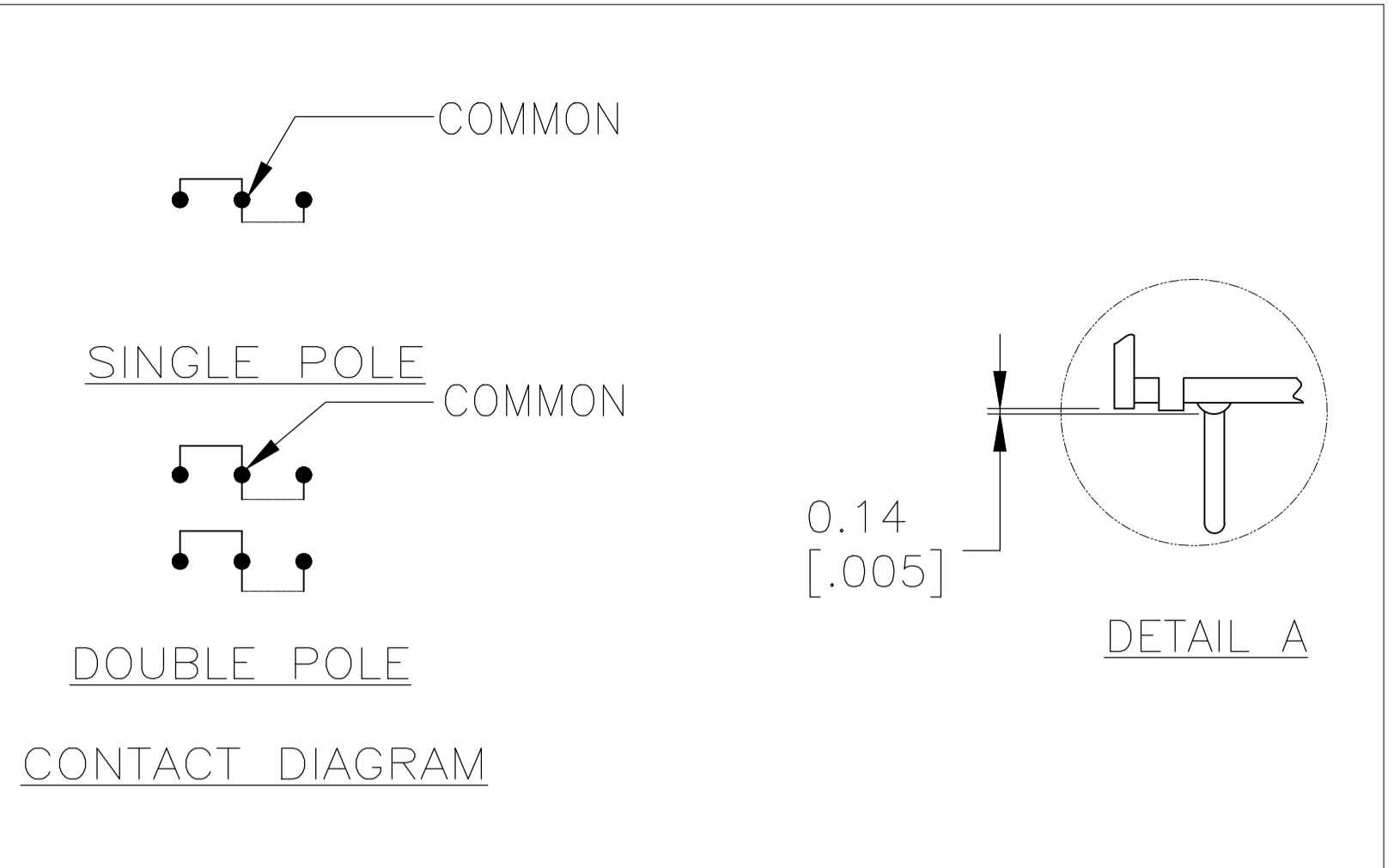


REVISIONS					
P	LTR	DESCRIPTION	DATE	DMN	APVD
C		REVISED PER ECR-14-001435	21JUL2016	RS	PO
D		REVISED PER ECO-16-018096	19JUL2017	RK	PO



RECOMMENDED HOLE LAYOUT
 TOLERANCE ± 0.002 UNLESS OTHERWISE NOTED

SSB 22



- NOTES:
- ALL MATERIALS AND FINISHES SHALL COMPLY WITH EU DIRECTIVE 2002/95/EC OF 27JAN2003 (ROHS).
 - SEE SHEET 2 OF 2 FOR SSB42 AND SSB**R PART NUMBERS.
- \triangle OBSOLETE

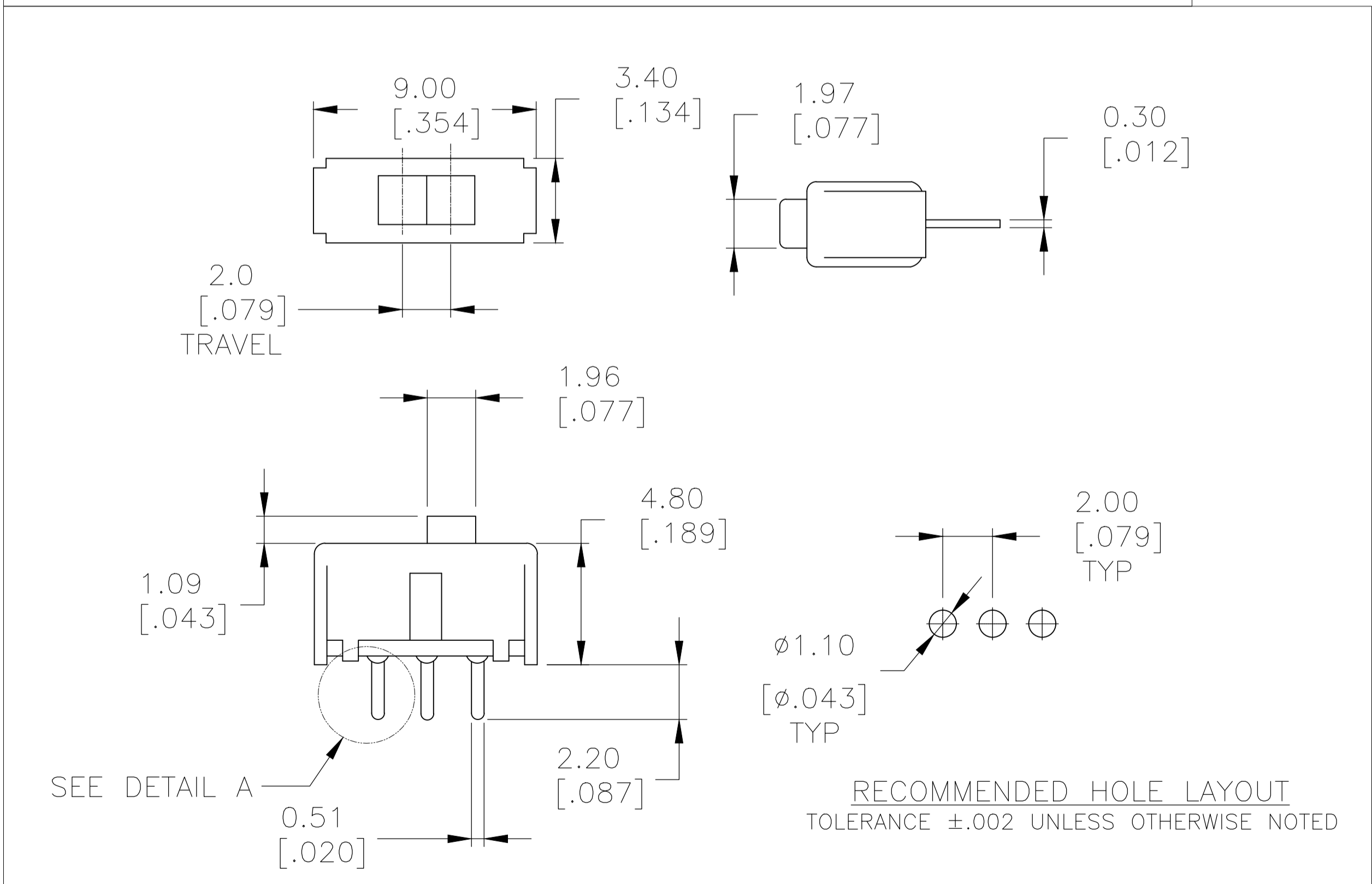
SPECIFICATIONS:
 MAKE BEFORE BREAK

MATERIALS:
 FRAME, STEEL-PLATE TIN OVER NICKEL
 TERMINAL BOARD, PHENOLIC, NATURAL
 ACTUATOR, POM, UL94-HB, BLACK
 MOVING CONTACT, COPPER ALLOY-PLATE SILVER OR GOLD OVER NICKEL
 FIXED CONTACT/TERMINAL, COPPER ALLOY-PLATE SILVER OR GOLD OVER NICKEL

ELECTRICAL:
 CONTACT RATING, (SILVER)100mA@30VDC, (GOLD) .4VA @ 20V DC
 INITIAL CONTACT RESISTANCE, 30 MILLIOHMS MAX
 FINAL CONTACT RESISTANCE, 100 MILLIOHMS MAX
 INSULATION RESISTANCE, 100 MEGOHMS MIN.
 DIELECTRIC STRENGTH, 500 V AC for 1 MINUTE

MECHANICAL:
 ACTUATION FORCE, 250 +/-150 GRAMS
 ACTUATION TRAVEL, .079
 LIFE EXPECTANCY, 10,000 CYCLES

ENVIRONMENTAL:
 OPERATING TEMPERATURE, -20 to +85 DEGREES C
 STORAGE TEMPERATURE, -40 to +100 DEGREES C
 HUMIDITY AND TEMPERATURE CYCLING PER EIA-364-31B, METHOD III (SILVER)
 MIXED FLOWING GAS PER EIA-364-65A, CLASS IIIA, 20 DAYS (GOLD)
 THERMAL SHOCK, PER EIA-364-32C, -40 to +100 DEGREES C
 SOLDERABILITY, PER EIA-364-52, CLASS 2, CATEGORY 1, 95% MINIMUM COVERAGE
 RESISTANCE TO SOLDER HEAT,
 PER 109-202, CONDITION B (240 +/-5 C FOR 10 +2/-0 SECONDS)



RECOMMENDED HOLE LAYOUT
 TOLERANCE ± 0.002 UNLESS OTHERWISE NOTED

SSB - 12

	1 2 3 4 5 6 7 8 9 10 11 12	1 2 3 4 5 6 7 8 9 10 11 12				
\triangle	1-2, 4-5 7-8, 10-11	2-3, 5-6 8-9, 11-12	GOLD	4PDT	SSB42G	2-1437575-9
\triangle	1-2, 4-5 7-8, 10-11	2-3, 5-6 8-9, 11-12	SILVER	4PDT	SSB42	2-1437575-8
\triangle	1-2, 4-5 1-2, 4-5	2-3, 5-6 2-3, 5-6	GOLD SILVER	DPDT DPDT	SSB22RG SSB22R	2-1437575-5 2-1437575-4
\triangle	1-2, 4-5 1-2, 4-5	2-3, 5-6 2-3, 5-6	GOLD SILVER	DPDT DPDT	SSB22G SSB22	2-1437575-3 2-1437575-2
\triangle	1-2 1-2	2-3 2-3	GOLD SILVER	SPDT SPDT	SSB12RG SSB12R	2-1437575-1 2-1437575-0
\triangle	1-2 1-2	2-3 2-3	GOLD SILVER	SPDT SPDT	SSB12G SSB12	1-1437575-9 1-1437575-8
	LEFT	RIGHT	PLATING	TYPE	ALCO P/N	TE P/N

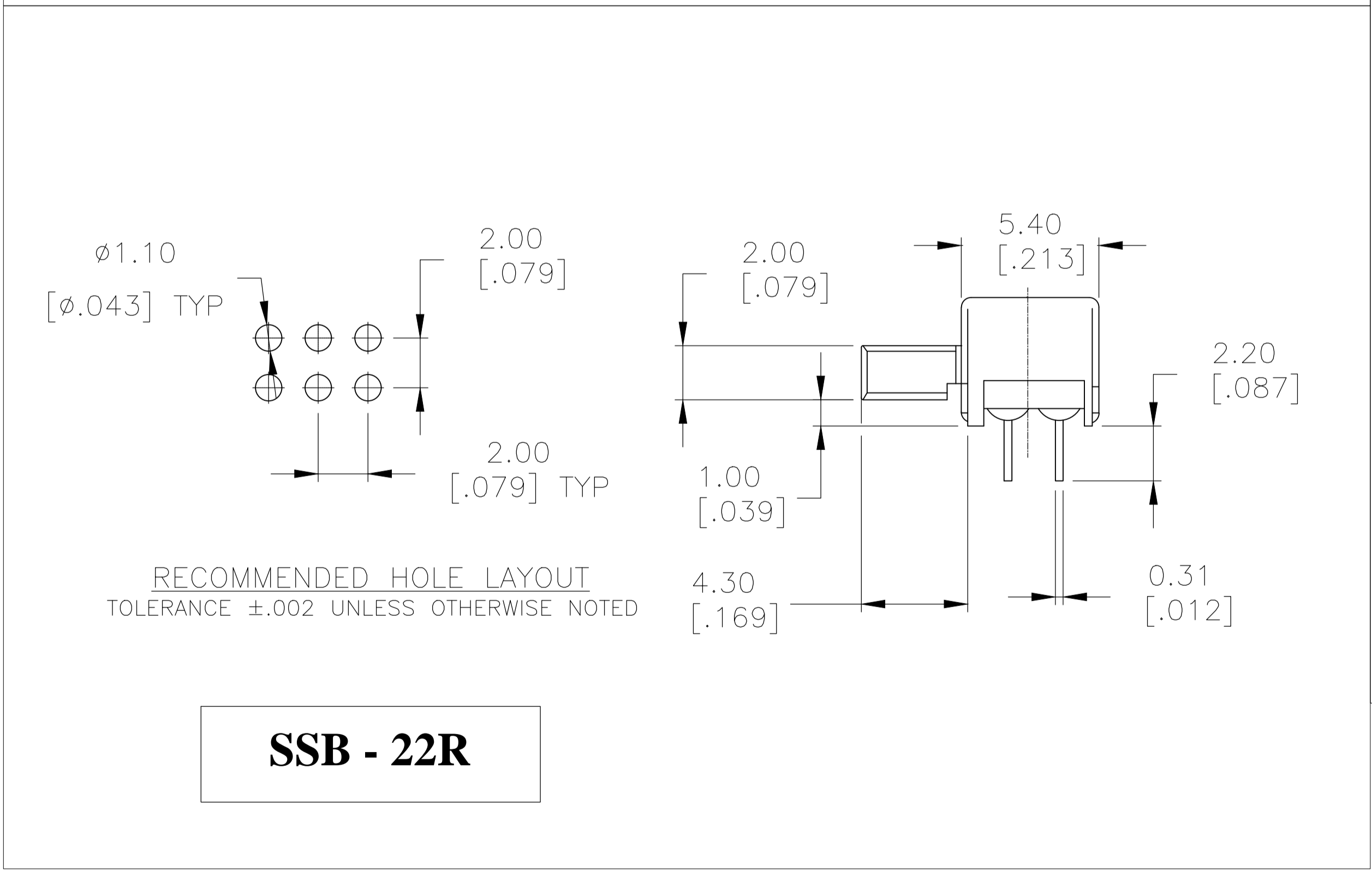
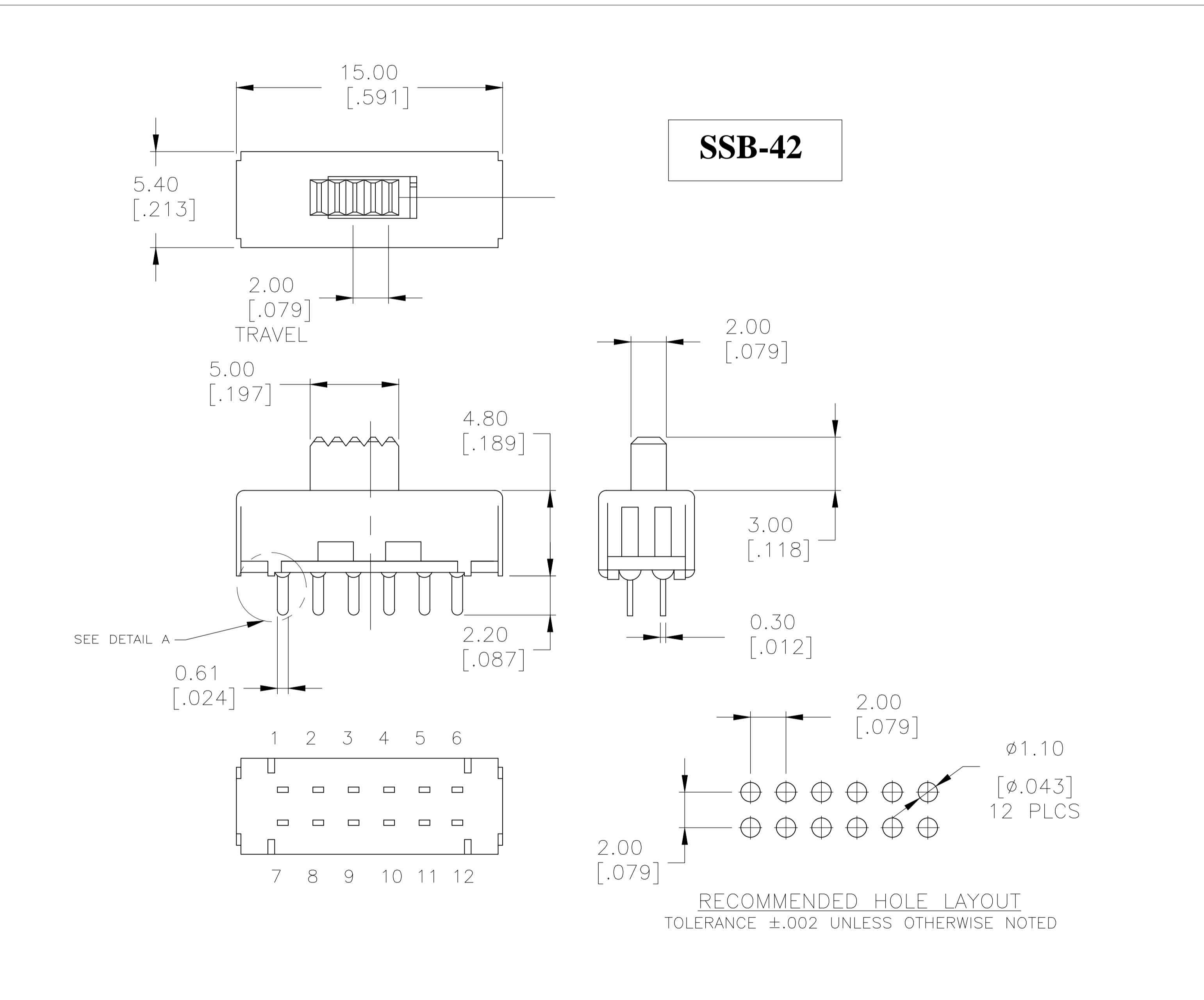
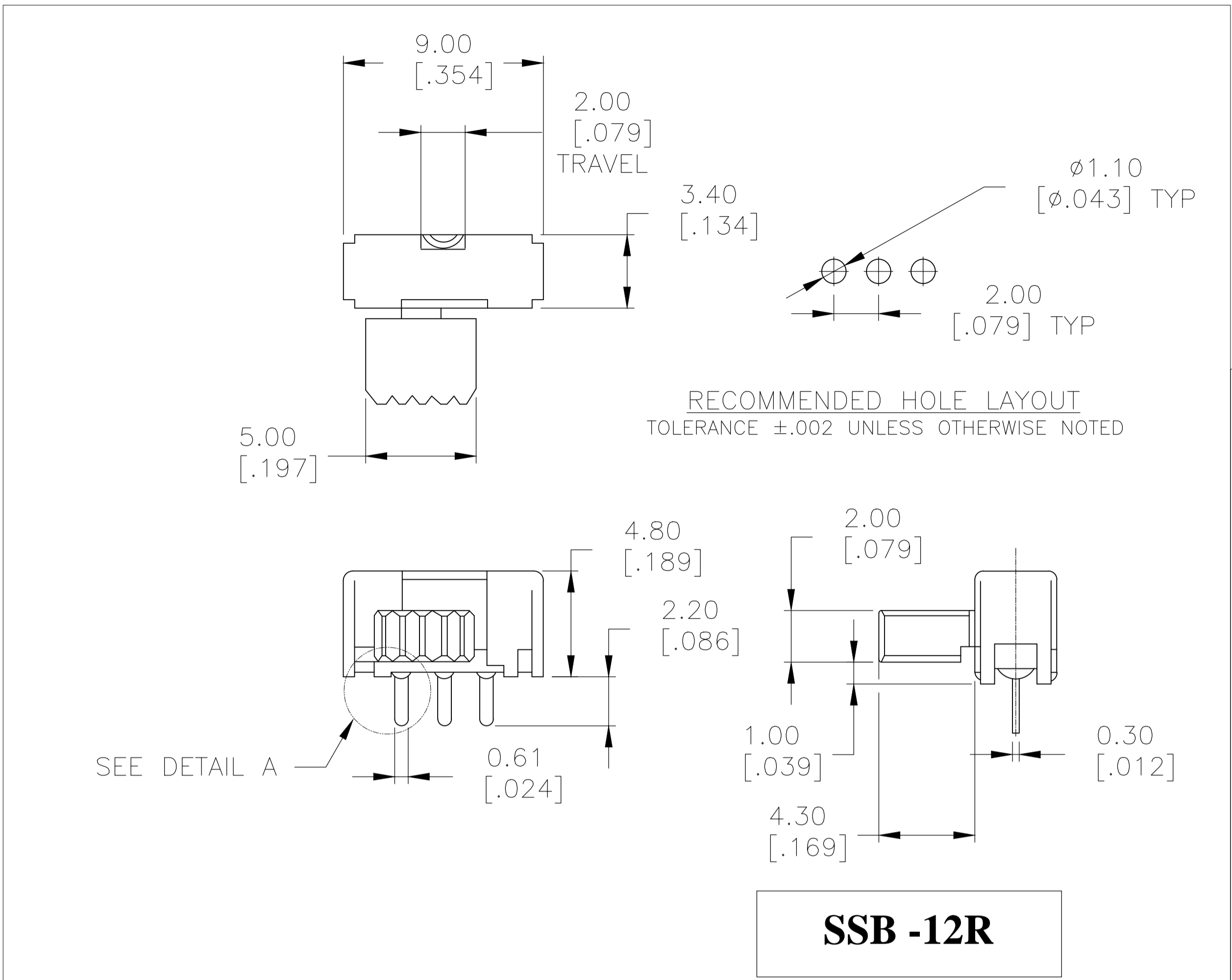
THIS DRAWING IS A CONTROLLED DOCUMENT. DIN B.S.VISWESWARA 25SEP05
 DIMENSIONS: mm [INCHES] TOLERANCES UNLESS OTHERWISE SPECIFIED:
 0 PLC \pm -
 1 PLC \pm -
 2 PLC \pm 0.25[.010]
 3 PLC \pm -
 4 PLC \pm -
 ANGLES \pm 1'

MATERIAL: SEE ABOVE FINISH: -
 WEIGHT: A1 00779
 CUSTOMER DRAWING

APVD: - NAME: -
 PRODUCT SPEC: -
 APPLICATION SPEC: -
 SIZE: A1 CAGE CODE: - DRAWING NO: 2-1437575-3 RESTRICTED TO: -
 SCALE: 6:1 SHEET: 1 OF 2 REV: D

STE TE Connectivity
 SLIDE SWITCH, LOW PROFILE
 SSB SERIES

REVISIONS				
P	LTR	DESCRIPTION	DATE	APPD
-	-	SEE SHEET 1	-	-



THIS DRAWING IS A CONTROLLED DOCUMENT.		DIN B.S.VISWESWARA 25SEP05	STE TE Connectivity	
DIMENSIONS: mm [INCHES]	TOLERANCES UNLESS OTHERWISE SPECIFIED:	APVD	NAME	RESTRICTED TO
	0. PLC ± -	PRODUCT SPEC	SLIDE SWITCH, LOW PROFILE SSB SERIES	
	1. PLC ± -	APPLICATION SPEC		
	2. PLC ± 0.25[.010]		SIZE CAGE CODE DRAWING NO	
	3. PLC ± -		A1 00779 C=2-1437575-3	
	4. PLC ± -		WEIGHT	
	ANGLES ± 1°		CUSTOMER DRAWING	
MATERIAL SEE ABOVE	FINISH -		SCALE 6:1	SHEET 2 OF 2 REV D

X-ON Electronics

Largest Supplier of Electrical and Electronic Components

Click to view similar products for [Slide Switches](#) category:

Click to view products by [TE Connectivity](#) manufacturer:

Other Similar products are found below :

[6-1437581-1](#) [M43R](#) [MHSS1104A](#) [MMD](#) [GH36W010001](#) [GH49S010001](#) [1437576-8](#) [EPS1PC1](#) [1825074-1](#) [1825160-3](#) [1825167-2](#)
[25139NLDB](#) [25449NAH](#) [L101011ML04B](#) [SLB1240R45](#) [SLSA12004](#) [1825078-1](#) [1825080-4](#) [1825081-1](#) [1825269-1](#) [1825270-2](#)
[STS141RA04](#) [T2215BEN506](#) [GF-124-0204](#) [GH46P000001](#) [GH46W000001](#) [GH49P010001](#) [25339NA](#) [25436NLDH](#) [CST91246FK](#)
[TG36P000000](#) [TG36P000050](#) [47227LFE](#) [49331L](#) [MHSS1105A](#) [50208L](#) [L202091MS02Q](#) [4-1437581-7](#) [X2225CR-437W](#) [48BFSP3M2QT](#)
[49329L](#) [1101M1S3ZB8E2](#) [1-1437581-1](#) [EG1218REDACTUATOR](#) [TG39W000000](#) [1825075-1](#) [TG36WS80065](#) [T105S1CWZBE](#)
[SLB1280R5](#) [25136NLDB](#)