

THIS DRAWING IS UNPUBLISHED. RELEASED FOR PUBLICATION
 © COPYRIGHT BY TYCO ELECTRONICS CORPORATION. ALL RIGHTS RESERVED.

LOC		DIST		REVISIONS			
P	LTR	DESCRIPTION	DATE	DWN	APVD		
AD	00	B	ECO-06-000904	16OCT2007	RB	MS	

SPECIFICATIONS
MAKE-BEFORE-BREAK

MATERIALS:
 ACTUATOR, BASE & COVER- NYLON 66 UL94V-0, BLACK
 TERMINAL BOARD- PHENOLIC, NATURAL
 TERMINAL/FIXED CONTACT- COPPER ALLOY- SILVER OVER NICKEL PLATE
 MOVING CONTACT- COPPER ALLOY- SILVER OVER NICKEL PLATE
 SEAL- EPOXY

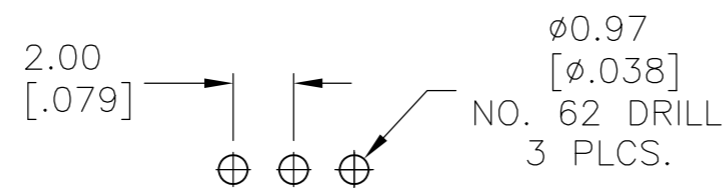
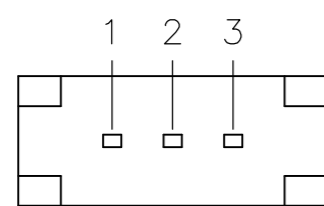
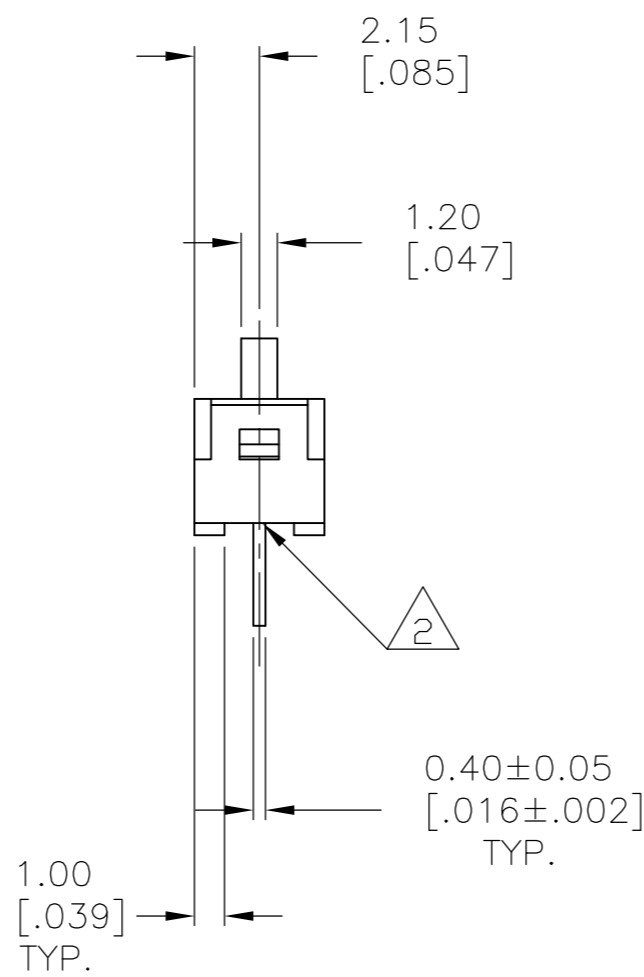
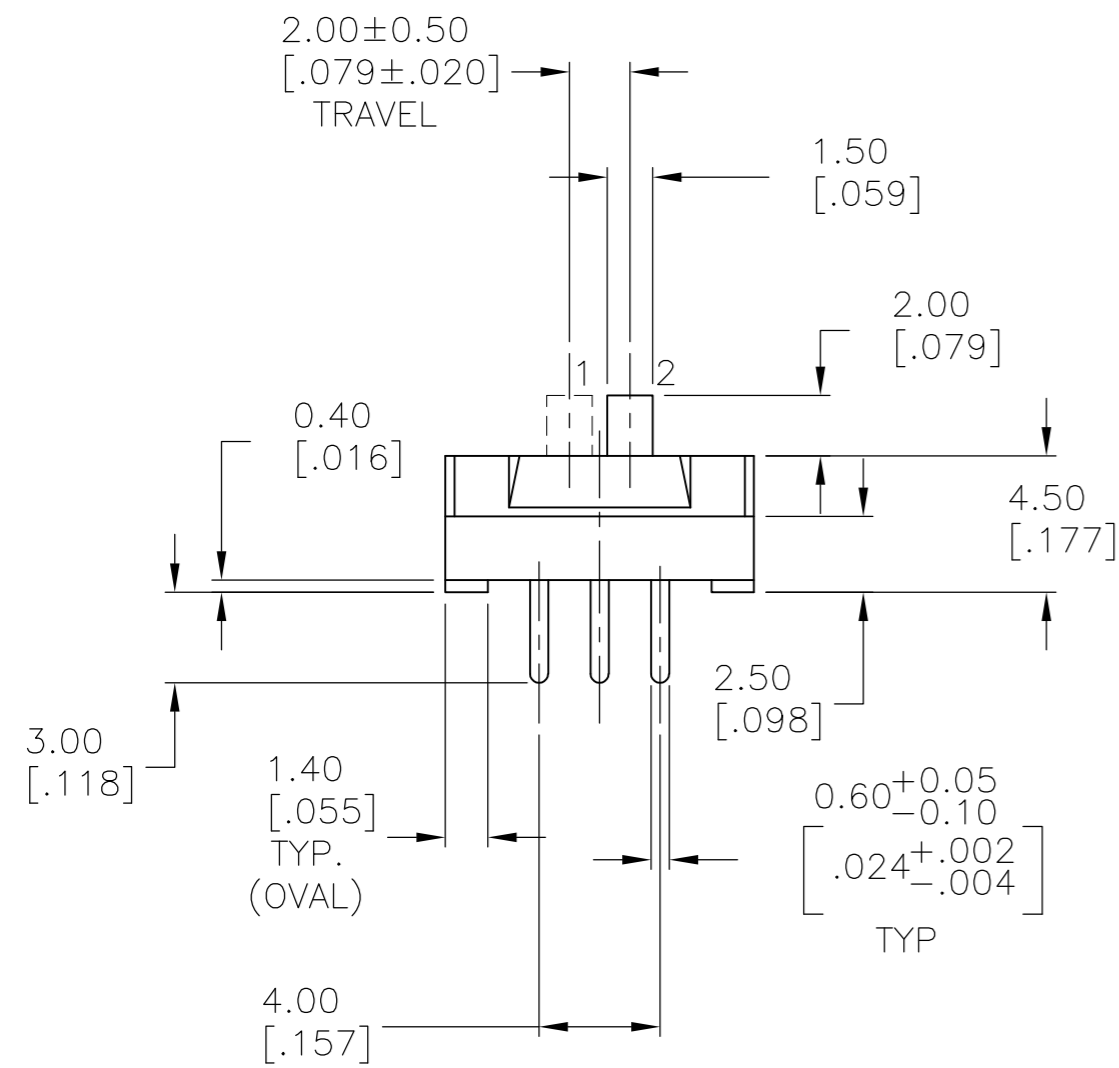
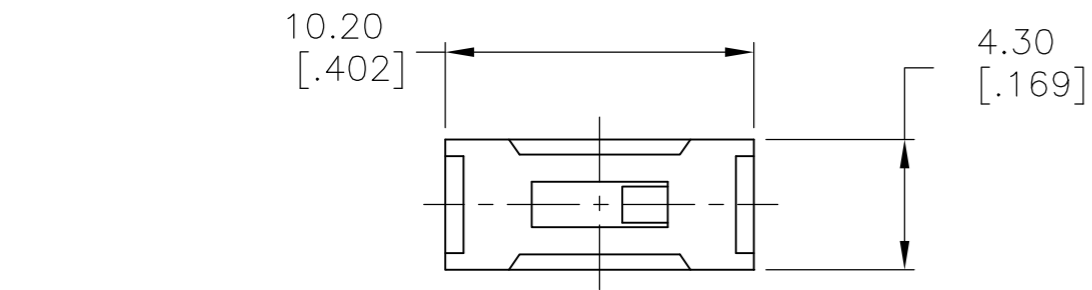
ELECTRICAL:
 CONTACT RATING- 100mA@12V DC
 INITIAL CONTACT RESISTANCE- 30MILLIOHM MAX.
 FINAL CONTACT RESISTANCE- 100MILLIOHM MAX. (AFTER TEST)
 INSULTAION RESISTANCE- 100MEGOHMS MIN.
 DIELECTRIC STRENGTH- 500V RMS@SEA LEVEL
 LIFE EXPECTANCY- 10,000 CYCLES MIN.

MECHANICAL:
 ACTUATION FORCE- 250 +200/-150 GRAMS
 TRAVEL- 2.00±0.50 [.079±.020]

ENVIRONMENTAL:
 OPERATING TEMPERATURE- -20° TO +70°C
 STORAGE TEMPERATURE- -30° TO +70°C
 RESISTANCE TO SOLDER HEAT- 260° FOR 5 SEC. PER 109-202, CONDITION C
 SOLDERABILITY PER EIA-364-52, CLASS 2, CATEGORY 1, 95% MIN COVERAGE

NOTES:
 1. ALL MATERIALS AND FINISHES SHALL COMPLY WITH EU DIRECTIVE 2002/95/EC OF 27JAN2003 (ROHS)

- △ ANTI SOLDER WICK SEAL AT TERMINAL TO BOARD INTERFACE
- 3. ALL TESTING COMPLETED PER 202-2469 TEST SPECIFICATION



PCB HOLE LAYOUT
 TOLERANCE ON P.C. LAYOUT DIMENSIONS TO BE : ±.002

PART NO.	MODEL NO.	POS. 1	POS. 2
1825280-1	SSJ1204		

TERMINALS CONNECTED WHEN SLIDER IS IN THE POSITION SHOWN.
 NOTE: TERMINAL NUMBERS ARE FOR REFERENCE ONLY AND DO NOT APPEAR ON SWITCHES.

THIS DRAWING IS A CONTROLLED DOCUMENT.		DWN: SUDHEER	16MAY06	Tyco Electronics Corporation Harrisburg, Pa 17105-3608	
DIMENSIONS: mm [INCHES]		CHK: M. SARVER	APVD: M. SARVER	NAME: LOW PROFILE SLIDE SWITCH (SSJ12 SERIES)	
TOLERANCES UNLESS OTHERWISE SPECIFIED:		PRODUCT SPEC		APPLICATION SPEC	
0 PLC ± -		1 PLC ± -		2 PLC ± -	
3 PLC ± 0.25[.010]		4 PLC ± -		ANGLES ± 1°	
MATERIAL: SEE SPECIFICATIONS		FINISH: -		WEIGHT: -	SCALE: A2 00779 C=1825280
CUSTOMER DRAWING		SCALE: 4:1		SHEET: 1 OF 1	REV: B

X-ON Electronics

Largest Supplier of Electrical and Electronic Components

Click to view similar products for [Slide Switches](#) category:

Click to view products by [TE Connectivity](#) manufacturer:

Other Similar products are found below :

[6-1437581-1](#) [M43R](#) [MHS123K15D](#) [MHS133K](#) [MHSS1104A](#) [MMD](#) [GH49S010001](#) [MSS12A](#) [EPS1PC1](#) [1825074-1](#) [1825160-3](#) [1825167-2](#)
[1825289-7](#) [K232CB](#) [25139NLDB](#) [25449NAH](#) [SLB1240R45](#) [1825078-1](#) [1825080-4](#) [1825269-1](#) [1825270-2](#) [STS141RA04](#) [T2215BEN506](#)
[GH46P000001](#) [GH46W000001](#) [GH49P010001](#) [25339NA](#) [M42A](#) [TG36P000000](#) [TG36P000050](#) [AYZ0202AG](#) [47227LFE](#) [49331L](#) [50208L](#)
[L203091MS02Q](#) [4-1437581-7](#) [X2225CR-437W](#) [49329L](#) [1101M1S3ZB8E2](#) [1-1437581-1](#) [MSS2225G04](#) [TG39W000000](#) [1825075-1](#)
[MSS42G](#) [TG36WS80065](#) [T105S1CWZBE](#) [SLB124145](#) [SLB1280R5](#) [SLB1340R45](#) [25136NLDB](#)