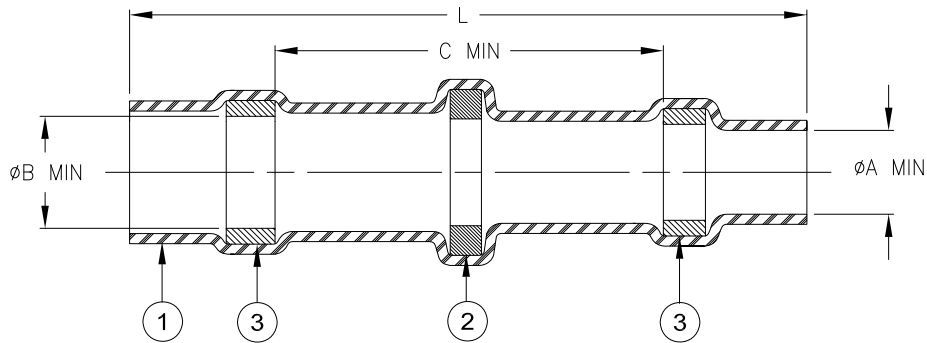


CUSTOMER DRAWING



Product Name	Product Dimensions				Cable Dimensions					Qty: Item 2
	L±1.75 [L±0.070]	øA min	øB min	C min	D max	øE min	øF min	øG max	J±0.75 [J±0.030]	
ST58-1-00	16.50 [0.650]	1.90 [0.075]	2.65 [0.105]	8.25 [0.325]	2.65 [0.105]	0.90 [0.035]	0.50 [0.020]	1.90 [0.075]	7.50 [0.295]	1
ST58-2-00	16.50 [0.650]	2.65 [0.105]	3.68 [0.145]	8.25 [0.325]	3.68 [0.145]	1.40 [0.055]	0.72 [0.030]	2.65 [0.105]	7.50 [0.295]	1
ST58-3-00	16.50 [0.650]	4.30 [0.170]	5.08 [0.200]	8.25 [0.325]	5.08 [0.200]	2.15 [0.085]	1.25 [0.050]	4.30 [0.170]	7.50 [0.295]	1
ST58-4-00	19.10 [0.750]	5.95 [0.235]	6.45 [0.255]	8.25 [0.325]	6.45 [0.255]	3.30 [0.130]	1.80 [0.070]	5.95 [0.235]	7.50 [0.295]	1
ST58-5-00	19.10 [0.750]	7.00 [0.275]	7.60 [0.300]	8.25 [0.325]	7.60 [0.300]	4.30 [0.170]	2.50 [0.100]	7.00 [0.275]	7.50 [0.295]	1
ST58-7-00	27.90 [1.098]	10.80 [0.425]	11.65 [0.459]	13.35 [0.526]	11.65 [0.459]	5.70 [0.224]	4.30 [0.169]	10.80 [0.425]	9.50 [0.375]	2
ST58-8-00	27.90 [1.098]	13.35 [0.526]	13.84 [0.545]	13.35 [0.526]	13.84 [0.545]	8.90 [0.350]	6.35 [0.250]	13.35 [0.526]	9.50 [0.375]	3

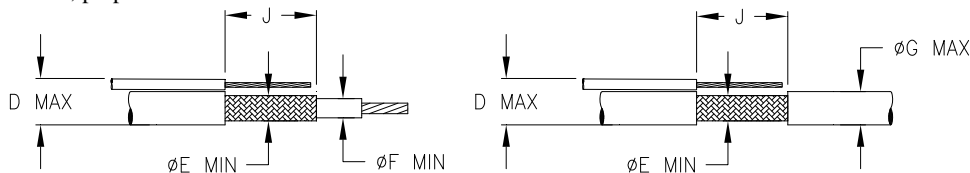
MATERIALS

- INSULATION SLEEVE: Heat-shrinkable, transparent blue, radiation cross-linked modified polyvinylidene fluoride.
- SOLDER PREFORM WITH FLUX. Qty: see table
 SOLDER: TYPE Sn42Bi58 per ANSI / J-STD-006.
 FLUX: TYPE ROL1 per ANSI / J-STD-004.
- MELTABLE RINGS: Stabilized thermoplastic. Color: size 1 to 5 = blue, size 7 & 8 = one blue and one clear.

APPLICATION

- These parts are designed to provide an environment protected shield terminations on cables, rated for 105°C minimum, meeting the dimensional criteria listed, having tin or silver-plated shields.
- When installed per Tyco Electronics / Raychem process standard RCPS-100-70, assemblies will meet requirements of Tyco Electronics / Raychem Specification RT-1404.
- Temperature range: -55°C to +125°C.

For best results, prepare the cable as shown:



		Raychem Devices	TITLE: SOLDERSLEEVE SHIELD TERMINATOR, LOW TEMPERATURE, RoHS COMPLIANT			
Unless otherwise specified dimensions are in millimeters. [Inches dimensions are shown in brackets]			DOCUMENT NO.: ST58-X-00			
TOLERANCES: 0.00 N/A 0.0 N/A 0 N/A	ANGLES: N/A ROUGHNESS IN MICRON	Tyco Electronics reserves the right to amend this drawing at any time. Users should evaluate the suitability of the product for their application.	REV.:	DATE: January 18, 2018		
DRAWN BY: M. FORONDA	CAGE CODE: 06090	REPLACES: D060072	ECO NUMBER: ECO-18-000986	SCALE: ----	SIZE: A	SHEET: 1 of 1

© 2005-2018 TE Connectivity Corporation. All Rights Reserved.

If this document is printed it becomes uncontrolled. Check for the latest revision.

X-ON Electronics

Largest Supplier of Electrical and Electronic Components

Click to view similar products for [Solder & Shield Tubing](#) category:

Click to view products by [TE Connectivity](#) manufacturer:

Other Similar products are found below :

[CTC-0062-20-9/5-9](#) [CTC-0062-22-9/5-9](#) [680441-000](#) [D-150-0331CS2902](#) [D-181-1222-90/9CS2800](#) [D-300-01CS1108](#) [982127-1](#) [D-436-0127CS391](#) [D-436-0182CS246](#) [D-436-37CS2651](#) [D-436-58CS246](#) [D-436-61CS246](#) [D-436-82-CS2621](#) [D-750-0005CS2493](#) [E53797N001](#) [S200-2-01](#) [S200-4-00CS2904](#) [LSS-81-16AA-CS5575](#) [SO63-2-9036-22CS2677](#) [SO63-3-01CS293](#) [SO63-3-9036-20CS2677](#) [SO63-3-9036-22CS2677](#) [SO63-4-9036-20CS2677](#) [SO63-5-9036-22CS2677](#) [CC1525-000](#) [CTA-0025](#) [D-108-01CS227](#) [D-108-07CS436](#) [D-128-0010](#) [D-141-0108CS404](#) [D-142-51-202-7754](#) [D-144-41CS1371](#) [D-150-0231-NRCS2896](#) [B-801-18-01](#) [515-9](#) [C67137-000](#) [D-436-36CS2908](#) [D-436-37CS2908](#) [D-436-52CS246](#) [D-436-83CS2705](#) [D-438-0102](#) [LSS-26-8A](#) [427243-000](#) [D-106-2012](#) [D-300-08CS1108](#) [UWCS-2U/7.6-1C/5.8](#) [620026-000](#) [B-004-00](#) [699055-000](#) [140945-000](#)