

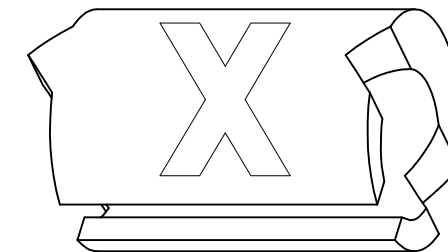
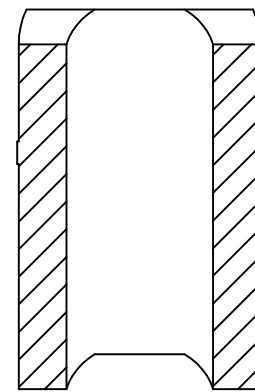
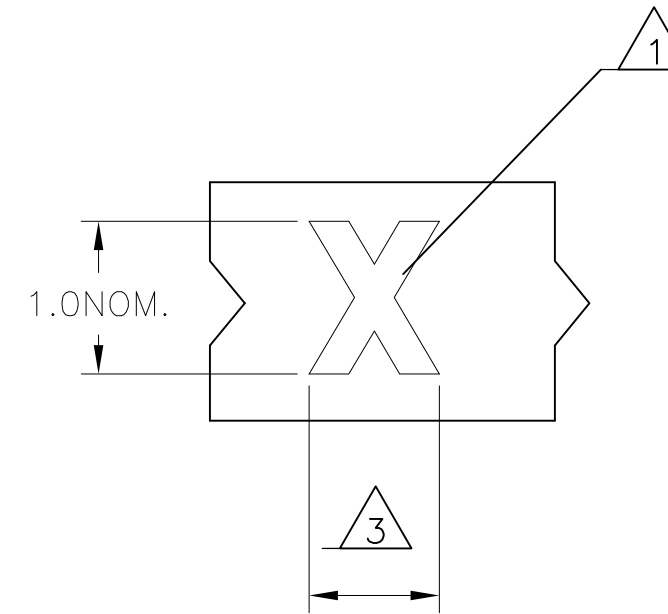
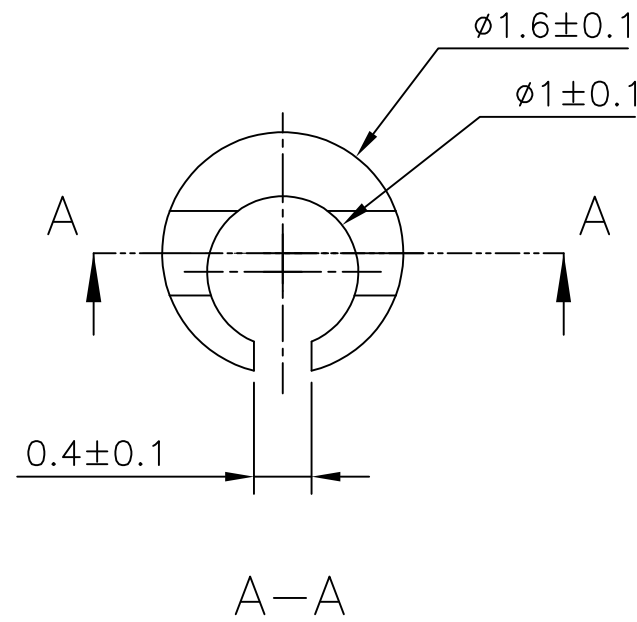
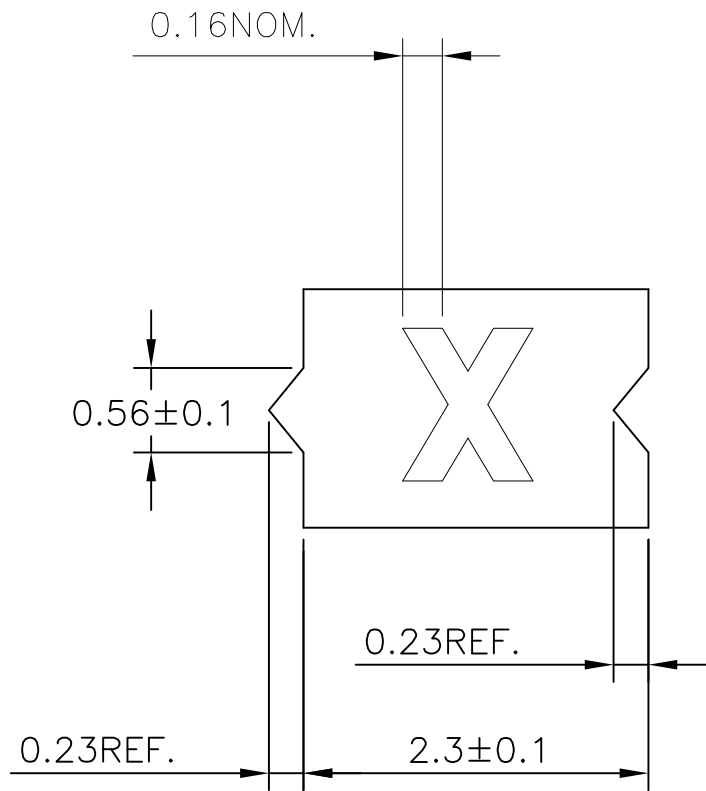
THIS DRAWING IS UNPUBLISHED.

RELEASED FOR PUBLICATION

© COPYRIGHT - TE Connectivity, SWINDON, UK

ALL RIGHTS RESERVED.

LOC	DIST	REVISIONS					
		P	LTR	DESCRIPTION	DATE	DWN	APVD
---	---	1		NEW DRAWING	17DEC2012	AFK	MA



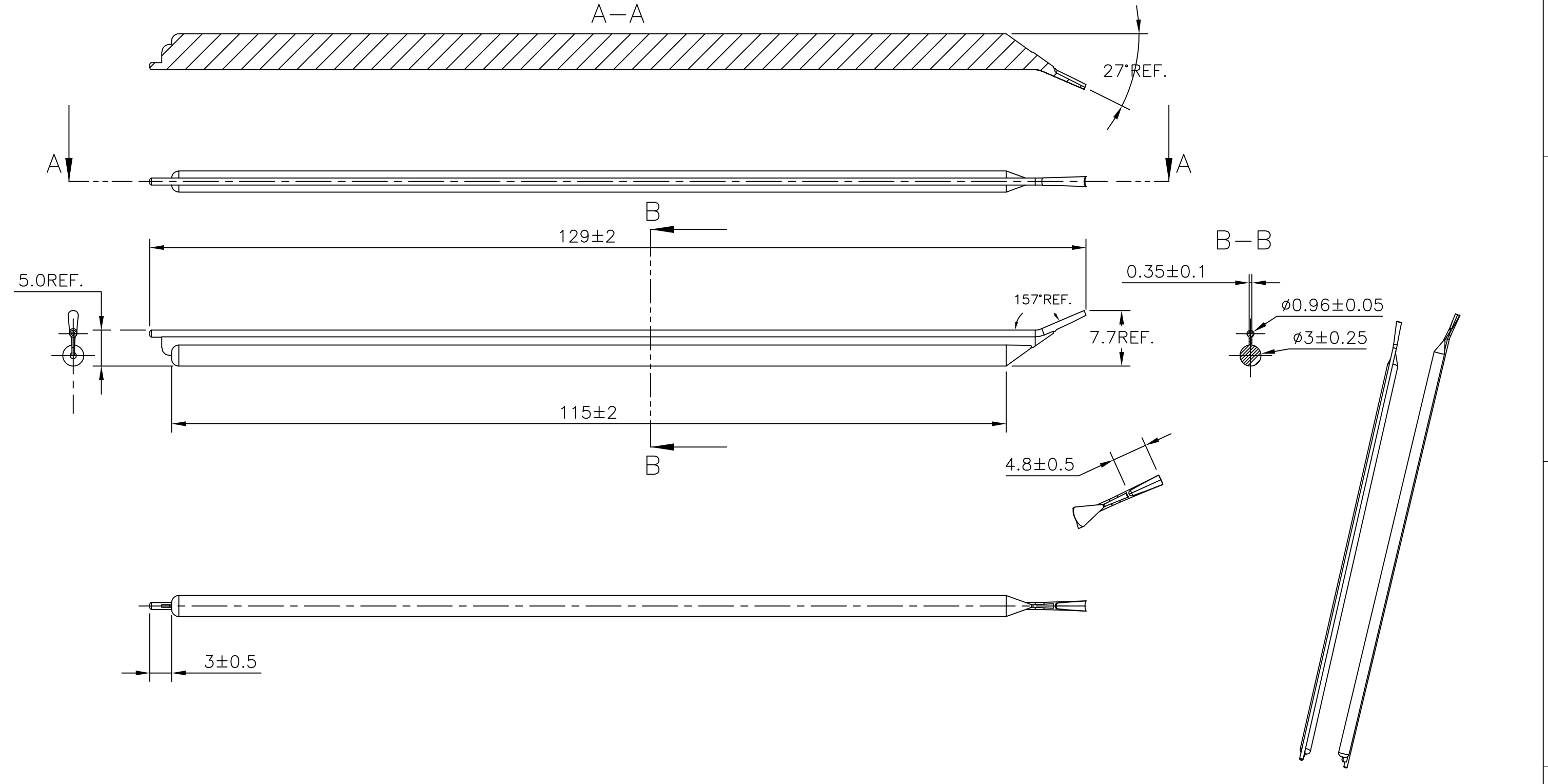
NOTES:

- 1 FOR PART NUMBERS SEE SHEET 3 OF 3.
- 2 MARK SHOULD BE CENTRALLY POSITIONED ± 0.1 mm
- 3 WIDTH OF MARK DEPENDS ON CHARACTER PRINTED

THIS DRAWING IS A CONTROLLED DOCUMENT.		DWN AFK	17NOV2012	TE Connectivity		
DIMENSIONS: mm		CHK M APPELLO	17DEC2012			
		APVD M APPELLO	17DEC2012	SIZE A3 CAGE CODE 00779 DRAWING NO C-1-1768041-3		
MATERIAL THERMOPLASTIC		TOLERANCES UNLESS OTHERWISE SPECIFIED:				
		0 PLC $\pm -$ 1 PLC $\pm -$ 2 PLC $\pm -$ 3 PLC $\pm -$ 4 PLC $\pm -$ ANGLES $\pm -$		WEIGHT -		
		FINISH -		SCALE NTS SHEET 1 OF 3 REV 1		

THIS DRAWING IS UNPUBLISHED. RELEASED FOR PUBLICATION
 © COPYRIGHT - TE Connectivity, SWINDON, UK ALL RIGHTS RESERVED.

LOC	DIST	REVISIONS			
P	LTR	DESCRIPTION	DATE	DWN	APVD
-	-	SEE SHEET 1	-	-	-



THIS DRAWING IS A CONTROLLED DOCUMENT.		DWN A KEAN	18DEC2012	STE TE Connectivity	
DIMENSIONS: mm		CHK M APPELLO	17DEC2012		
TOLERANCES UNLESS OTHERWISE SPECIFIED:		APVD M APPELLO	17DEC2012	NAME STB/STD MARKER WITH APPLICATOR	
0 PLC ± -		PRODUCT SPEC		-	
1 PLC ± -		APPLICATION SPEC		-	
2 PLC ± -		WEIGHT		-	
3 PLC ± -		SIZE		A3	
4 PLC ± -		CAGE CODE		00779	
ANGLES ± -		DRAWING NO		C-1-1768041-3	
MATERIAL THERMOPLASTIC		FINISH		RESTRICTED TO	
-		CUSTOMER DRAWING		-	
		SCALE		NTS	
		SHEET		2 OF 3	
		REV		1	

THIS DRAWING IS UNPUBLISHED. RELEASED FOR PUBLICATION
 © COPYRIGHT - TE Connectivity, SWINDON, UK ALL RIGHTS RESERVED.


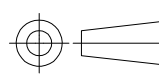
LOC	DIST	REVISIONS					
		P	LTR	DESCRIPTION	DATE	DWN	APVD
-	-	-	-	SEE SHEET 1	-	-	-

DESCRIPTION	PART NO.
STB01-0-0	7-1768036-9
STB01-1-1	8-1768036-2
STB01-2-2	8-1768036-5
STB01-3-3	8-1768036-8
STB01-5-5	9-1768036-3
STB01-6-6	9-1768036-6
STB01-7-7	9-1768036-9
STB01-8-8	1768037-3
STB01-BLANK-0	1768037-6
STB01-BLANK-1	1768037-7
STB01-BLANK-2	1768037-8
STB01-BLANK-3	1768037-9
STB01-BLANK-5	1-1768037-0
STB01-BLANK-6	1-1768037-1
STB01-BLANK-7	1-1768037-2
STD01W-0	380468-000
STD01W-1	036952-000
STD01W-2	880874-000
STD01W-3	261416-000
STD01W-4	886014-000
STD01W-5	472156-000
STD01W-6	697328-000
STD01W-7	115690-000
STD01W-8	695082-000
STD01W-9	524448-000
STD01W-A	543032-000
STD01W-B	667794-000
STD01W-BLANK	7-1768040-6
STD01W-C	490978-000

DESCRIPTION	PART NO.
STD01W-COLON	866186-000
STD01W-D	892212-000
STD01W-DOT	7-1768040-9
STD01W-E	306924-000
STD01W-EARTH	8-1768040-0
STD01W-F	564572-000
STD01W-G	476126-000
STD01W-H	773592-000
STD01W-I	744932-000
STD01W-J	558694-000
STD01W-K	300156-000
STD01W-L	069822-000
STD01W-M	797550-000
STD01W-MINUS	8-1768040-7
STD01W-N	825954-000
STD01W-P	003470-000
STD01W-PLUS	9-1768040-0
STD01W-Q	184430-000
STD01W-R	127474-000
STD01W-S	894140-000
STD01W-SLASH	435160-000
STD01W-T	381132-000
STD01W-U	764856-000
STD01W-V	117528-000
STD01W-W	019350-000
STD01W-X	165016-000
STD01W-Y	098122-000
STD01W-Z	030648-000
STD01Y-0	9-1768040-2

DESCRIPTION	PART NO.
STD01Y-1	9-1768040-3
STD01Y-2	9-1768040-4
STD01Y-3	9-1768040-5
STD01Y-4	9-1768040-6
STD01Y-5	9-1768040-7
STD01Y-6	9-1768040-8
STD01Y-7	9-1768040-9
STD01Y-8	1768041-1
STD01Y-9	1768041-2
STD01Y-A	1768041-3
STD01Y-AC	1768041-4
STD01Y-B	1768041-6
STD01Y-BLANK	1768041-7
STD01Y-C	1768041-9
STD01Y-COLON	1-1768041-0
STD01Y-D	1-1768041-1
STD01Y-DOT	1-1768041-3
STD01Y-E	1-1768041-4
STD01Y-EARTH	1-1768041-5
STD01Y-F	1-1768041-7
STD01Y-G	1-1768041-9
STD01Y-H	2-1768041-1
STD01Y-I	2-1768041-3
STD01Y-J	2-1768041-4
STD01Y-K	2-1768041-5
STD01Y-L	2-1768041-7
STD01Y-M	2-1768041-9
STD01Y-MINUS	3-1768041-0
STD01Y-N	3-1768041-2

DESCRIPTION	PART NO.
STD01Y-P	3-1768041-4
STD01Y-PLUS	3-1768041-5
STD01Y-Q	3-1768041-6
STD01Y-R	3-1768041-7
STD01Y-S	3-1768041-9
STD01Y-SLASH	4-1768041-0
STD01Y-T	4-1768041-1
STD01Y-U	4-1768041-2
STD01Y-V	4-1768041-3
STD01Y-W	4-1768041-4
STD01Y-X	4-1768041-5
STD01Y-Y	4-1768041-6
STD01Y-Z	4-1768041-7

THIS DRAWING IS A CONTROLLED DOCUMENT.		DWN A KEAN 17DEC2012	 TE Connectivity	
DIMENSIONS: mm		CHK M APPELLO 17DEC2012		
		APVD M APPELLO 17DEC2012	NAME STB/STD MARKER WITH APPLICATOR	
TOLERANCES UNLESS OTHERWISE SPECIFIED:		PRODUCT SPEC	-	
0 PLC ± -		APPLICATION SPEC	-	
1 PLC ± -		WEIGHT	-	
2 PLC ± -		SIZE	A3	
3 PLC ± -		CAGE CODE	00779	
4 PLC ± -		DRAWING NO	C-1-1768041-3	
ANGLES ± -		RESTRICTED TO	-	
MATERIAL THERMOPLASTIC		FINISH	-	
		CUSTOMER DRAWING	SCALE	NTS
			SHEET	3 OF 3
			REV	1

X-ON Electronics

Largest Supplier of Electrical and Electronic Components

Click to view similar products for [Wire Labels & Markers](#) category:

Click to view products by [TE Connectivity](#) manufacturer:

Other Similar products are found below :

[89078GBEST](#) [89082GBESR](#) [89082GBEST](#) [PCL025-4](#) [5761-2SF](#) [58400](#) [586R734H02](#) [M1.040.0000.6](#) [CRS-CM5M](#) [CRS-M18M](#) [CS1836-000](#) [CS8626-000](#) [CU6337-000](#) [CU6342-000](#) [CU6343-000](#) [CWD01-0](#) [CWD012-0](#) [CWD012-7](#) [CWD015-3](#) [CWD015-7](#) [CWD02-0](#) [CWD02-3](#) [CWD02-4](#) [CWD02-6](#) [CWD02-8](#) [CWD02-A](#) [CWD02-D](#) [CWD02-H](#) [CWD02-K](#) [CWD02-L](#) [CWD02-M](#) [CWD02-P](#) [CWD02-Q](#) [CWD02-R](#) [CWD02-U](#) [CWD02-W](#) [CWD02-Y](#) [CWD03-+](#) [CWD03-0](#) [CWD03-P](#) [CWD06-0](#) [CWD06-8](#) [CWD06-9](#) [CWD06-L](#) [CWD06-N](#) [CWD09-0](#) [CWD09-5](#) [CWD09-7](#) [6806810001](#) [CZ2857-000](#)