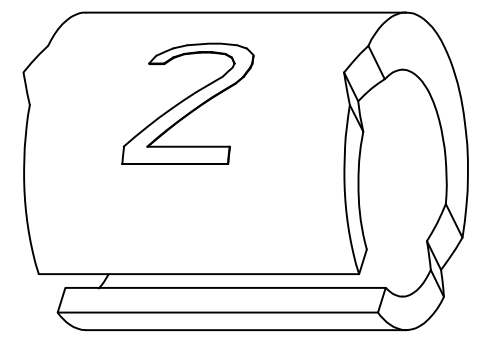
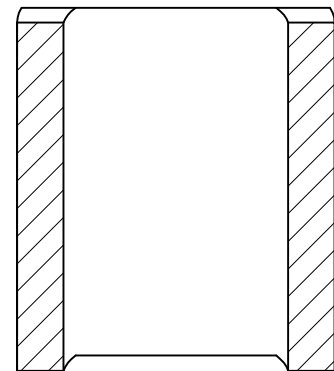
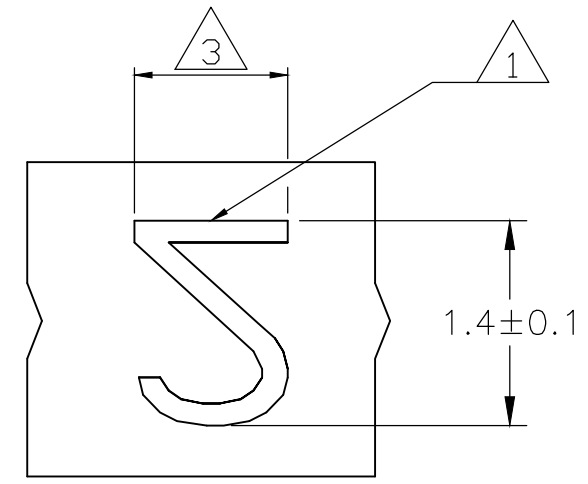
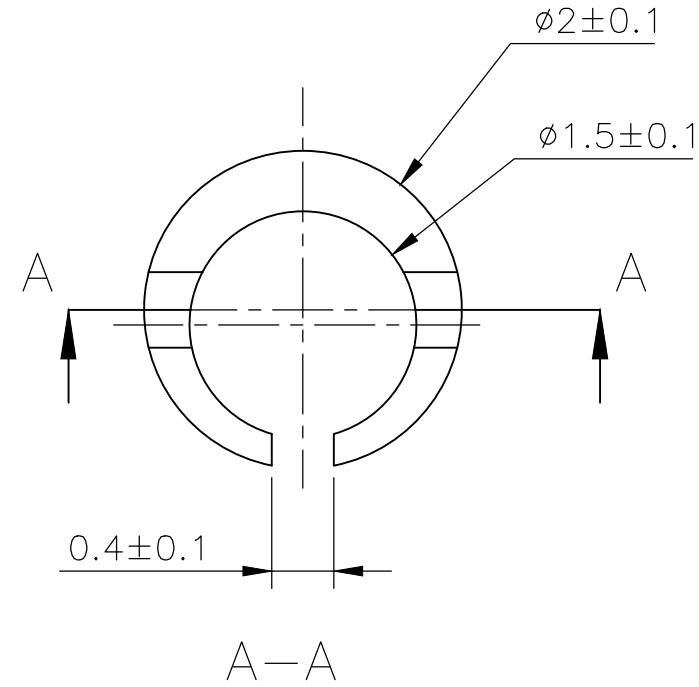
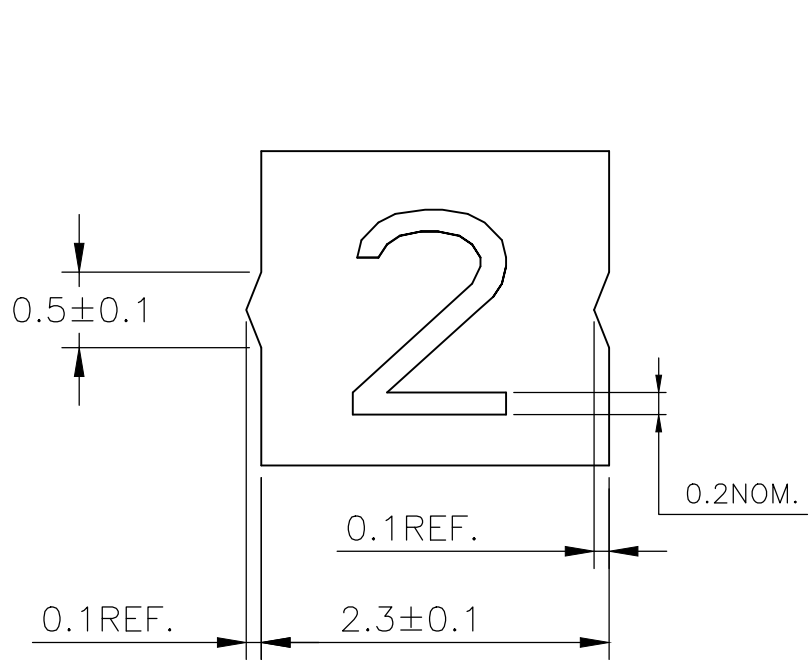


P	LTR	DESCRIPTION	DATE	DWN	APVD
	3	REVISED PER ECR-20-010947	04AUG2020	GK	AK

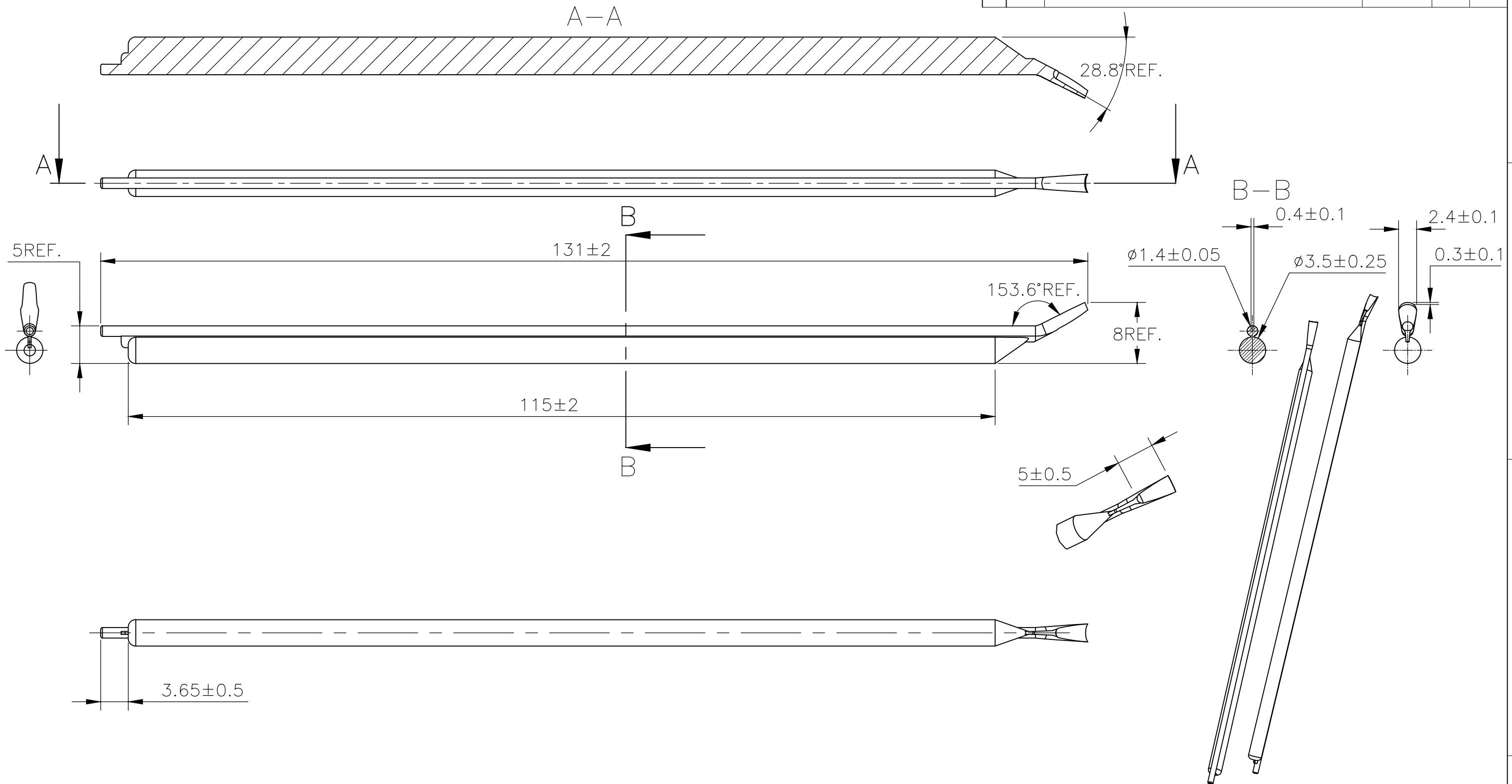



NOTES:

- ① FOR PART NUMBERS SEE SHEET 3 OF 3.
- ② MARK SHOULD BE CENTRALLY POSITIONED ± 0.1 mm
- ③ WIDTH OF MARK DEPENDS ON CHARACTER PRINTED

THIS DRAWING IS A CONTROLLED DOCUMENT.		DWN 25MAR2013 RAGHAVENDRA K		TE Connectivity	
		CHK 25MAR2013 KEAN ALAN			
DIMENSIONS: mm		TOLERANCES UNLESS OTHERWISE SPECIFIED:		NAME	
		0 PLC $\pm -$		APVD 25MAR2013 MARIO APPELLO	
		1 PLC $\pm -$		PRODUCT SPEC	
		2 PLC $\pm -$		APPLICATION SPEC	
		3 PLC $\pm -$		WEIGHT	
		4 PLC $\pm -$		SIZE	
		ANGLES $\pm -$		CAGE CODE	
		FINISH		DRAWING NO	
MATERIAL				RESTRICTED TO	
				A3 C2290 C-7-1768041-1	
				SCALE NTS	
				SHEET 1 OF 3	
				REV 3	

REVISIONS					
P	LTR	DESCRIPTION	DATE	DWN	APVD
-	-	SEE SHEET 1	-	-	-



THIS DRAWING IS A CONTROLLED DOCUMENT.		DWN RAGHAVENDRA K 25MAR2013	 TE Connectivity		
DIMENSIONS: mm		CHK KEAN ALAN 25MAR2013			
TOLERANCES UNLESS OTHERWISE SPECIFIED:		APVD MARIO APPELLO 25MAR2013	NAME SNAP-ON MARKER STB/STD SIZE 02 WITH APPLICATOR		
0 PLC ± -		PRODUCT SPEC	-		
1 PLC ± -		APPLICATION SPEC	-		
2 PLC ± -		WEIGHT	-		
3 PLC ± -		SIZE	CAGE CODE	DRAWING NO	RESTRICTED TO
4 PLC ± -		-	A3	C2290	G-7-1768041-1
ANGLES ± -		CUSTOMER DRAWING			
FINISH		SCALE NTS SHEET 2 OF 3 REV 3			

REVISIONS

P	LTR	DESCRIPTION	DATE	DWN	APVD
	-	SEE SHEET 1	-	-	-

DESCRIPTION	PART NO.
STB02-0-0	1-1768037-4
STB02-1-1	1-1768037-7
STB02-2-2	2-1768037-0
STB02-3-3	2-1768037-3
STB02-5-5	2-1768037-8
STB02-6-6	3-1768037-1
STB02-7-7	3-1768037-4
STB02-8-8	3-1768037-7
STB02-BLANK-0	4-1768037-0
STB02-BLANK-1	4-1768037-1
STB02-BLANK-2	4-1768037-2
STB02-BLANK-3	4-1768037-3
STB02-BLANK-5	4-1768037-4
STB02-BLANK-6	4-1768037-5
STB02-BLANK-7	4-1768037-6
STD02W-0	103302-000
STD02W-1	819694-000
STD02W-2	341158-000
STD02W-3	313440-000
STD02W-4	028034-000
STD02W-5	939726-000
STD02W-6	996948-000
STD02W-7	147282-000
STD02W-8	318610-000
STD02W-9	479820-000
STD02W-A	487180-000
STD02W-B	003324-000
STD02W-BLANK	5-1768041-0
STD02W-B-LC	5-1768041-1

DESCRIPTION	PART NO.
STD02W-D-LC	5-1768041-2
STD02W-DOT	5-1768041-3
STD02W-E	397338-000
STD02W-EARTH	5-1768041-4
STD02W-F	961776-000
STD02W-F-LC	5-1768041-6
STD02W-G	145890-000
STD02W-H	739622-000
STD02W-I	340984-000
STD02W-J	965732-000
STD02W-K	167492-000
STD02W-L	165426-000
STD02W-M	701898-000
STD02W-MINUS	6-1768041-1
STD02W-N	052350-000
STD02W-N-LC	6-1768041-3
STD02W-P	847560-000
STD02W-PLUS	6-1768041-4
STD02W-Q	153592-000
STD02W-R	703268-000
STD02W-S	108520-000
STD02W-SLASH	003880-000
STD02W-T	424514-000
STD02W-U	009222-000
STD02W-V	421406-000
STD02W-W	592248-000
STD02W-C	055262-000
STD02W-COLON	651674-000
STD02W-D	488834-000

DESCRIPTION	PART NO.
STD02W-X	141794-000
STD02W-Y	273610-000
STD02W-Z	471570-000
STD02Y-0	6-1768041-6
STD02Y-1	557314-000
STD02Y-2	983856-000
STD02Y-3	709528-000
STD02Y-4	365180-000
STD02Y-5	996838-000
STD02Y-6	859984-000
STD02Y-7	972648-000
STD02Y-8	379708-000
STD02Y-9	005930-000
STD02Y-A	6-1768041-7
STD02Y-B	7-1768041-0
STD02Y-BLANK	7-1768041-1
STD02Y-C	7-1768041-3
STD02Y-COLON	7-1768041-4
STD02Y-D	7-1768041-5
STD02Y-DOT	7-1768041-7
STD02Y-E	7-1768041-8
STD02Y-EARTH	7-1768041-9
STD02Y-F	8-1768041-1
STD02Y-G	8-1768041-3
STD02Y-H	8-1768041-5
STD02Y-I	8-1768041-7
STD02Y-J	8-1768041-8
STD02Y-K	8-1768041-9

DESCRIPTION	PART NO.
STD02Y-L	9-1768041-1
STD02Y-M	9-1768041-3
STD02Y-MINUS	9-1768041-4
STD02Y-N	9-1768041-6
STD02Y-P	9-1768041-8
STD02Y-PLUS	9-1768041-9
STD02Y-Q	1768042-1
STD02Y-R	1768042-2
STD02Y-S	1768042-4
STD02Y-SLASH	1768042-5
STD02Y-T	1768042-6
STD02Y-U	1768042-7
STD02Y-V	1768042-8
STD02Y-W	1768042-9
STD02Y-X	1-1768042-0
STD02Y-Y	1-1768042-1
STD02Y-Z	1-1768042-2
STD02W-AC	4-1768041-8



OBSOLETE PART

THIS DRAWING IS A CONTROLLED DOCUMENT.		DWN RAGHAVENDRA K 25MAR2013	STE TE Connectivity	
		CHK KEAN ALAN 25MAR2013		
DIMENSIONS: mm		APVD MARIO APPELLO 25MAR2013	NAME SNAP-ON MARKER STB/STD SIZE 02 WITH APPLICATOR	
TOLERANCES UNLESS OTHERWISE SPECIFIED:		PRODUCT SPEC	-	
0 PLC ± -		APPLICATION SPEC	-	
1 PLC ± -		WEIGHT	-	
2 PLC ± -		SIZE	A3	
3 PLC ± -		CAGE CODE	C2290	
4 PLC ± -		DRAWING NO	G-7-1768041-1	
ANGLES ± -		RESTRICTED TO	-	
MATERIAL		CUSTOMER DRAWING		
FINISH		SCALE	NTS	
		SHEET	3 OF 3	
		REV	3	

X-ON Electronics

Largest Supplier of Electrical and Electronic Components

Click to view similar products for [Wire Labels & Markers](#) category:

Click to view products by [TE Connectivity](#) manufacturer:

Other Similar products are found below :

[89078GBEST](#) [89082GBESR](#) [89082GBEST](#) [PCL025-4](#) [5761-2SF](#) [58400](#) [M1.040.0000.6](#) [CRS-CM5M](#) [CRS-M18M](#) [CS1836-000](#) [CS8626-000](#) [CU6337-000](#) [CU6342-000](#) [CU6343-000](#) [CWD01-0](#) [CWD012-0](#) [CWD012-7](#) [CWD015-3](#) [CWD015-7](#) [CWD02-0](#) [CWD02-3](#) [CWD02-4](#) [CWD02-6](#) [CWD02-8](#) [CWD02-A](#) [CWD02-D](#) [CWD02-H](#) [CWD02-K](#) [CWD02-L](#) [CWD02-M](#) [CWD02-P](#) [CWD02-Q](#) [CWD02-R](#) [CWD02-U](#) [CWD02-W](#) [CWD02-Y](#) [CWD03-+](#) [CWD03-0](#) [CWD03-P](#) [CWD06-0](#) [CWD06-8](#) [CWD06-9](#) [CWD06-L](#) [CWD06-N](#) [CWD09-0](#) [CWD09-5](#) [CWD09-7](#) [6806810001](#) [CZ2857-000](#) [6V1J0](#)