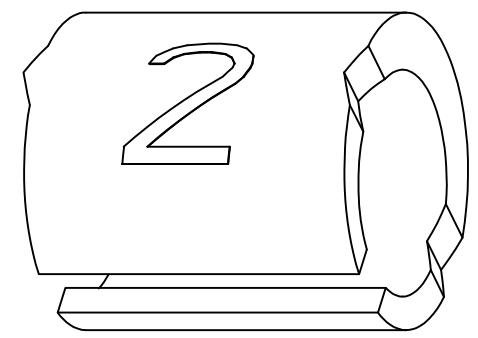
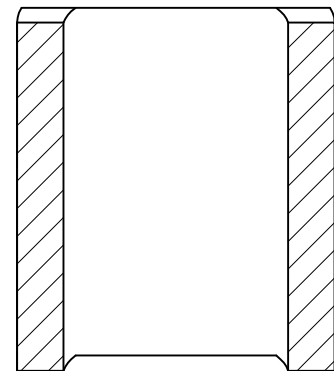
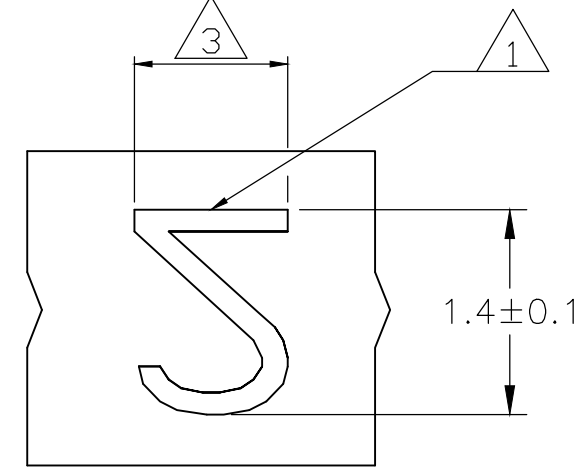
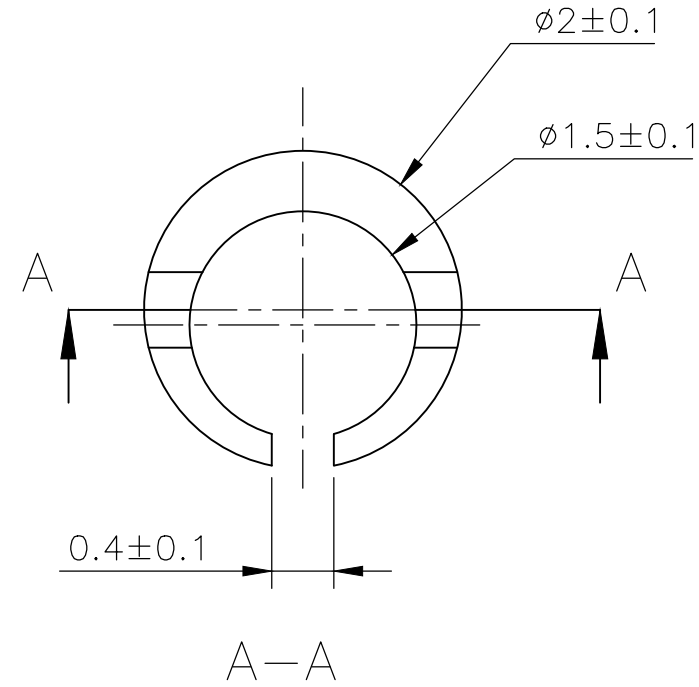
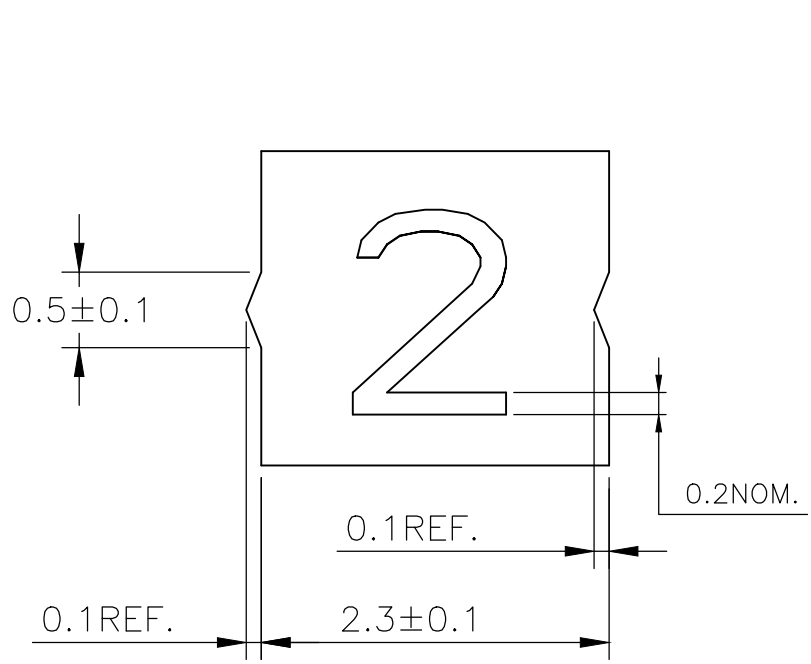


| P | LTR | DESCRIPTION               | DATE      | DWN | APVD |
|---|-----|---------------------------|-----------|-----|------|
|   | 3   | REVISED PER ECR-20-010947 | 04AUG2020 | GK  | AK   |

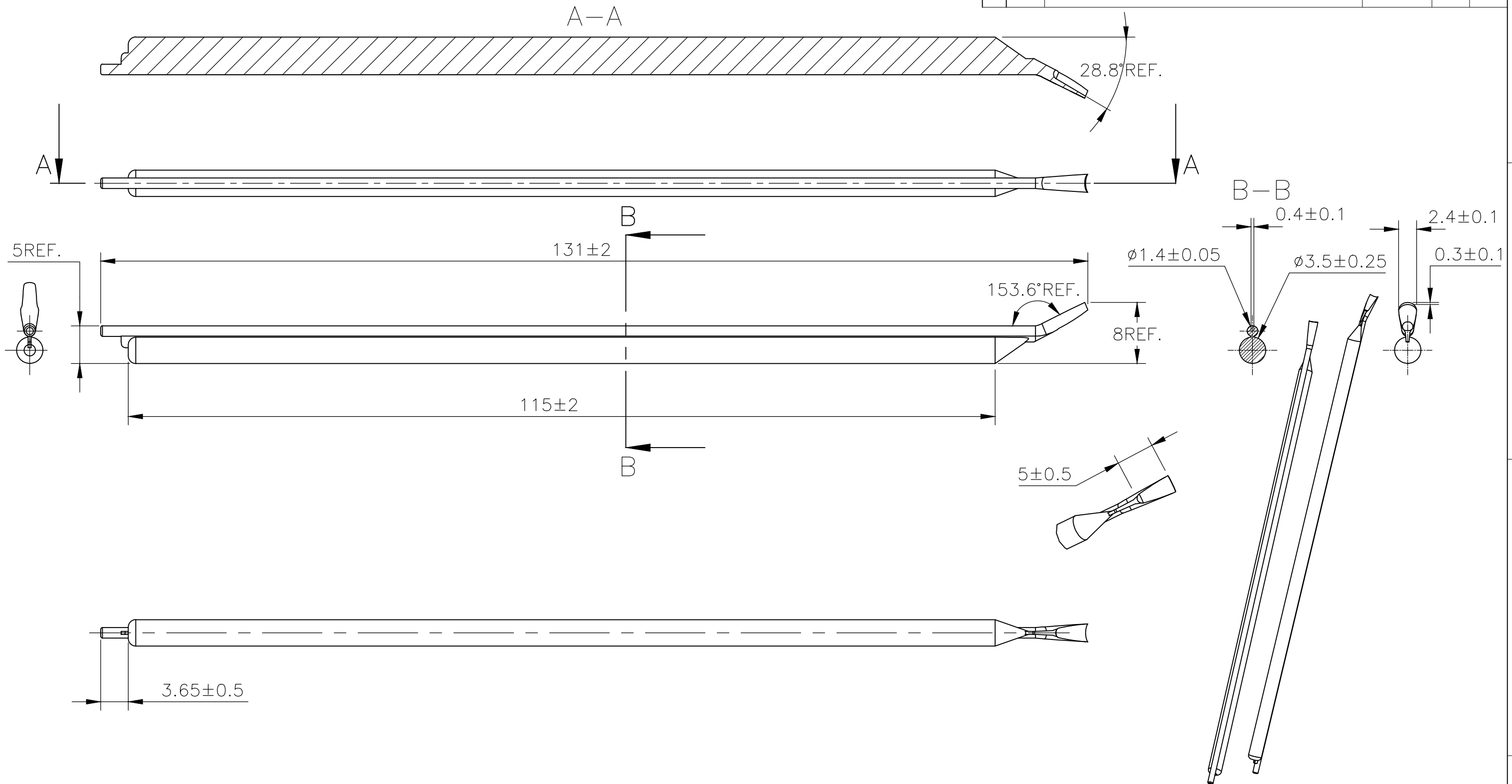



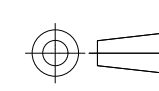
NOTES:

- ① FOR PART NUMBERS SEE SHEET 3 OF 3.
- ② MARK SHOULD BE CENTRALLY POSITIONED  $\pm 0.1$  mm
- ③ WIDTH OF MARK DEPENDS ON CHARACTER PRINTED

|  |  |  |  |                       |               |
|--|--|--|--|-----------------------|---------------|
| THIS DRAWING IS A CONTROLLED DOCUMENT. |  | DWN<br>RAGHAVENDRA K<br>25MAR2013      | TE Connectivity  |                       |               |
|  |  | CHK<br>KEAN ALAN<br>25MAR2013          |  |                       |               |
|  |  | APVD<br>MARIO APPELLO<br>25MAR2013     | NAME<br>SNAP-ON MARKER STB/STD SIZE 02 WITH APPLICATOR |                       |               |
| DIMENSIONS:<br>mm                      |  | TOLERANCES UNLESS OTHERWISE SPECIFIED: |  | PRODUCT SPEC<br>-     |               |
|  |  | 0 PLC                                  | ± -  | APPLICATION SPEC<br>- |               |
|  |  | 1 PLC                                  | ± -  | WEIGHT<br>-           |               |
| MATERIAL<br>-                          |  | 2 PLC                                  | ± -  | SIZE                  | CAGE CODE     |
|  |  | 3 PLC                                  | ± -  | DRAWING NO            | RESTRICTED TO |
|  |  | 4 PLC                                  | ± -  | A3                    | C2290         |
|  |  | ANGLES                                 | ± -  | G-7-1768041-1         | -             |
|  |  | FINISH                                 | -  | CUSTOMER DRAWING      | SCALE<br>NTS  |
|  |  |  |  | SHEET<br>1 OF 3       | REV<br>3      |

| REVISIONS |     |             |      |     |      |
|-----------|-----|-------------|------|-----|------|
| P         | LTR | DESCRIPTION | DATE | DWN | APVD |
| -         | -   | SEE SHEET 1 | -    | -   | -    |



|   |  |                                    |  |              |                    |  |                    |
|---|--|------------------------------------|--|--------------|--------------------|--|--------------------|
| THIS DRAWING IS A CONTROLLED DOCUMENT.  |  | DWN<br>RAGHAVENDRA K<br>25MAR2013  |  <b>TE Connectivity</b> |              |                    |  |                    |
| DIMENSIONS:<br>mm<br>            |  | CHK<br>KEAN ALAN<br>25MAR2013      |  |              |                    | NAME<br>SNAP-ON MARKER STB/STD SIZE 02 WITH APPLICATOR |                    |
| TOLERANCES UNLESS OTHERWISE SPECIFIED:<br>0 PLC ± -<br>1 PLC ± -<br>2 PLC ± -<br>3 PLC ± -<br>4 PLC ± -<br>ANGLES ± - |  | APVD<br>MARIO APPELLO<br>25MAR2013 | PRODUCT SPEC<br>-  |              |                    |  |                    |
| MATERIAL<br>-   |  | FINISH<br>-                        | APPLICATION SPEC<br>-  | SIZE<br>A3   | CAGE CODE<br>C2290 | DRAWING NO<br>G-7-1768041-1                            | RESTRICTED TO<br>- |
| CUSTOMER DRAWING  |  |                                    | WEIGHT<br>-  | SCALE<br>NTS | SHEET<br>2 OF 3    | REV<br>3   |                    |

REVISIONS

| P | LTR | DESCRIPTION | DATE | DWN | APVD |
|---|-----|-------------|------|-----|------|
|   | -   | SEE SHEET 1 | -    | -   | -    |

| DESCRIPTION            | PART NO.               |
|------------------------|------------------------|
| STB02-0-0              | 1-1768037-4            |
| STB02-1-1              | 1-1768037-7            |
| STB02-2-2              | 2-1768037-0            |
| STB02-3-3              | 2-1768037-3            |
| STB02-5-5              | 2-1768037-8            |
| STB02-6-6              | 3-1768037-1            |
| STB02-7-7              | 3-1768037-4            |
| STB02-8-8              | 3-1768037-7            |
| STB02-BLANK-0          | 4-1768037-0            |
| STB02-BLANK-1          | 4-1768037-1            |
| STB02-BLANK-2          | 4-1768037-2            |
| STB02-BLANK-3          | 4-1768037-3            |
| STB02-BLANK-5          | 4-1768037-4            |
| STB02-BLANK-6          | 4-1768037-5            |
| STB02-BLANK-7          | 4-1768037-6            |
| STD02W-0               | 103302-000             |
| STD02W-1               | 819694-000             |
| STD02W-2               | 341158-000             |
| STD02W-3               | 313440-000             |
| STD02W-4               | 028034-000             |
| STD02W-5               | 939726-000             |
| STD02W-6               | 996948-000             |
| STD02W-7               | 147282-000             |
| STD02W-8               | 318610-000             |
| STD02W-9               | 479820-000             |
| STD02W-A               | 487180-000             |
| STD02W-B               | 003324-000             |
| STD02W-BLANK           | 5-1768041-0            |
| <del>STD02W-B-LC</del> | <del>5-1768041-1</del> |

| DESCRIPTION            | PART NO.               |
|------------------------|------------------------|
| <del>STD02W-D-LC</del> | <del>5-1768041-2</del> |
| STD02W-DOT             | 5-1768041-3            |
| STD02W-E               | 397338-000             |
| STD02W-EARTH           | 5-1768041-4            |
| STD02W-F               | 961776-000             |
| <del>STD02W-F-LC</del> | <del>5-1768041-6</del> |
| STD02W-G               | 145890-000             |
| STD02W-H               | 739622-000             |
| STD02W-I               | 340984-000             |
| STD02W-J               | 965732-000             |
| STD02W-K               | 167492-000             |
| STD02W-L               | 165426-000             |
| STD02W-M               | 701898-000             |
| STD02W-MINUS           | 6-1768041-1            |
| STD02W-N               | 052350-000             |
| <del>STD02W-N-LC</del> | <del>6-1768041-3</del> |
| STD02W-P               | 847560-000             |
| STD02W-PLUS            | 6-1768041-4            |
| STD02W-Q               | 153592-000             |
| STD02W-R               | 703268-000             |
| STD02W-S               | 108520-000             |
| STD02W-SLASH           | 003880-000             |
| STD02W-T               | 424514-000             |
| STD02W-U               | 009222-000             |
| STD02W-V               | 421406-000             |
| STD02W-W               | 592248-000             |
| STD02W-C               | 055262-000             |
| STD02W-COLON           | 651674-000             |
| STD02W-D               | 488834-000             |

| DESCRIPTION  | PART NO.    |
|--------------|-------------|
| STD02W-X     | 141794-000  |
| STD02W-Y     | 273610-000  |
| STD02W-Z     | 471570-000  |
| STD02Y-0     | 6-1768041-6 |
| STD02Y-1     | 557314-000  |
| STD02Y-2     | 983856-000  |
| STD02Y-3     | 709528-000  |
| STD02Y-4     | 365180-000  |
| STD02Y-5     | 996838-000  |
| STD02Y-6     | 859984-000  |
| STD02Y-7     | 972648-000  |
| STD02Y-8     | 379708-000  |
| STD02Y-9     | 005930-000  |
| STD02Y-A     | 6-1768041-7 |
| STD02Y-B     | 7-1768041-0 |
| STD02Y-BLANK | 7-1768041-1 |
| STD02Y-C     | 7-1768041-3 |
| STD02Y-COLON | 7-1768041-4 |
| STD02Y-D     | 7-1768041-5 |
| STD02Y-DOT   | 7-1768041-7 |
| STD02Y-E     | 7-1768041-8 |
| STD02Y-EARTH | 7-1768041-9 |
| STD02Y-F     | 8-1768041-1 |
| STD02Y-G     | 8-1768041-3 |
| STD02Y-H     | 8-1768041-5 |
| STD02Y-I     | 8-1768041-7 |
| STD02Y-J     | 8-1768041-8 |
| STD02Y-K     | 8-1768041-9 |

| DESCRIPTION  | PART NO.    |
|--------------|-------------|
| STD02Y-L     | 9-1768041-1 |
| STD02Y-M     | 9-1768041-3 |
| STD02Y-MINUS | 9-1768041-4 |
| STD02Y-N     | 9-1768041-6 |
| STD02Y-P     | 9-1768041-8 |
| STD02Y-PLUS  | 9-1768041-9 |
| STD02Y-Q     | 1768042-1   |
| STD02Y-R     | 1768042-2   |
| STD02Y-S     | 1768042-4   |
| STD02Y-SLASH | 1768042-5   |
| STD02Y-T     | 1768042-6   |
| STD02Y-U     | 1768042-7   |
| STD02Y-V     | 1768042-8   |
| STD02Y-W     | 1768042-9   |
| STD02Y-X     | 1-1768042-0 |
| STD02Y-Y     | 1-1768042-1 |
| STD02Y-Z     | 1-1768042-2 |
| STD02W-AC    | 4-1768041-8 |



OBSOLETE PART

|  |  |                                    |  |  |
|--|--|------------------------------------|--|--|
| THIS DRAWING IS A CONTROLLED DOCUMENT. |  | DWN<br>RAGHAVENDRA K<br>25MAR2013  | <b>STE</b> TE Connectivity                             |  |
|  |  | CHK<br>KEAN ALAN<br>25MAR2013      |  |  |
| DIMENSIONS:<br>mm                      |  | APVD<br>MARIO APPELLO<br>25MAR2013 | NAME<br>SNAP-ON MARKER STB/STD SIZE 02 WITH APPLICATOR |  |
| TOLERANCES UNLESS OTHERWISE SPECIFIED: |  | PRODUCT SPEC                       | -  |  |
| 0 PLC ± -                              |  | APPLICATION SPEC                   | -  |  |
| 1 PLC ± -                              |  | WEIGHT                             | -  |  |
| 2 PLC ± -                              |  | SIZE                               | A3   |  |
| 3 PLC ± -                              |  | CAGE CODE                          | C2290  |  |
| 4 PLC ± -                              |  | DRAWING NO                         | G-7-1768041-1  |  |
| ANGLES ± -                             |  | RESTRICTED TO                      | -  |  |
| MATERIAL                               |  | CUSTOMER DRAWING                   |  |  |
| FINISH                                 |  | SCALE                              | NTS  |  |
|  |  | SHEET                              | 3 OF 3   |  |
|  |  | REV                                | 3  |  |

## X-ON Electronics

Largest Supplier of Electrical and Electronic Components

*Click to view similar products for [Wire Labels & Markers](#) category:*

*Click to view products by [TE Connectivity](#) manufacturer:*

Other Similar products are found below :

[89078GBEST](#) [89082GBESR](#) [89082GBEST](#) [PCL025-4](#) [5761-2SF](#) [58400](#) [586R734H02](#) [M1.040.0000.6](#) [CRS-CM5M](#) [CRS-M18M](#) [CS1836-000](#) [CS8626-000](#) [CU6337-000](#) [CU6342-000](#) [CU6343-000](#) [CWD01-0](#) [CWD012-0](#) [CWD012-7](#) [CWD015-3](#) [CWD015-7](#) [CWD02-0](#) [CWD02-3](#) [CWD02-4](#) [CWD02-6](#) [CWD02-8](#) [CWD02-A](#) [CWD02-D](#) [CWD02-H](#) [CWD02-K](#) [CWD02-L](#) [CWD02-M](#) [CWD02-P](#) [CWD02-Q](#) [CWD02-R](#) [CWD02-U](#) [CWD02-W](#) [CWD02-Y](#) [CWD03-+](#) [CWD03-0](#) [CWD03-P](#) [CWD06-0](#) [CWD06-8](#) [CWD06-9](#) [CWD06-L](#) [CWD06-N](#) [CWD09-0](#) [CWD09-5](#) [CWD09-7](#) [6806810001](#) [CZ2857-000](#)