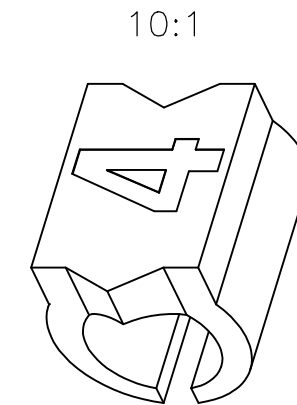
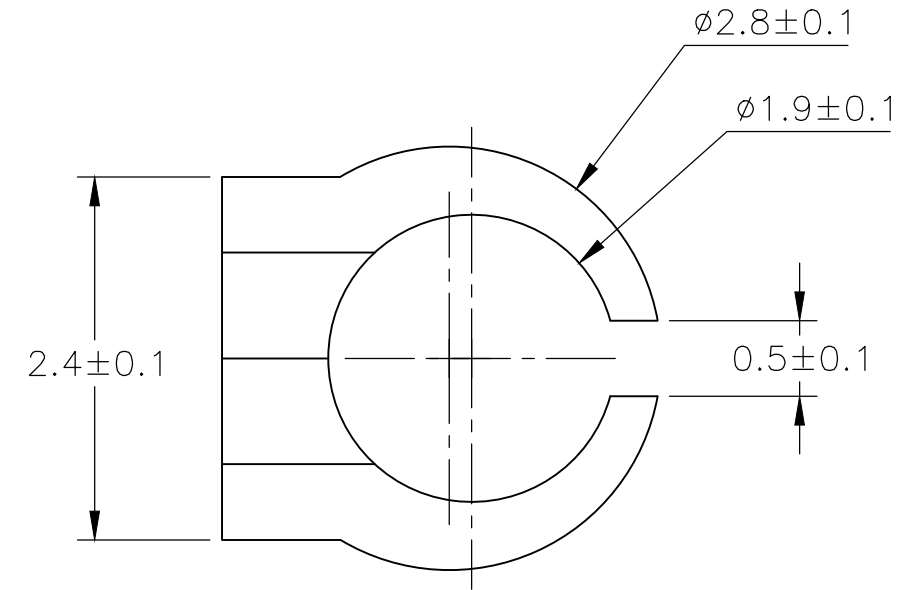
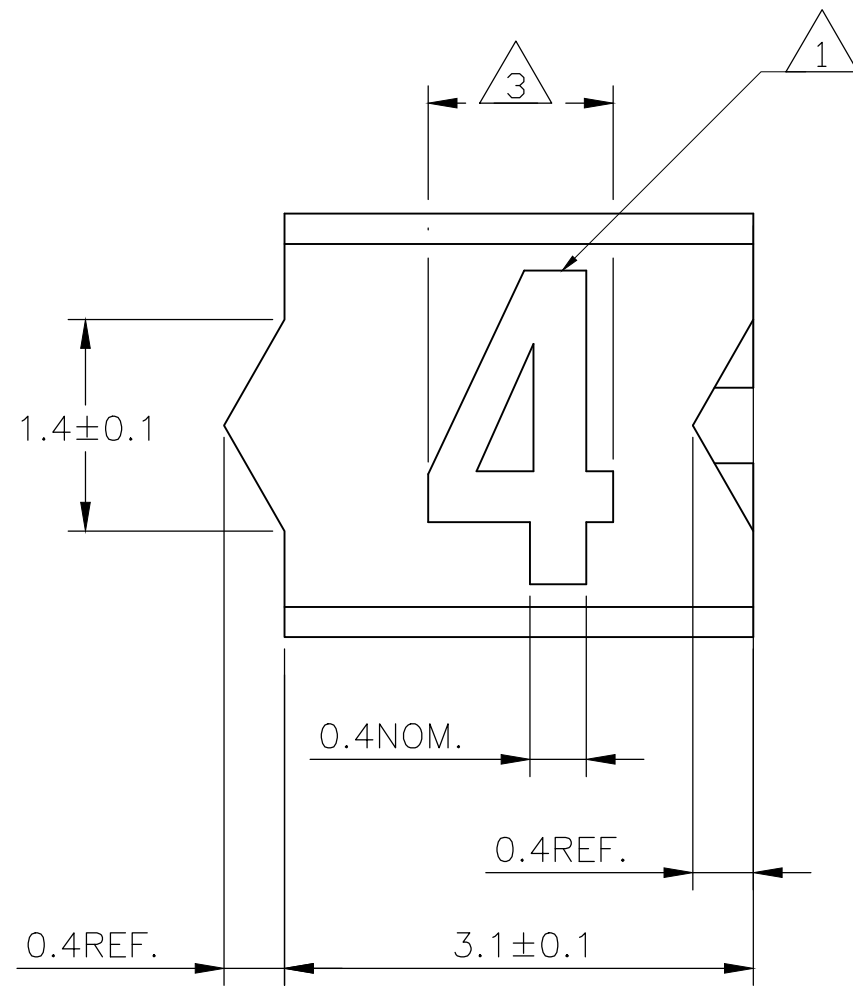
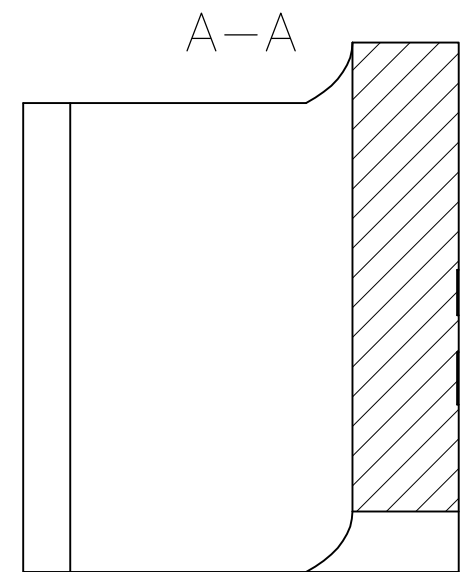
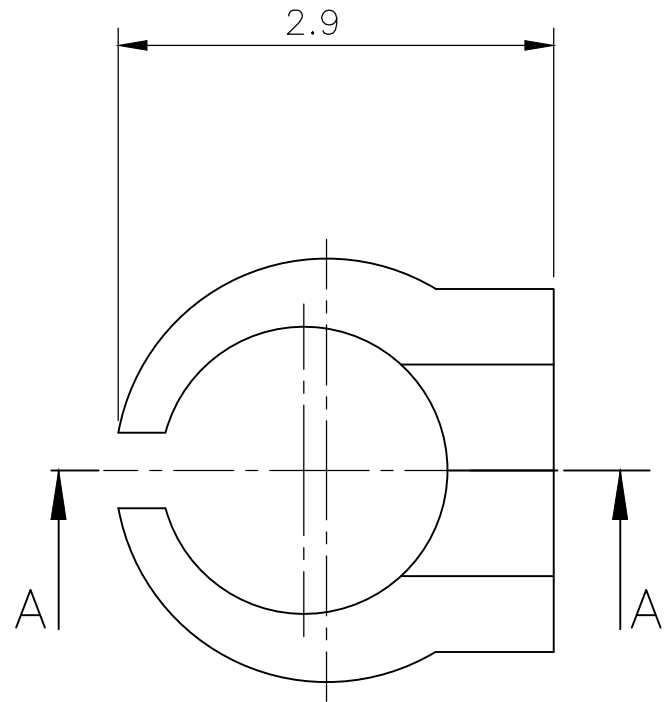


P	LTR	DESCRIPTION	DATE	DWN	APVD
	3	REVISED PER ECR-20-010947	04AUG2020	GK	AK

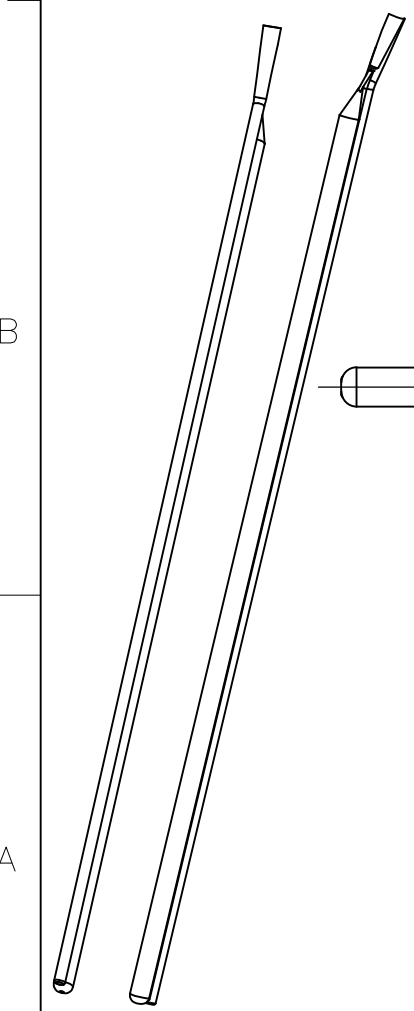
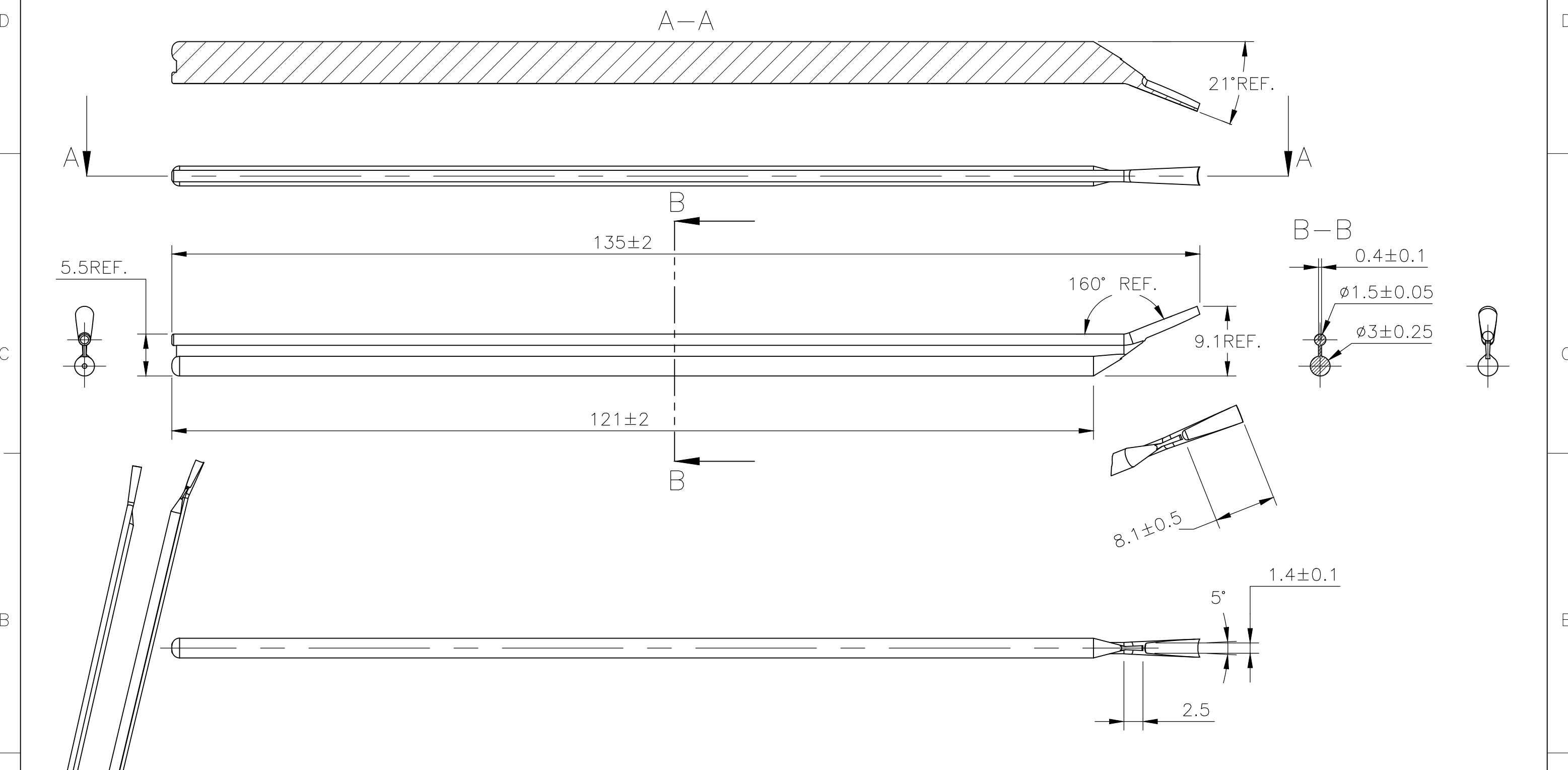


NOTES:

- 1 FOR PART NUMBERS SEE SHEET 3 OF 3.
- 2 MARK SHOULD BE CENTRALLY POSITIONED ±0.1mm
- 3 WIDTH OF MARK DEPENDS ON CHARACTER PRINTED

THIS DRAWING IS A CONTROLLED DOCUMENT.		DWN RAGHAVENDRA K 23MAR2013	TE Connectivity Ltd.														
DIMENSIONS: mm		CHK KEAN ALAN 23MAR2013															
TOLERANCES UNLESS OTHERWISE SPECIFIED:		APVD MARIO APPELLO 23MAR2013	NAME SNAP-ON MARKER STB/STD SIZE 03 WITH APPLICATOR														
<table border="0"> <tr> <td>0 PLC</td> <td>± -</td> </tr> <tr> <td>1 PLC</td> <td>± -</td> </tr> <tr> <td>2 PLC</td> <td>± -</td> </tr> <tr> <td>3 PLC</td> <td>± -</td> </tr> <tr> <td>4 PLC</td> <td>± -</td> </tr> <tr> <td>ANGLES</td> <td>± -</td> </tr> </table>		0 PLC	± -	1 PLC	± -	2 PLC	± -	3 PLC	± -	4 PLC	± -	ANGLES	± -	PRODUCT SPEC	-		
0 PLC	± -																
1 PLC	± -																
2 PLC	± -																
3 PLC	± -																
4 PLC	± -																
ANGLES	± -																
MATERIAL		APPLICATION SPEC	-														
FINISH		WEIGHT	SIZE	CAGE CODE	DRAWING NO	RESTRICTED TO											
-		-	A3	C2290	C-3-1198178-7	-											
CUSTOMER DRAWING			SCALE	SHEET	REV												
			NTS	1 OF 4	3												

REVISIONS					
P	LTR	DESCRIPTION	DATE	DWN	APVD
-	-	SEE SHEET 1	-	-	-



THIS DRAWING IS A CONTROLLED DOCUMENT.

DWN 23MAR2013  
RAGHAVENDRA K  
CHK 23MAR2013  
KEAN ALAN  
APVD 23MAR2013  
MARIO APPELLO



DIMENSIONS:	TOLERANCES UNLESS OTHERWISE SPECIFIED:
mm	
	0 PLC ± -
	1 PLC ± -
	2 PLC ± -
	3 PLC ± -
	4 PLC ± -
	ANGLES ± -

PRODUCT SPEC  
APPLICATION SPEC  
WEIGHT -

NAME				RESTRICTED TO	
SNAP-ON MARKER STB/STD SIZE 03 WITH APPLICATOR				-	
SIZE	CAGE CODE	DRAWING NO			
A3	C2290	C-3-1198178-7			

MATERIAL -  
FINISH -

CUSTOMER DRAWING	SCALE NTS	SHEET 2 OF 4	REV 3
------------------	-----------	--------------	-------

REVISIONS

P	LTR	DESCRIPTION	DATE	DWN	APVD
	-	SEE SHEET 1	-	-	-

DESCRIPTION	PART NO.
STB03-0-0	4-1768037-8
STB03-0-8	5-1768037-1
STB03-1-1	5-1768037-3
STB03-2-2	5-1768037-8
STB03-2-5	5-1768037-9
STB03-2-8	6-1768037-0
STB03-3-3	6-1768037-3
STB03-5-5	7-1768037-3
STB03-6-6	7-1768037-8
STB03-7-7	8-1768037-3
STB03-8-8	8-1768037-8
STB03-BLANK-0	9-1768037-5
STB03-BLANK-1	9-1768037-6
STB03-BLANK-2	9-1768037-7
STB03-BLANK-3	9-1768037-8
STB03-BLANK-5	9-1768037-9
STB03-BLANK-6	1768038-1
STB03-BLANK-7	1768038-2
STB03-BLANK-8	1768038-3
STD03W/SA	1-1768042-5
STD03W/SAB	1-1768042-6
STD03W/SB	1-1768042-7
STD03W-0	321874-000
STD03W-1	496764-000
STD03W-2	369880-000
STD03W-3	434716-000
STD03W-4	092790-000
STD03W-5	403072-000
STD03W-6	571230-000
STD03W-7	345774-000
STD03W-8	446638-000
STD03W-9	070440-000
STD03W-A	167476-000

4

4

4

4

4

4

4

4

4

4

DESCRIPTION	PART NO.
STD03W-AC	1-1768042-8
<del>STD03W-A-LC</del>	<del>1-1768042-9</del>
STD03W-B	213166-000
STD03W-BLANK	2-1768042-0
<del>STD03W-B-LC</del>	<del>2-1768042-1</del>
STD03W-C	586908-000
STD03W-COLON	548746-000
STD03W-D	845704-000
<del>STD03W-D-LC</del>	<del>2-1768042-2</del>
STD03W-DOT	2-1768042-3
STD03W-E	916196-000
STD03W-EARTH	351404-000
<del>STD03W-E-LC</del>	<del>2-1768042-4</del>
STD03W-F	032218-000
STD03W-G	122028-000
STD03W-H	801234-000
<del>STD03W-H-LC</del>	<del>2-1768042-7</del>
STD03W-I	761148-000
STD03W-J	000666-000
STD03W-K	384850-000
<del>STD03W-K-LC</del>	<del>2-1768042-8</del>
STD03W-L	053232-000
STD03W-M	236988-000
STD03W-MINUS	3-1768042-0
STD03W-N	581086-000
STD03W-P	969958-000
STD03W-PLUS	3-1768042-3
STD03W-Q	185576-000
STD03W-R	559060-000
<del>STD03W-R-LC</del>	<del>3-1768042-4</del>
STD03W-S	376500-000
STD03W-SLASH	489958-000

4

4

4

DESCRIPTION	PART NO.
STD03W-T	006340-000
STD03W-U	593358-000
STD03W-V	875154-000
STD03W-W	026896-000
STD03W-X	593434-000
STD03W-Y	982978-000
STD03W-Z	033694-000
STD03Y/SA	3-1768042-5
STD03Y-0	768714-000
STD03Y-1	197036-000
STD03Y-2	610528-000
STD03Y-3	770010-000
STD03Y-4	499680-000
STD03Y-5	998356-000
STD03Y-6	518144-000
STD03Y-7	443352-000
STD03Y-8	774414-000
STD03Y-9	090056-000
STD03Y-A	345038-000
STD03Y-AC	3-1768042-8
<del>STD03Y-A-LC</del>	<del>3-1768042-9</del>
STD03Y-B	588040-000
STD03Y-BLANK	4-1768042-0
<del>STD03Y-B-LC</del>	<del>4-1768042-1</del>
STD03Y-C	4-1768042-2
STD03Y-COLON	4-1768042-3
STD03Y-D	4-1768042-4
STD03Y-DOT	4-1768042-6

4

4

4

DESCRIPTION	PART NO.
STD03Y-E	4-1768042-7
STD03Y-EARTH	4-1768042-8
<del>STD03Y-E-LC</del>	<del>4-1768042-9</del>
STD03Y-F	886822-000
STD03Y-G	5-1768042-1
STD03Y-H	361720-000
STD03Y-I	413464-000
STD03Y-J	5-1768042-4
STD03Y-K	657680-000
<del>STD03Y-K-LC</del>	<del>5-1768042-5</del>
STD03Y-L	5-1768042-6
STD03Y-M	5-1768042-8
STD03Y-MINUS	5-1768042-9
STD03Y-N	6-1768042-1
STD03Y-P	6-1768042-3
STD03Y-PLUS	6-1768042-4
STD03Y-Q	755512-000
STD03Y-R	6-1768042-5
STD03Y-S	992474-000
STD03Y-SLASH	6-1768042-7
STD03Y-T	6-1768042-8
STD03Y-U	6-1768042-9
STD03Y-V	7-1768042-0
STD03Y-W	7-1768042-1
STD03Y-X	666390-000
STD03Y-Y	7-1768042-2
<del>STD03Y-Z</del>	<del>956734-000</del>

DESCRIPTION	PART NO.
STB03-0-3	5-1768412-4
STB03-1-0	5-1768037-2
STB03-1-8	5-1768037-6
STB03-3-8	6-1768037-5
STB03-2-3	5-1768412-6
STB03-4-8	7-1768037-0
STB03-5-8	7-1768037-4
STB03-6-8	7-1768037-9
STB03-7-8	8-1768037-4
STB03-8-0	8-1768037-5
STB03-8-3	6-1768412-1
STB03-9-3	6-1768412-2
STB03-9-8	9-1768037-2
STB03-V-6	1-1768038-5

THIS DRAWING IS A CONTROLLED DOCUMENT.

DWN 23MAR2013 RAGHAVENDRA K

CHK 23MAR2013 KEAN ALAN

APVD 23MAR2013 MARIO APPELLO

PRODUCT SPEC

APPLICATION SPEC

WEIGHT

STE TE Connectivity Ltd.

NAME SNAP-ON MARKER STB/STD SIZE 03 WITH APPLICATOR

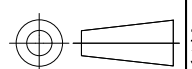
SIZE CAGE CODE DRAWING NO RESTRICTED TO

A3 C2290 C-3-1198178-7

CUSTOMER DRAWING SCALE NTS SHEET 3 OF 4 REV 3

DIMENSIONS: mm

TOLERANCES UNLESS OTHERWISE SPECIFIED:



- 0 PLC ± -
- 1 PLC ± -
- 2 PLC ± -
- 3 PLC ± -
- 4 PLC ± -
- ANGLES ± -
- FINISH

MATERIAL

## X-ON Electronics

Largest Supplier of Electrical and Electronic Components

*Click to view similar products for [Wire Labels & Markers](#) category:*

*Click to view products by [TE Connectivity](#) manufacturer:*

Other Similar products are found below :

[89078GBEST](#) [89082GBESR](#) [89082GBEST](#) [PCL025-4](#) [5761-2SF](#) [58400](#) [M1.040.0000.6](#) [CRS-CM5M](#) [CRS-M18M](#) [CS1836-000](#) [CS8626-000](#) [CU6337-000](#) [CU6342-000](#) [CU6343-000](#) [CWD01-0](#) [CWD012-0](#) [CWD012-7](#) [CWD015-3](#) [CWD015-7](#) [CWD02-0](#) [CWD02-3](#) [CWD02-4](#) [CWD02-6](#) [CWD02-8](#) [CWD02-A](#) [CWD02-D](#) [CWD02-H](#) [CWD02-K](#) [CWD02-L](#) [CWD02-M](#) [CWD02-P](#) [CWD02-Q](#) [CWD02-R](#) [CWD02-U](#) [CWD02-W](#) [CWD02-Y](#) [CWD03-+](#) [CWD03-0](#) [CWD03-P](#) [CWD06-0](#) [CWD06-8](#) [CWD06-9](#) [CWD06-L](#) [CWD06-N](#) [CWD09-0](#) [CWD09-5](#) [CWD09-7](#) [6806810001](#) [CZ2857-000](#) [6V1J0](#)