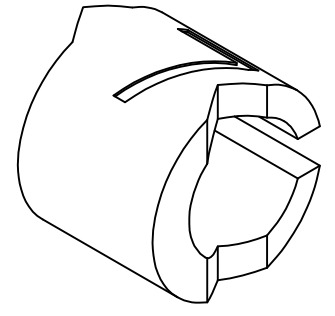
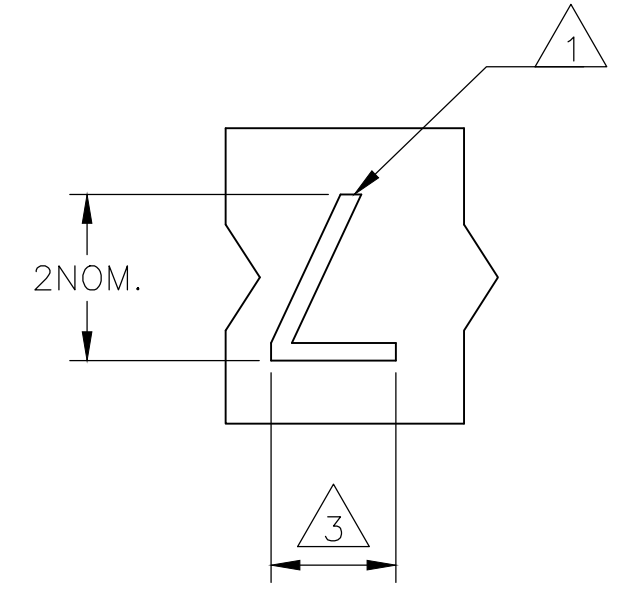
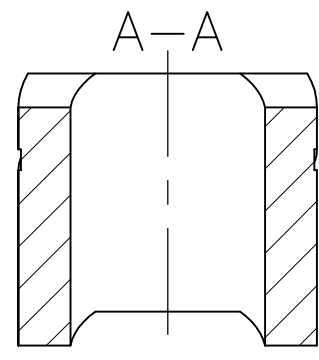
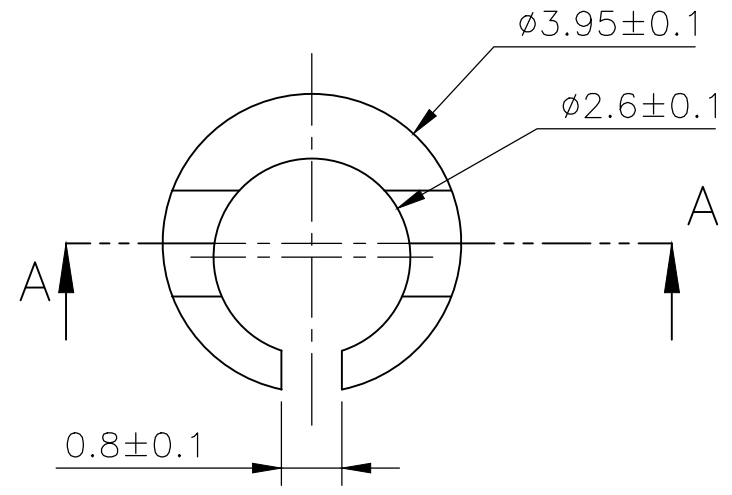
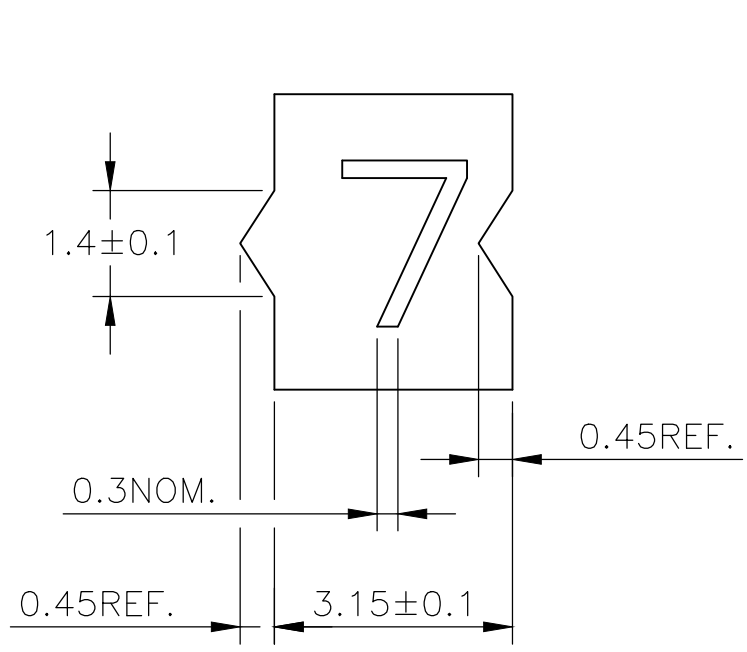


P	LTR	DESCRIPTION	DATE	DWN	APVD
	3	REVISED PER ECR-20-010947	04AUG2020	GK	AK

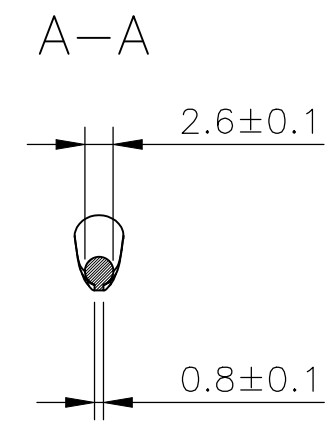
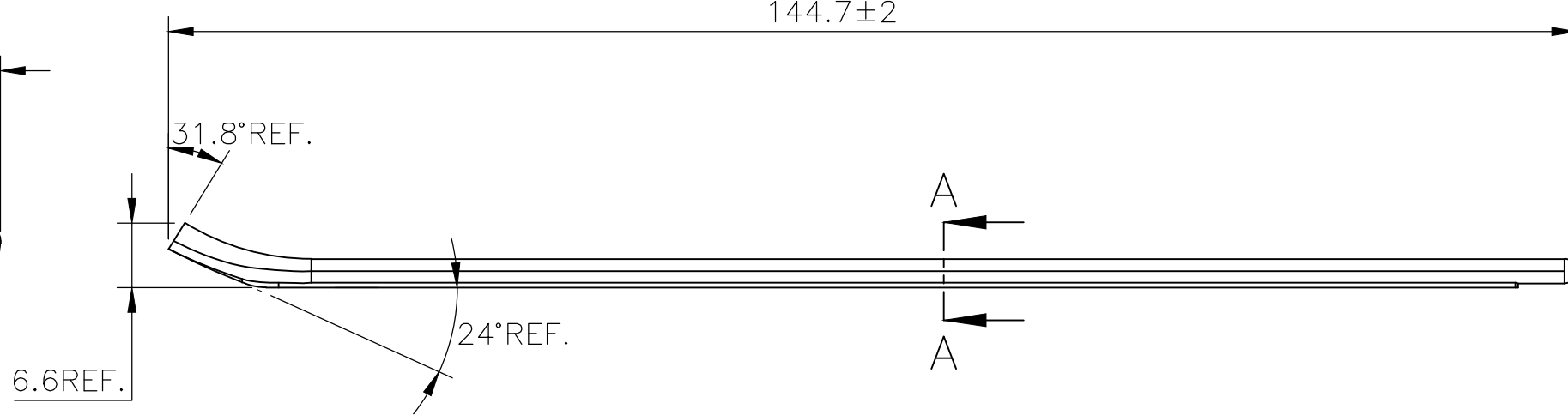
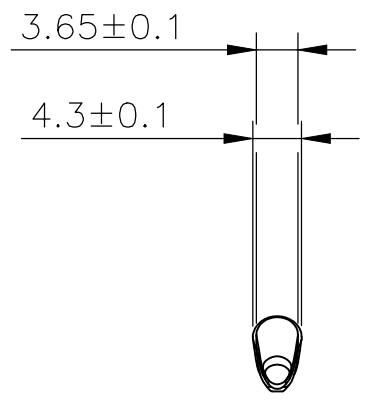
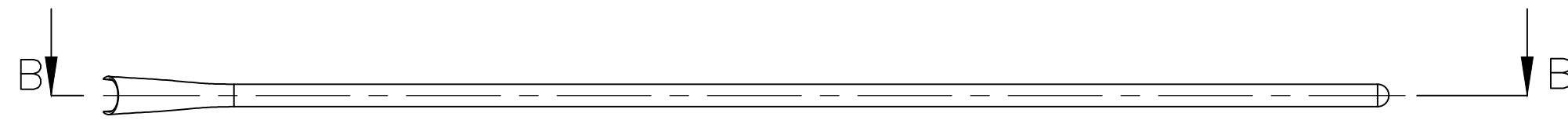
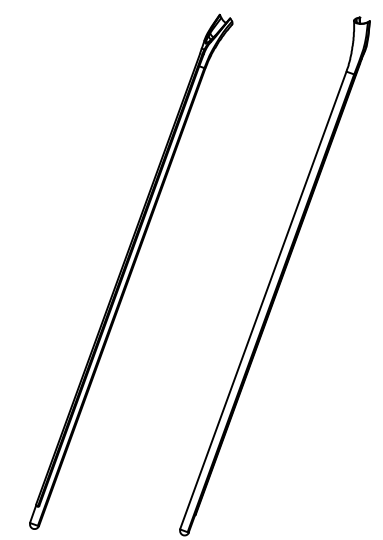
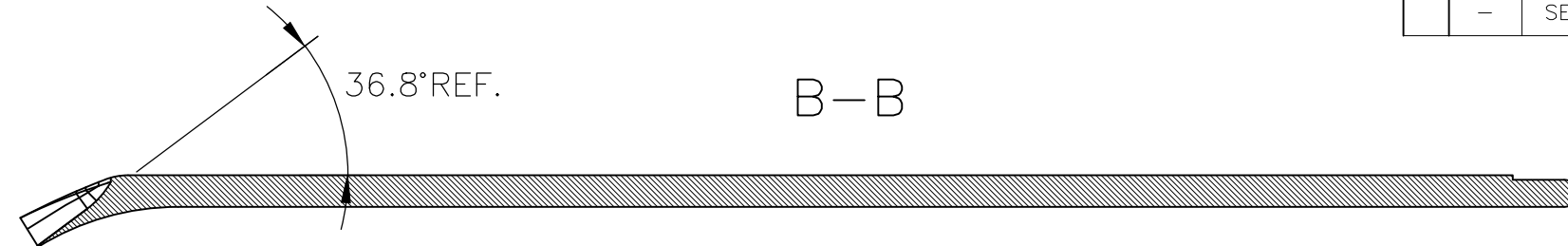


NOTES:

- 1 FOR PART NUMBER SEE SHEET 3 OF 3.
- 2 MARK SHOULD BE CENTRALLY POSITIONED ± 0.1 mm.
- 3 WIDTH OF MARK DEPENDS ON CHARACTER PRINTED

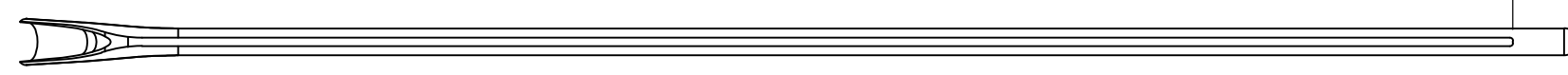
THIS DRAWING IS A CONTROLLED DOCUMENT.		DWN RAGHAVENDRA K 25MAR2013	TE Connectivity														
DIMENSIONS: mm		CHK KEAN ALAN 25MAR2013															
TOLERANCES UNLESS OTHERWISE SPECIFIED:		APVD MARIO APPELLO 25MAR2013	NAME SNAP-ON MARKER STB/STD SIZE 06 WITH APPLICATOR														
<table border="1"> <tr><td>0 PLC</td><td>± -</td></tr> <tr><td>1 PLC</td><td>± -</td></tr> <tr><td>2 PLC</td><td>± -</td></tr> <tr><td>3 PLC</td><td>± -</td></tr> <tr><td>4 PLC</td><td>± -</td></tr> <tr><td>ANGLES</td><td>± -</td></tr> </table>		0 PLC	± -	1 PLC	± -	2 PLC	± -	3 PLC	± -	4 PLC	± -	ANGLES	± -	PRODUCT SPEC -	-		
0 PLC	± -																
1 PLC	± -																
2 PLC	± -																
3 PLC	± -																
4 PLC	± -																
ANGLES	± -																
MATERIAL -		FINISH -	APPLICATION SPEC -	SIZE A3	CAGE CODE C2290	DRAWING NO C-8-1198163-2	RESTRICTED TO -										
CUSTOMER DRAWING			WEIGHT -	SCALE NTS	SHEET 1 OF 3	REV 3											

P	LTR	DESCRIPTION	DATE	DWN	APVD
-	-	SEE SHEET 1	-	-	-



6.6 REF.

6±0.5



THIS DRAWING IS A CONTROLLED DOCUMENT.		DWN RAGHAVENDRA K 25MAR2013	TE Connectivity				
DIMENSIONS: mm		CHK KEAN ALAN 25MAR2013					
TOLERANCES UNLESS OTHERWISE SPECIFIED:		APVD MARIO APPELLO 25MAR2013	NAME SNAP-ON MARKER STB/STD SIZE 06 WITH APPLICATOR				
0 PLC ± - 1 PLC ± - 2 PLC ± - 3 PLC ± - 4 PLC ± - ANGLES ± -		PRODUCT SPEC -	APPLICATION SPEC -				
MATERIAL -		FINISH -	WEIGHT -	SIZE A3	CAGE CODE C2290	DRAWING NO G-8-1198163-2	RESTRICTED TO -
CUSTOMER DRAWING			SCALE NTS	SHEET 2 OF 3	REV 3		

REVISIONS

P	LTR	DESCRIPTION	DATE	DWN	APVD
	-	SEE SHEET 1	-	-	-

DESCRIPTION	PART NO.
STB06-0-0	3-1768038-3
STB06-1-1	3-1768038-8
STB06-2-2	4-1768038-4
STB06-2-6	4-1768038-6
STB06-3-3	5-1768038-0
STB06-5-5	6-1768038-0
STB06-6-6	6-1768038-5
STB06-7-7	7-1768038-1
STB06-8-8	7-1768038-6
STB06-BLANK-0	8-1768038-4
STB06-BLANK-1	8-1768038-5
STB06-BLANK-2	8-1768038-6
STB06-BLANK-3	8-1768038-7
STB06-BLANK-5	8-1768038-8
STB06-BLANK-6	8-1768038-9
STB06-BLANK-7	9-1768038-0
STB06-BLANK-8	9-1768038-1
STD06W/1-12	7-1768710-7
STD06W/1-18	7-1768710-8
STD06W/SA	8-1768043-7
STD06W/SAB	8-1768043-8
STD06W/SB	8-1768043-9
STD06W-0	134056-000
STD06W-1	712904-000
STD06W-2	478630-000
STD06W-3	991038-000
STD06W-4	662434-000
STD06W-5	531934-000
STD06W-6	177598-000
STD06W-7	632126-000
STB06-1-6	4-1768038-1
STB06-T-2	9-1768038-8
STB06-0-2	3-1768038-4

DESCRIPTION	PART NO.
STD06W-8	384682-000
STD06W-9	965848-000
STD06W-A	465694-000
STD06W-AC	9-1768043-0
STD06W-A-LC	9-1768043-1
STD06W-B	390550-000
STD06W-BLANK	114376-000
STD06W-B-LC	9-1768043-2
STD06W-C	286932-000
STD06W-COLON	046438-000
STD06W-D	651444-000
STD06W-DOT	9-1768043-4
STD06W-E	574158-000
STD06W-EARTH	9-1768043-5
STD06W-F	235542-000
STD06W-G	578874-000
STD06W-H	459916-000
STD06W-I	195488-000
STD06W-J	257040-000
STD06W-K	573384-000
STD06W-K-LC	1768044-2
STD06W-L	234826-000
STD06W-L-LC	1768044-3
STD06W-M	273236-000
STD06W-MINUS	1768044-4
STD06W-N	928608-000
STD06W-N-LC	1768044-6
STD06W-P	588992-000
STD06W-PLUS	1768044-7
STD06W-Q	168296-000
STB06-1-2	3-1768038-9
STB06-7-2	6-1768038-9
STB06-8-2	7-1768038-4

DESCRIPTION	PART NO.
STD06W-R	455404-000
STD06W-S	220668-000
STD06W-SLASH	094824-000
STD06W-T	819568-000
STD06W-U	639630-000
STD06W-V	683320-000
STD06W-W	015462-000
STD06W-X	061564-000
STD06W-Y	004924-000
STD06W-Z	217706-000
STD06Y/SA	1-1768044-1
STD06Y-0	459072-000
STD06Y-1	474550-000
STD06Y-2	493356-000
STD06Y-3	444122-000
STD06Y-4	805984-000
STD06Y-5	092458-000
STD06Y-6	226310-000
STD06Y-7	677496-000
STD06Y-8	729268-000
STD06Y-9	978452-000
STD06Y-A	087406-000
STD06Y-AC	1-1768044-4
STD06Y-A-LC	1-1768044-5
STD06Y-B	757816-000
STD06Y-BLANK	1-1768044-6
STD06Y-B-LC	1-1768044-7
STD06Y-C	621660-000
STD06Y-COLON	1-1768044-8
STD06Y-D	661096-000

DESCRIPTION	PART NO.
STD06Y-D-LC	1-1768044-9
STD06Y-DOT	2-1768044-0
STD06Y-E	056868-000
STD06Y-EARTH	2-1768044-1
STD06Y-E-LC	2-1768044-2
STD06Y-F	863870-000
STD06Y-G	203428-000
STD06Y-H	582580-000
STD06Y-I	945988-000
STD06Y-J	301972-000
STD06Y-K	668832-000
STD06Y-L	001308-000
STD06Y-L-LC	2-1768044-8
STD06Y-M	682660-000
STD06Y-MINUS	2-1768044-9
STD06Y-N	858346-000
STD06Y-N-LC	3-1768044-1
STD06Y-P	033374-000
STD06Y-PLUS	E52054-000
STD06Y-Q	675790-000
STD06Y-R	168706-000
STD06Y-S	074826-000
STD06Y-SLASH	562584-000
STD06Y-T	836378-000
STD06Y-U	816500-000
STD06Y-V	709862-000
STD06Y-W	976882-000
STD06Y-X	424858-000
STD06Y-Y	067448-000
STD06Y-Z	930240-000

4

4

4

4

4

4

4

4

4

4

4

4 OBSOLETE PART

THIS DRAWING IS A CONTROLLED DOCUMENT.

DIMENSIONS: mm	TOLERANCES UNLESS OTHERWISE SPECIFIED:
	0 PLC ± -
	1 PLC ± -
	2 PLC ± -
	3 PLC ± -
	4 PLC ± -
	ANGLES ± -

MATERIAL - FINISH -

DWN RAGHAVENDRA K 25MAR2013
CHK KEAN ALAN 25MAR2013

APVD MARIO APPELLO 25MAR2013
PRODUCT SPEC

APPLICATION SPEC

WEIGHT -

NAME SNAP-ON MARKER STB/STD SIZE 06 WITH APPLICATOR

SIZE A3 CAGE CODE C2290 DRAWING NO C-8-1198163-2 RESTRICTED TO -

SCALE NTS SHEET 3 OF 3 REV 3

CUSTOMER DRAWING



X-ON Electronics

Largest Supplier of Electrical and Electronic Components

Click to view similar products for [Wire Labels & Markers](#) category:

Click to view products by [TE Connectivity](#) manufacturer:

Other Similar products are found below :

[89078GBEST](#) [89082GBESR](#) [89082GBEST](#) [PCL025-4](#) [5761-2SF](#) [58400](#) [586R734H02](#) [M1.040.0000.6](#) [CRS-CM5M](#) [CRS-M18M](#) [CS1836-000](#) [CS8626-000](#) [CU6337-000](#) [CU6342-000](#) [CU6343-000](#) [CWD01-0](#) [CWD012-0](#) [CWD012-7](#) [CWD015-3](#) [CWD015-7](#) [CWD02-0](#) [CWD02-3](#) [CWD02-4](#) [CWD02-6](#) [CWD02-8](#) [CWD02-A](#) [CWD02-D](#) [CWD02-H](#) [CWD02-K](#) [CWD02-L](#) [CWD02-M](#) [CWD02-P](#) [CWD02-Q](#) [CWD02-R](#) [CWD02-U](#) [CWD02-W](#) [CWD02-Y](#) [CWD03-+](#) [CWD03-0](#) [CWD03-P](#) [CWD06-0](#) [CWD06-8](#) [CWD06-9](#) [CWD06-L](#) [CWD06-N](#) [CWD09-0](#) [CWD09-5](#) [CWD09-7](#) [6806810001](#) [CZ2857-000](#)