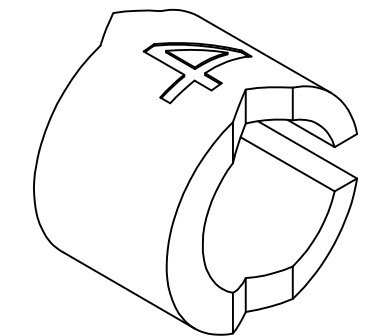
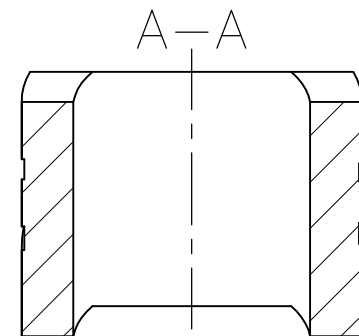
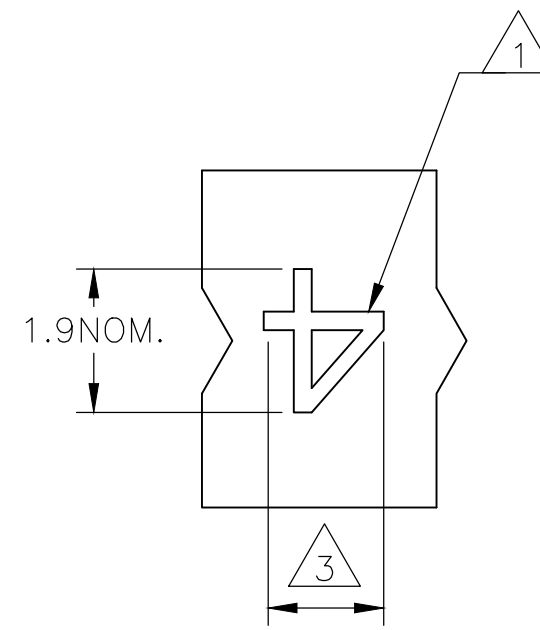
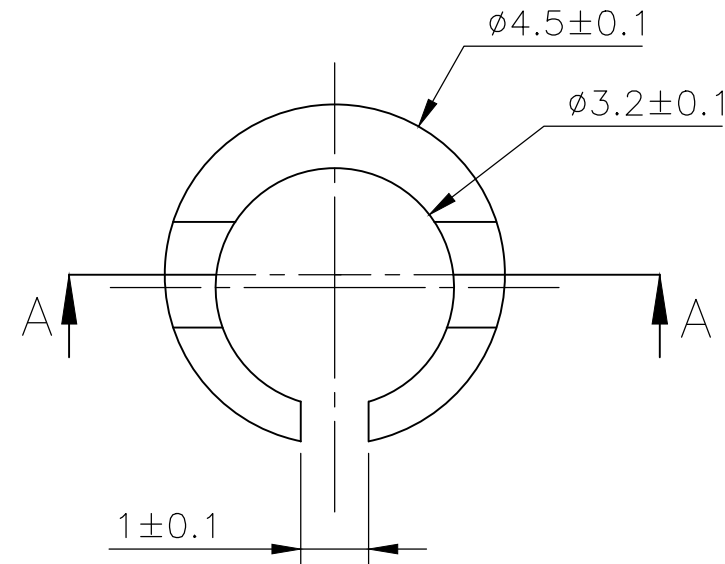
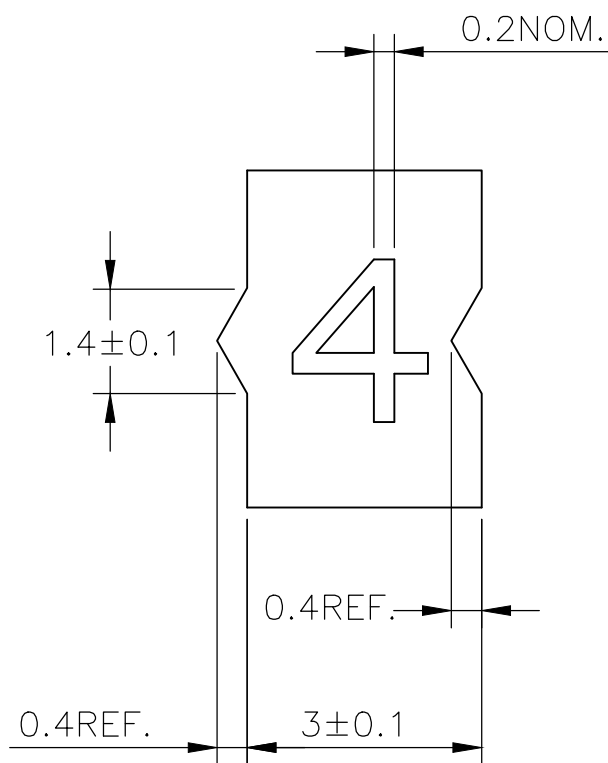


| P | LTR | DESCRIPTION | DATE | DWN | APVD |
|---|-----|---------------------------|-----------|-----|------|
| 6 | | REVISED PER ECR-20-010947 | 04AUG2020 | GK | AK |

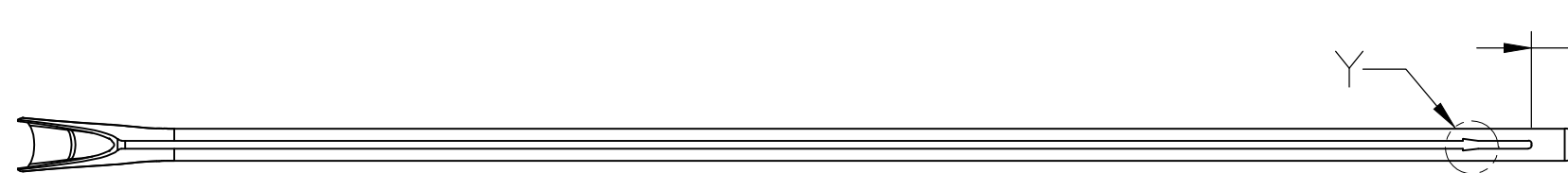
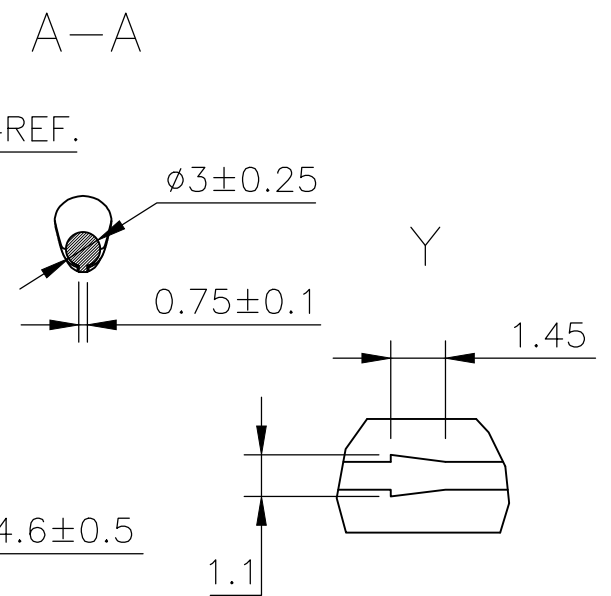
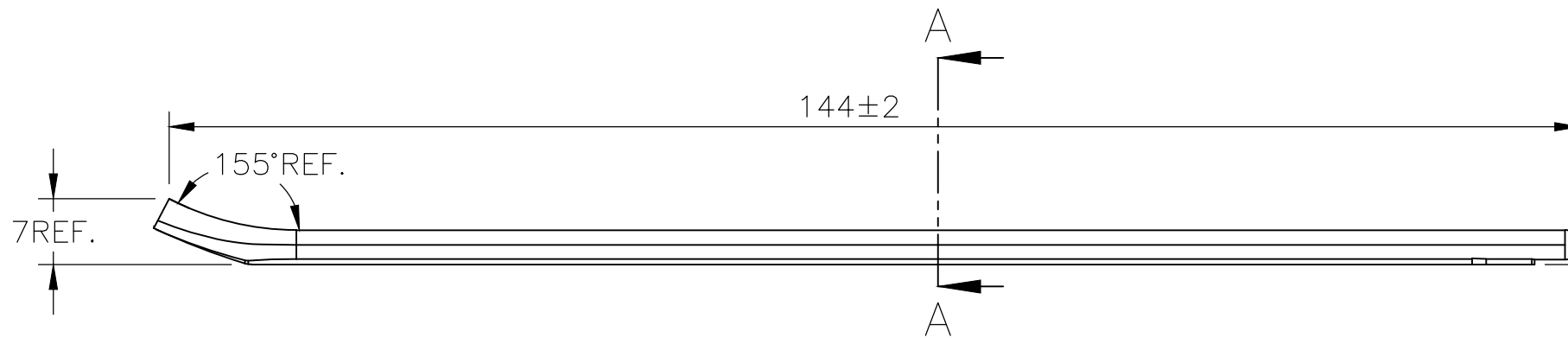
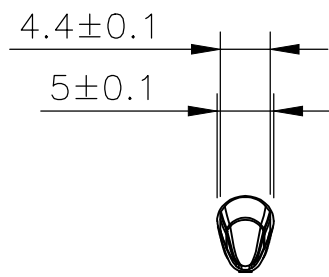
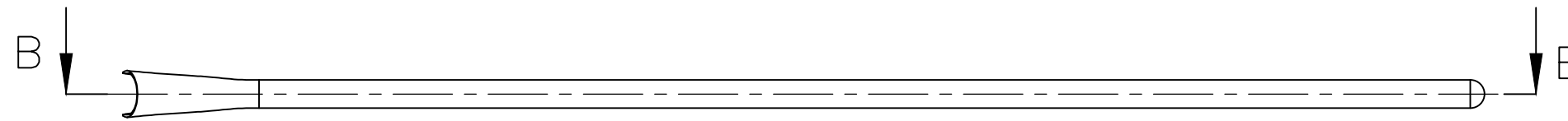
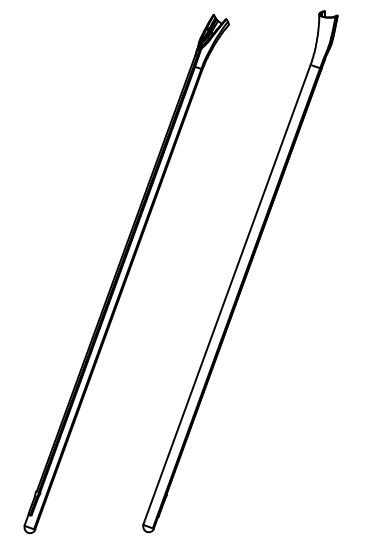
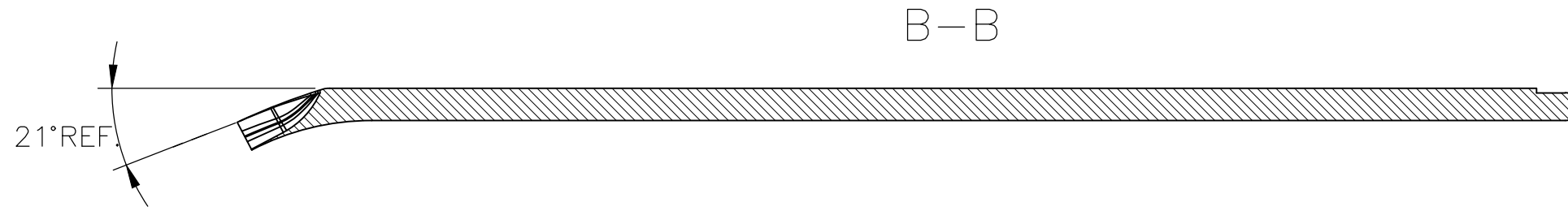


NOTES:

- △1 FOR PART NUMBERS SEE SHEET 3 OF 3.
- △2 MARK SHOULD BE CENTRALLY POSITIONED ± 0.1 mm
- △3 WIDTH OF MARK DEPENDS ON CHARACTER PRINTED

| | | | | | | | | | | | | | | | | | |
|--|-----|------------------------------------|--|-----------|---------------|---------------|-----|-------|-----|-------|-----|--------|-----|------------------|---|--|--|
| THIS DRAWING IS A CONTROLLED DOCUMENT. | | DWN RAGHAVENDRA K 23MAR2013 | TE Connectivity | | | | | | | | | | | | | | |
| | | CHK KEAN ALAN 23MAR2013 | | | | | | | | | | | | | | | |
| DIMENSIONS: mm | | APVD MARIO APPELLO 23MAR2013 | NAME SNAP-ON MARKER STB/STD SIZE 09 WITH APPLICATOR | | | | | | | | | | | | | | |
| TOLERANCES UNLESS OTHERWISE SPECIFIED: | | PRODUCT SPEC | - | | | | | | | | | | | | | | |
| <table border="0"> <tr><td>0 PLC</td><td>± -</td></tr> <tr><td>1 PLC</td><td>± -</td></tr> <tr><td>2 PLC</td><td>± -</td></tr> <tr><td>3 PLC</td><td>± -</td></tr> <tr><td>4 PLC</td><td>± -</td></tr> <tr><td>ANGLES</td><td>± -</td></tr> </table> | | 0 PLC | ± - | 1 PLC | ± - | 2 PLC | ± - | 3 PLC | ± - | 4 PLC | ± - | ANGLES | ± - | APPLICATION SPEC | - | | |
| 0 PLC | ± - | | | | | | | | | | | | | | | | |
| 1 PLC | ± - | | | | | | | | | | | | | | | | |
| 2 PLC | ± - | | | | | | | | | | | | | | | | |
| 3 PLC | ± - | | | | | | | | | | | | | | | | |
| 4 PLC | ± - | | | | | | | | | | | | | | | | |
| ANGLES | ± - | | | | | | | | | | | | | | | | |
| MATERIAL | | WEIGHT | SIZE | CAGE CODE | DRAWING NO | RESTRICTED TO | | | | | | | | | | | |
| - | | - | A3 | C2290 | C-1-1198185-1 | - | | | | | | | | | | | |
| CUSTOMER DRAWING | | | SCALE | SHEET | REV | | | | | | | | | | | | |
| | | | NTS | 1 OF 3 | 6 | | | | | | | | | | | | |

| P | LTR | DESCRIPTION | DATE | DWN | APVD |
|---|-----|-------------|------|-----|------|
| - | - | SEE SHEET 1 | - | - | - |



| | | | | | |
|--|--|------------------------------------|--|---------------|---------------|
| THIS DRAWING IS A CONTROLLED DOCUMENT. | | DWN RAGHAVENDRA K 23MAR2013 | STE TE Connectivity | | |
| | | CHK KEAN ALAN 23MAR2013 | | | |
| DIMENSIONS: mm | | APVD MARIO APPELLO 23MAR2013 | NAME SNAP-ON MARKER STB/STD SIZE 09 WITH APPLICATOR | | |
| TOLERANCES UNLESS OTHERWISE SPECIFIED: | | PRODUCT SPEC | - | | |
| 0 PLC ± - | | APPLICATION SPEC | - | | |
| 1 PLC ± - | | WEIGHT | - | | |
| 2 PLC ± - | | SIZE | CAGE CODE | DRAWING NO | RESTRICTED TO |
| 3 PLC ± - | | A3 | C2290 | G-1-1198185-1 | - |
| 4 PLC ± - | | CUSTOMER DRAWING | | | |
| ANGLES ± - | | SCALE | SHEET | REV | |
| FINISH - | | NTS | 2 OF 3 | 6 | |

REVISIONS

| P | LTR | DESCRIPTION | DATE | DWN | APVD |
|---|-----|-------------|------|-----|------|
| | - | SEE SHEET 1 | - | - | - |

| DESCRIPTION | PART NO. |
|---------------|-------------|
| STB09-0-0 | 1768039-4 |
| STB09-1-1 | 1768039-6 |
| STB09-2-2 | 1768039-9 |
| STB09-3-3 | 1-1768039-2 |
| STB09-5-5 | 1-1768039-6 |
| STB09-6-6 | 1-1768039-8 |
| STB09-7-7 | 1-1768039-9 |
| STB09-8-8 | 2-1768039-0 |
| STB09-BLANK-0 | 2-1768039-4 |
| STB09-BLANK-1 | 2-1768039-5 |
| STB09-BLANK-2 | 2-1768039-6 |
| STB09-BLANK-3 | 2-1768039-7 |
| STB09-BLANK-5 | 2-1768039-8 |
| STB09-BLANK-6 | 2-1768039-9 |
| STB09-BLANK-7 | 3-1768039-0 |
| STB09-BLANK-8 | 3-1768039-1 |
| STD09W/1-12 | 7-1768710-9 |
| STD09W/SA | 3-1768044-5 |
| STD09W/SAB | 3-1768044-6 |
| STD09W-0 | 808756-000 |
| STD09W-1 | 564314-000 |
| STD09W-2 | 881128-000 |
| STD09W-3 | 451612-000 |
| STD09W-4 | 776688-000 |
| STD09W-5 | 411220-000 |
| STD09W-6 | 062724-000 |
| STD09W-7 | 638470-000 |
| STD09Y-SLASH | 792924-000 |
| STB09-C-2 | 3-1768039-2 |
| STB09-T-2 | 4-1768039-2 |
| STD09W-AC | 3-1768044-8 |
| STD09Y/SA | 5-1768044-7 |

| DESCRIPTION | PART NO. |
|------------------------|------------------------|
| STD09W-8 | 671050-000 |
| STD09W-9 | 519158-000 |
| STD09W-A | 317872-000 |
| STD09W-A-LC | 3-1768044-9 |
| STD09W-B | 929926-000 |
| STD09W-BLANK | 4-1768044-0 |
| STD09W-B-LC | 4-1768044-1 |
| STD09W-C | 595148-000 |
| STD09W-COLON | 950990-000 |
| STD09W-D | 535494-000 |
| STD09W-D-LC | 4-1768044-2 |
| STD09W-DOT | 4-1768044-3 |
| STD09W-E | 318782-000 |
| STD09W-EARTH | 4-1768044-4 |
| STD09W-F | 778086-000 |
| STD09W-G | 362886-000 |
| STD09W-H | 659958-000 |
| STD09W-I | 234392-000 |
| STD09W-J | 429560-000 |
| STD09W-K | 594054-000 |
| STD09W-K-LC | 5-1768044-0 |
| STD09W-L | 591020-000 |
| STD09W-L-LC | 5-1768044-1 |
| STD09W-M | 853188-000 |
| STD09W-MINUS | 5-1768044-2 |
| STD09W-N | 547972-000 |
| STD09W-P | 294582-000 |

| DESCRIPTION | PART NO. |
|--------------|-------------|
| STD09W-PLUS | 5-1768044-5 |
| STD09W-Q | 702368-000 |
| STD09W-R | 071620-000 |
| STD09W-S | 701134-000 |
| STD09W-SLASH | 190726-000 |
| STD09W-T | 594256-000 |
| STD09W-U | 588548-000 |
| STD09W-V | 651644-000 |
| STD09W-W | 910358-000 |
| STD09W-X | 697154-000 |
| STD09W-Y | 068920-000 |
| STD09W-Z | 952914-000 |
| STD09Y-0 | 047316-000 |
| STD09Y-1 | 064090-000 |
| STD09Y-2 | 700690-000 |
| STD09Y-3 | 410908-000 |
| STD09Y-4 | 422172-000 |
| STD09Y-5 | 131226-000 |
| STD09Y-6 | 746782-000 |
| STD09Y-7 | 007980-000 |
| STD09Y-8 | 634544-000 |
| STD09Y-9 | 645636-000 |
| STD09Y-A | 862816-000 |
| STD09Y-AC | 6-1768044-0 |
| STD09Y-B | 036610-000 |
| STD09Y-BLANK | 6-1768044-2 |
| STD09Y-C | 452642-000 |

| DESCRIPTION | PART NO. |
|--------------|-------------|
| STD09Y-COLON | 6-1768044-4 |
| STD09Y-D | 281690-000 |
| STD09Y-DOT | 6-1768044-6 |
| STD09Y-E | 882530-000 |
| STD09Y-EARTH | 6-1768044-7 |
| STD09Y-F | 017172-000 |
| STD09Y-G | 112902-000 |
| STD09Y-H | 075034-000 |
| STD09Y-I | 769976-000 |
| STD09Y-J | 327448-000 |
| STD09Y-K | 672532-000 |
| STD09Y-L | 509762-000 |
| STD09Y-M | 205508-000 |
| STD09Y-MINUS | 7-1768044-5 |
| STD09Y-N | 667860-000 |
| STD09Y-P | 597516-000 |
| STD09Y-PLUS | 7-1768044-8 |
| STD09Y-Q | 247002-000 |
| STD09Y-R | 920140-000 |
| STD09Y-S | 590022-000 |
| STD09Y-T | 497634-000 |
| STD09Y-U | 491394-000 |
| STD09Y-V | 423154-000 |
| STD09Y-W | 365646-000 |
| STD09Y-X | 523918-000 |
| STD09Y-Y | 362942-000 |
| STD09Y-Z | 322370-000 |

4

4

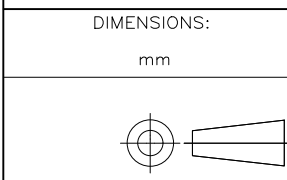
4

4

4

4 OBSOLETE PART

THIS DRAWING IS A CONTROLLED DOCUMENT.



| DIMENSIONS: | TOLERANCES UNLESS OTHERWISE SPECIFIED: |
|-------------|--|
| mm | |
| 0 PLC | ± - |
| 1 PLC | ± - |
| 2 PLC | ± - |
| 3 PLC | ± - |
| 4 PLC | ± - |
| ANGLES | ± - |
| FINISH | - |

| | | |
|------------------|-----------|---------------|
| DWN | 23MAR2013 | RAGHAVENDRA K |
| CHK | 23MAR2013 | KEAN ALAN |
| APVD | 23MAR2013 | MARIO APPELLO |
| PRODUCT SPEC | - | - |
| APPLICATION SPEC | - | - |
| WEIGHT | - | - |
| CUSTOMER DRAWING | | |



| | | | |
|-------|-----------|--|---------------|
| NAME | | SNAP-ON MARKER STB/STD SIZE 09 WITH APPLICATOR | |
| SIZE | CAGE CODE | DRAWING NO | RESTRICTED TO |
| A3 | C2290 | C-1-1198185-1 | - |
| SCALE | NTS | SHEET | 3 OF 3 |
| REV | 6 | | |

X-ON Electronics

Largest Supplier of Electrical and Electronic Components

Click to view similar products for [Wire Labels & Markers](#) category:

Click to view products by [TE Connectivity](#) manufacturer:

Other Similar products are found below :

[89078GBEST](#) [89082GBESR](#) [89082GBEST](#) [PCL025-4](#) [5761-2SF](#) [58400](#) [586R734H02](#) [M1.040.0000.6](#) [CRS-CM5M](#) [CRS-M18M](#) [CS1836-000](#) [CS8626-000](#) [CU6337-000](#) [CU6342-000](#) [CU6343-000](#) [CWD01-0](#) [CWD012-0](#) [CWD012-7](#) [CWD015-3](#) [CWD015-7](#) [CWD02-0](#) [CWD02-3](#) [CWD02-4](#) [CWD02-6](#) [CWD02-8](#) [CWD02-A](#) [CWD02-D](#) [CWD02-H](#) [CWD02-K](#) [CWD02-L](#) [CWD02-M](#) [CWD02-P](#) [CWD02-Q](#) [CWD02-R](#) [CWD02-U](#) [CWD02-W](#) [CWD02-Y](#) [CWD03-+](#) [CWD03-0](#) [CWD03-P](#) [CWD06-0](#) [CWD06-8](#) [CWD06-9](#) [CWD06-L](#) [CWD06-N](#) [CWD09-0](#) [CWD09-5](#) [CWD09-7](#) [6806810001](#) [CZ2857-000](#)