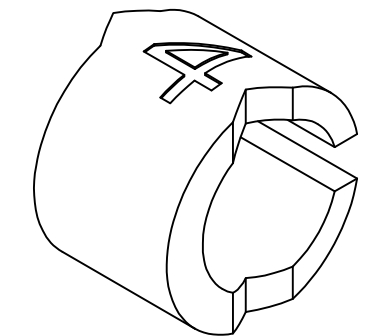
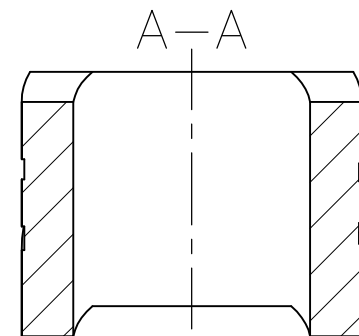
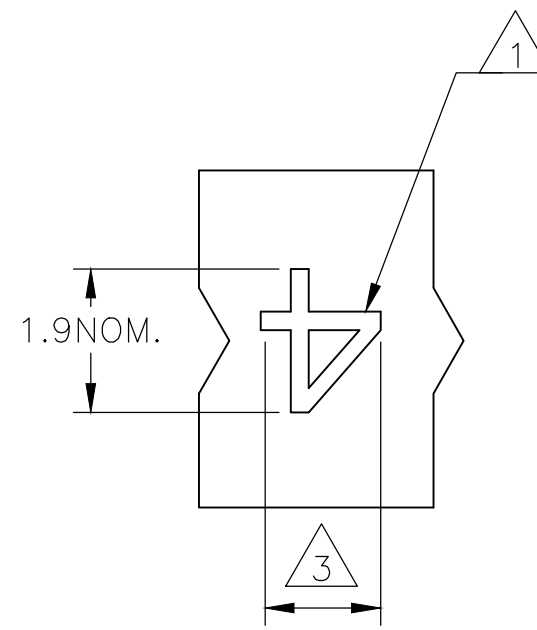
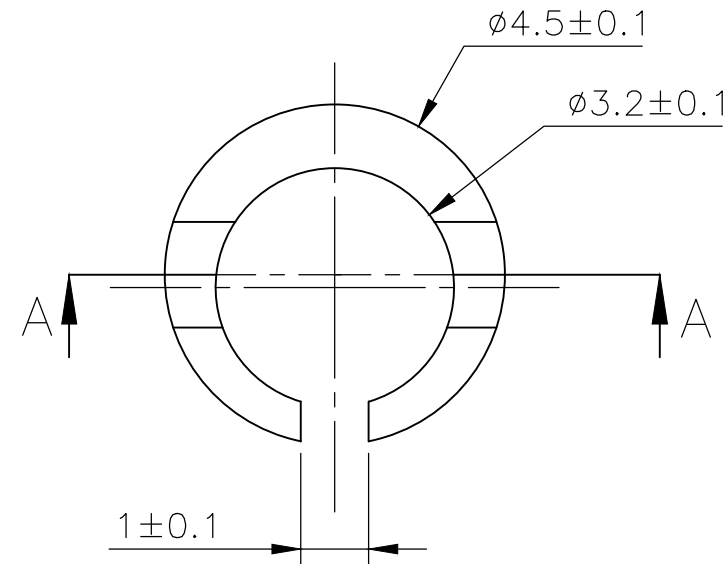
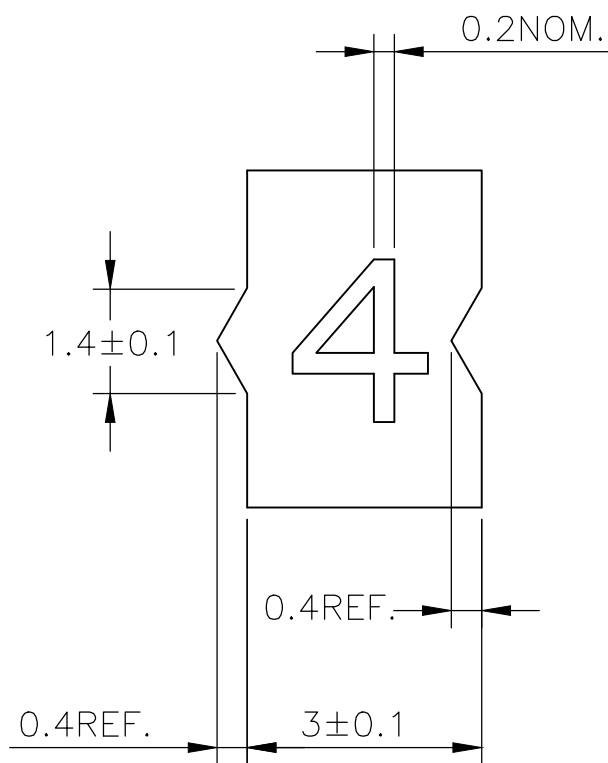


P	LTR	DESCRIPTION	DATE	DWN	APVD
	6	REVISED PER ECR-20-010947	04AUG2020	GK	AK



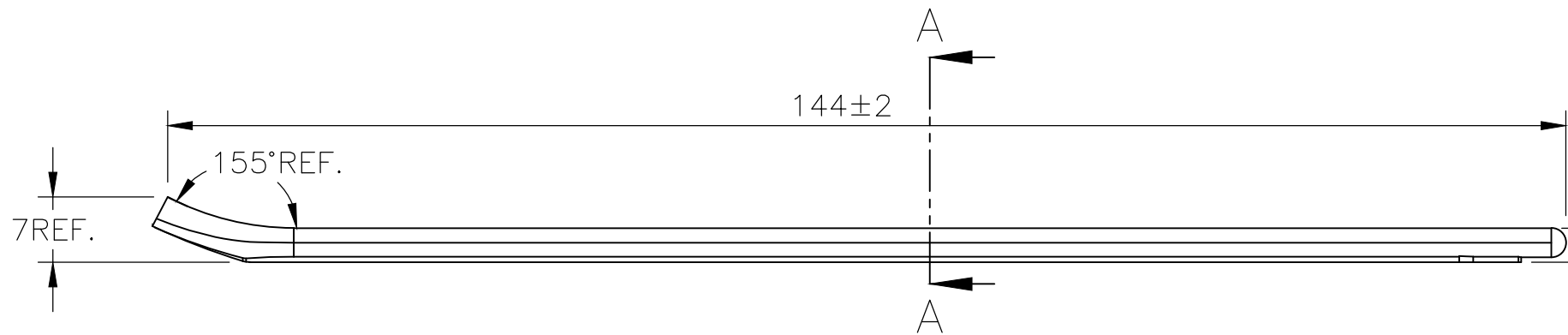
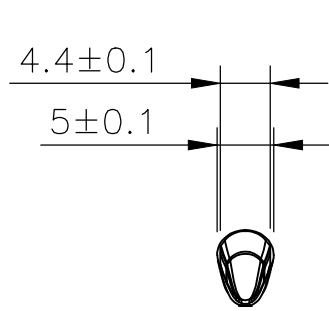
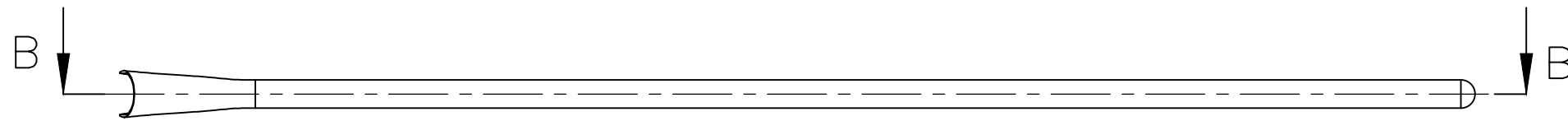
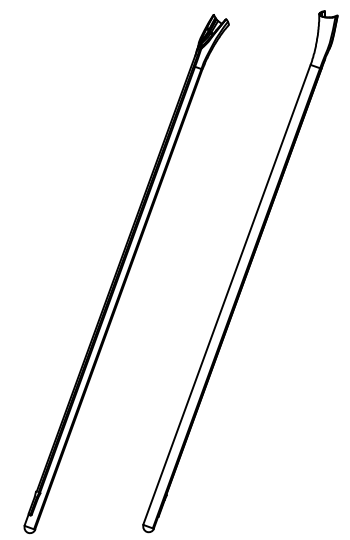
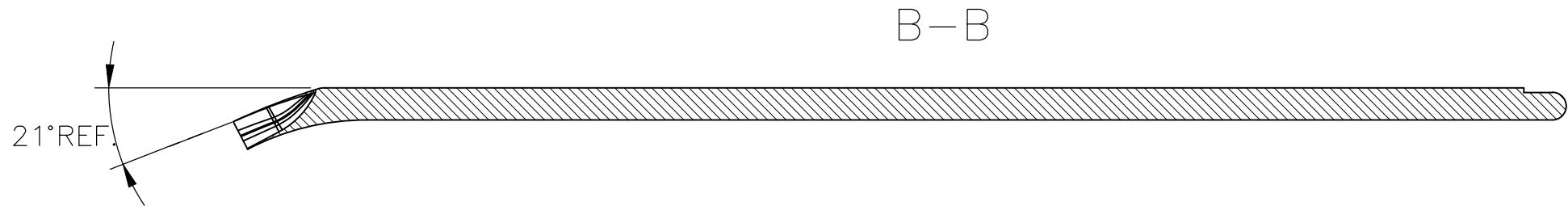
NOTES:

- △1 FOR PART NUMBERS SEE SHEET 3 OF 3.
- △2 MARK SHOULD BE CENTRALLY POSITIONED ± 0.1 mm
- △3 WIDTH OF MARK DEPENDS ON CHARACTER PRINTED

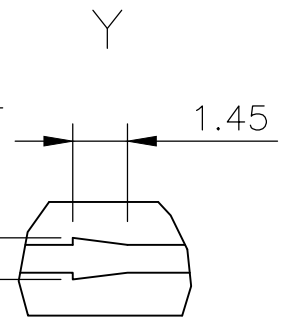
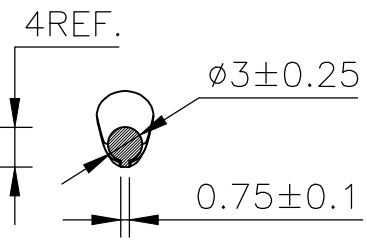
THIS DRAWING IS A CONTROLLED DOCUMENT.		DWN RAGHAVENDRA K 23MAR2013	TE Connectivity														
		CHK KEAN ALAN 23MAR2013															
DIMENSIONS: mm		APVD MARIO APPELLO 23MAR2013	NAME SNAP-ON MARKER STB/STD SIZE 09 WITH APPLICATOR														
TOLERANCES UNLESS OTHERWISE SPECIFIED:		PRODUCT SPEC	-														
<table border="0"> <tr><td>0 PLC</td><td>± -</td></tr> <tr><td>1 PLC</td><td>± -</td></tr> <tr><td>2 PLC</td><td>± -</td></tr> <tr><td>3 PLC</td><td>± -</td></tr> <tr><td>4 PLC</td><td>± -</td></tr> <tr><td>ANGLES</td><td>± -</td></tr> </table>		0 PLC	± -	1 PLC	± -	2 PLC	± -	3 PLC	± -	4 PLC	± -	ANGLES	± -	APPLICATION SPEC	-		
0 PLC	± -																
1 PLC	± -																
2 PLC	± -																
3 PLC	± -																
4 PLC	± -																
ANGLES	± -																
MATERIAL		WEIGHT	SIZE	CAGE CODE	DRAWING NO	RESTRICTED TO											
-		-	A3	C2290	C-1-1198185-1	-											
CUSTOMER DRAWING			SCALE	SHEET	REV												
			NTS	1 OF 3	6												

REVISIONS

P	LTR	DESCRIPTION	DATE	DWN	APVD
-	-	SEE SHEET 1	-	-	-



A-A



THIS DRAWING IS A CONTROLLED DOCUMENT.

DWN 23MAR2013 RAGHAVENDRA K

CHK 23MAR2013 KEAN ALAN

APVD 23MAR2013 MARIO APPELLO

PRODUCT SPEC

APPLICATION SPEC

WEIGHT -

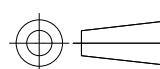


NAME SNAP-ON MARKER STB/STD SIZE 09 WITH APPLICATOR

SIZE	CAGE CODE	DRAWING NO	RESTRICTED TO
A3	C2290	G-1-1198185-1	-

DIMENSIONS:

mm



TOLERANCES UNLESS OTHERWISE SPECIFIED:

0 PLC	± -
1 PLC	± -
2 PLC	± -
3 PLC	± -
4 PLC	± -
ANGLES	± -

MATERIAL

-

FINISH

-

CUSTOMER DRAWING

SCALE NTS

SHEET 2 OF 3

REV 6

REVISIONS

P	LTR	DESCRIPTION	DATE	DWN	APVD
	-	SEE SHEET 1	-	-	-

DESCRIPTION	PART NO.
STB09-0-0	1768039-4
STB09-1-1	1768039-6
STB09-2-2	1768039-9
STB09-3-3	1-1768039-2
STB09-5-5	1-1768039-6
STB09-6-6	1-1768039-8
STB09-7-7	1-1768039-9
STB09-8-8	2-1768039-0
STB09-BLANK-0	2-1768039-4
STB09-BLANK-1	2-1768039-5
STB09-BLANK-2	2-1768039-6
STB09-BLANK-3	2-1768039-7
STB09-BLANK-5	2-1768039-8
STB09-BLANK-6	2-1768039-9
STB09-BLANK-7	3-1768039-0
STB09-BLANK-8	3-1768039-1
STD09W/1-12	7-1768710-9
STD09W/SA	3-1768044-5
STD09W/SAB	3-1768044-6
STD09W-0	808756-000
STD09W-1	564314-000
STD09W-2	881128-000
STD09W-3	451612-000
STD09W-4	776688-000
STD09W-5	411220-000
STD09W-6	062724-000
STD09W-7	638470-000
STD09Y-SLASH	792924-000
STB09-C-2	3-1768039-2
STB09-T-2	4-1768039-2
STD09W-AC	3-1768044-8
STD09Y/SA	5-1768044-7

4

4

4

4

4

DESCRIPTION	PART NO.
STD09W-8	671050-000
STD09W-9	519158-000
STD09W-A	317872-000
STD09W-A-LC	3-1768044-9
STD09W-B	929926-000
STD09W-BLANK	4-1768044-0
STD09W-B-LC	4-1768044-1
STD09W-C	595148-000
STD09W-COLON	950990-000
STD09W-D	535494-000
STD09W-D-LC	4-1768044-2
STD09W-DOT	4-1768044-3
STD09W-E	318782-000
STD09W-EARTH	4-1768044-4
STD09W-F	778086-000
STD09W-G	362886-000
STD09W-H	659958-000
STD09W-I	234392-000
STD09W-J	429560-000
STD09W-K	594054-000
STD09W-K-LC	5-1768044-0
STD09W-L	591020-000
STD09W-L-LC	5-1768044-1
STD09W-M	853188-000
STD09W-MINUS	5-1768044-2
STD09W-N	547972-000
STD09W-P	294582-000

4 OBSOLETE PART

DESCRIPTION	PART NO.
STD09W-PLUS	5-1768044-5
STD09W-Q	702368-000
STD09W-R	071620-000
STD09W-S	701134-000
STD09W-SLASH	190726-000
STD09W-T	594256-000
STD09W-U	588548-000
STD09W-V	651644-000
STD09W-W	910358-000
STD09W-X	697154-000
STD09W-Y	068920-000
STD09W-Z	952914-000
STD09Y-0	047316-000
STD09Y-1	064090-000
STD09Y-2	700690-000
STD09Y-3	410908-000
STD09Y-4	422172-000
STD09Y-5	131226-000
STD09Y-6	746782-000
STD09Y-7	007980-000
STD09Y-8	634544-000
STD09Y-9	645636-000
STD09Y-A	862816-000
STD09Y-AC	6-1768044-0
STD09Y-B	036610-000
STD09Y-BLANK	6-1768044-2
STD09Y-C	452642-000

DESCRIPTION	PART NO.
STD09Y-COLON	6-1768044-4
STD09Y-D	281690-000
STD09Y-DOT	6-1768044-6
STD09Y-E	882530-000
STD09Y-EARTH	6-1768044-7
STD09Y-F	017172-000
STD09Y-G	112902-000
STD09Y-H	075034-000
STD09Y-I	769976-000
STD09Y-J	327448-000
STD09Y-K	672532-000
STD09Y-L	509762-000
STD09Y-M	205508-000
STD09Y-MINUS	7-1768044-5
STD09Y-N	667860-000
STD09Y-P	597516-000
STD09Y-PLUS	7-1768044-8
STD09Y-Q	247002-000
STD09Y-R	920140-000
STD09Y-S	590022-000
STD09Y-T	497634-000
STD09Y-U	491394-000
STD09Y-V	423154-000
STD09Y-W	365646-000
STD09Y-X	523918-000
STD09Y-Y	362942-000
STD09Y-Z	322370-000

THIS DRAWING IS A CONTROLLED DOCUMENT.

DIMENSIONS:	TOLERANCES UNLESS OTHERWISE SPECIFIED:
mm	
	0 PLC ± -
	1 PLC ± -
	2 PLC ± -
	3 PLC ± -
	4 PLC ± -
	ANGLES ± -
	FINISH

DWN	23MAR2013
RAGHAVENDRA K	
CHK	23MAR2013
KEAN ALAN	
APVD	23MAR2013
MARIO APPELLO	
PRODUCT SPEC	
APPLICATION SPEC	
WEIGHT	-



NAME SNAP-ON MARKER STB/STD SIZE 09 WITH APPLICATOR

SIZE	CAGE CODE	DRAWING NO	RESTRICTED TO
A3	C2290	C-1-1198185-1	-

X-ON Electronics

Largest Supplier of Electrical and Electronic Components

Click to view similar products for [Wire Identification](#) category:

Click to view products by [TE Connectivity](#) manufacturer:

Other Similar products are found below :

[CU6337-000](#) [CU6342-000](#) [FCA-410-12](#) [11631010](#) [1-1768037-1](#) [1-1768037-2](#) [1-1768050-0](#) [PXLK-VI](#) [Q62184-1](#) [A64304-000](#)

[HK032WE1NF038B](#) [1330-0519-10](#) [1395200-1](#) [1395202-1](#) [DMVF050WE-300S6](#) [D-SCE-1K-2.4-50-4-CS7834](#) [1538738-1](#) [E90935-000](#)

[EC1238-000](#) [EC1465-000](#) [EC1855-000](#) [EC1859-000](#) [EC1863-000](#) [EC5415-000](#) [EC7277-000](#) [EC7352-000](#) [EC7603-000](#) [EC7707-000](#)

[EC7735-000](#) [EC7768-000](#) [EC7828-000](#) [EC7854-000](#) [EC7952-000](#) [EC8128-000](#) [1768037-8](#) [1768041-7](#) [NC-127191-10-9](#)

[HS048WE2NF038B](#) [C03232-000](#) [HTCM-SCE-14-4H-9](#) [HTMS-3/16-9](#) [HT-SCE-1/4-2.0-4](#) [HT-SCE-3/16-2.0-4](#) [HTTMS-1/2-1.50-9](#) [HTTMS-](#)

[CM-1/2-4H-9](#) [HX-SCE-19.0-50-9](#) [HX-SCE-6.4-50-4](#) [C25254-000](#) [CA5939-000](#) [CA7155-000](#)