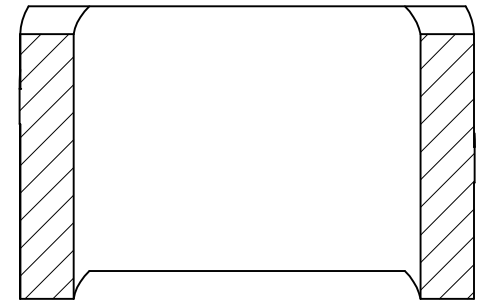
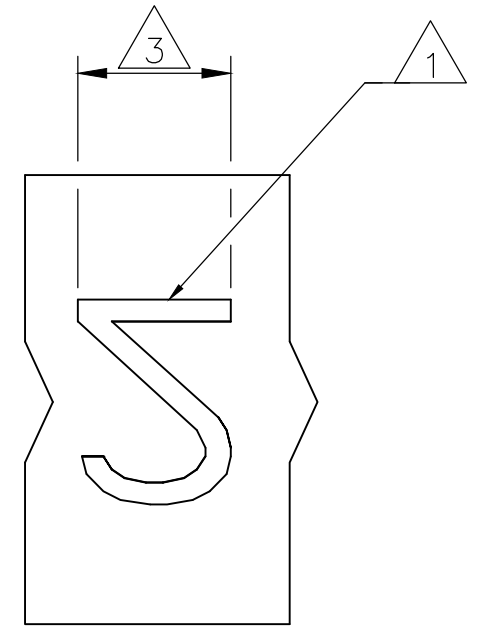
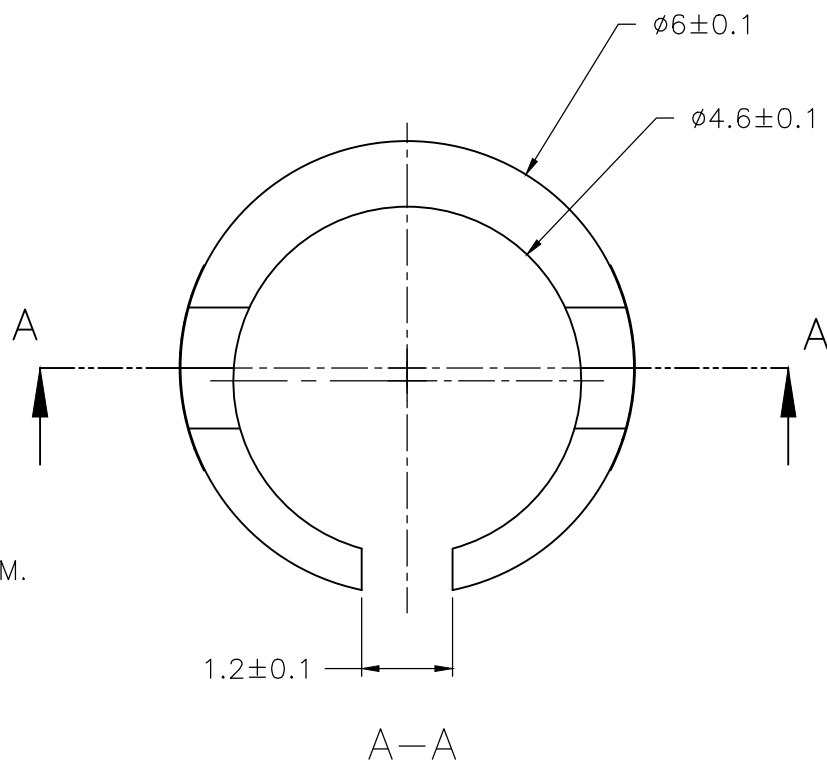
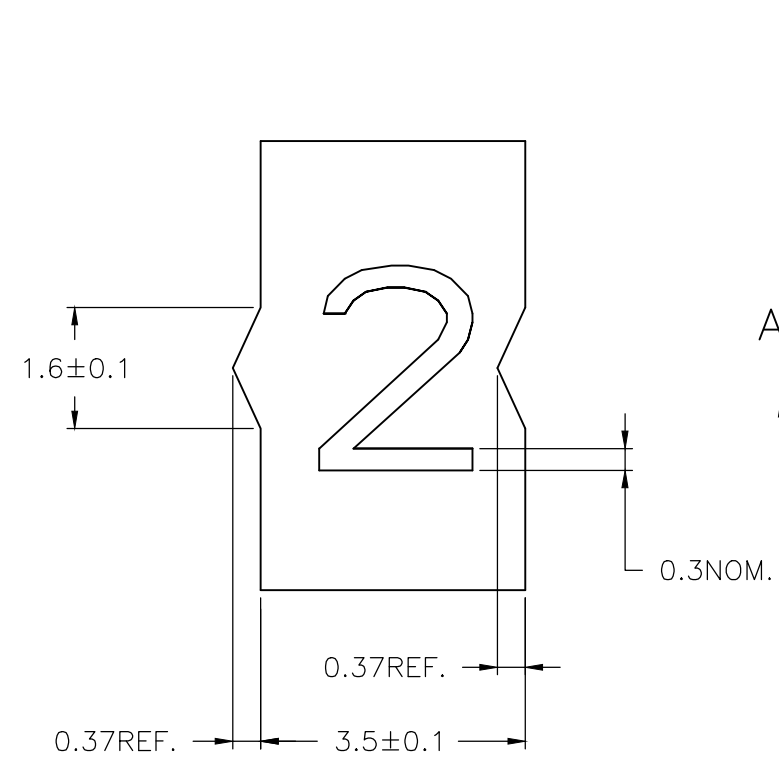


| P | LTR | DESCRIPTION | DATE | DWN | APVD |
|---|-----|---------------------------|-----------|-----|------|
| 3 | | REVISED PER ECR-20-010947 | 04AUG2020 | GK | KA |

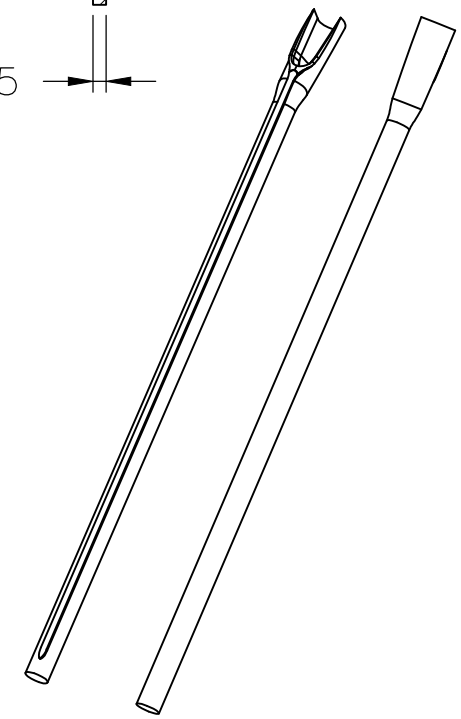
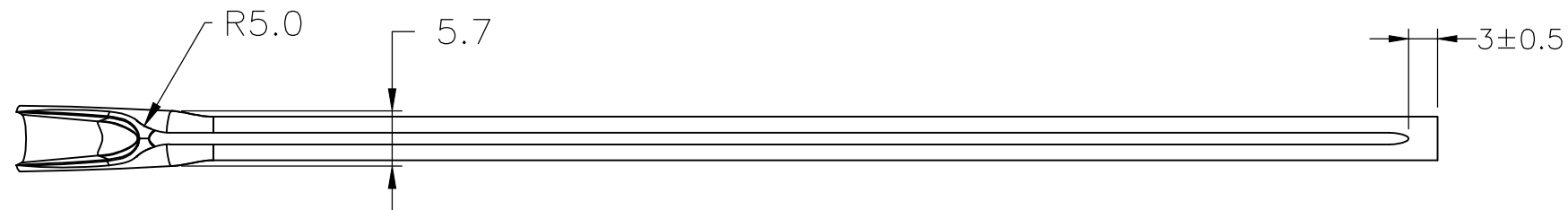
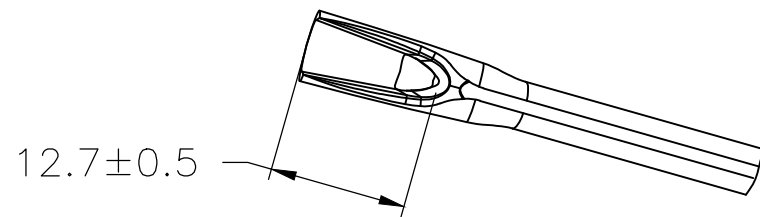
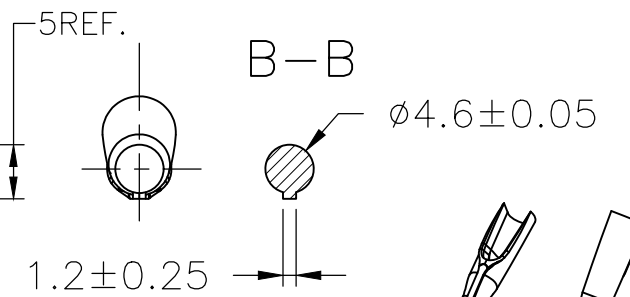
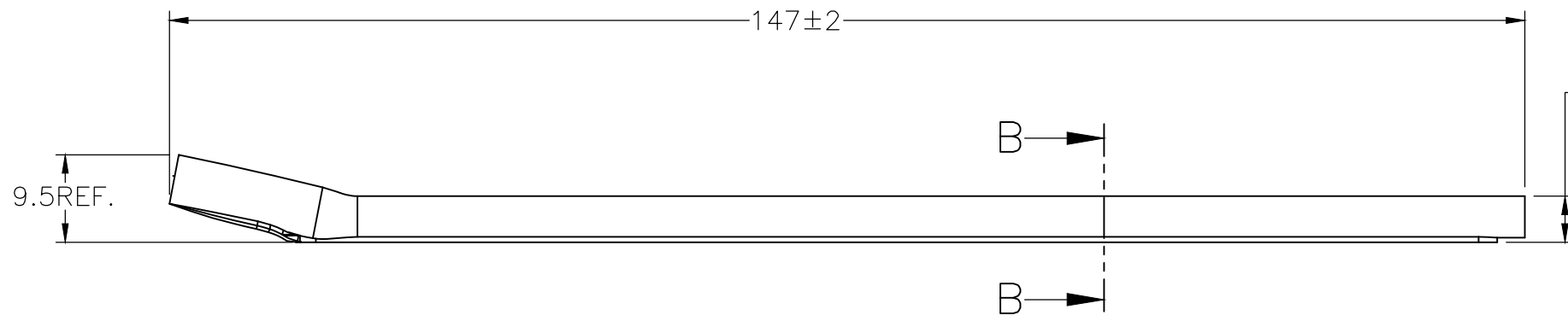
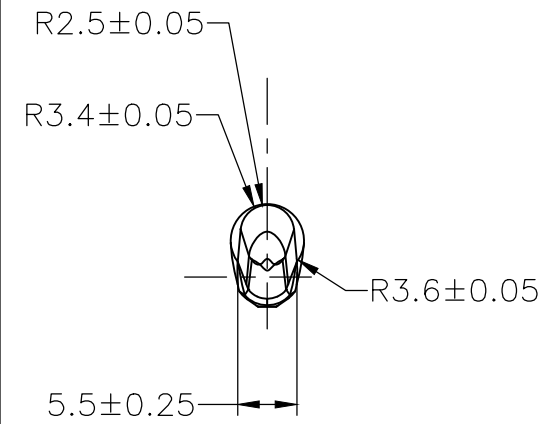
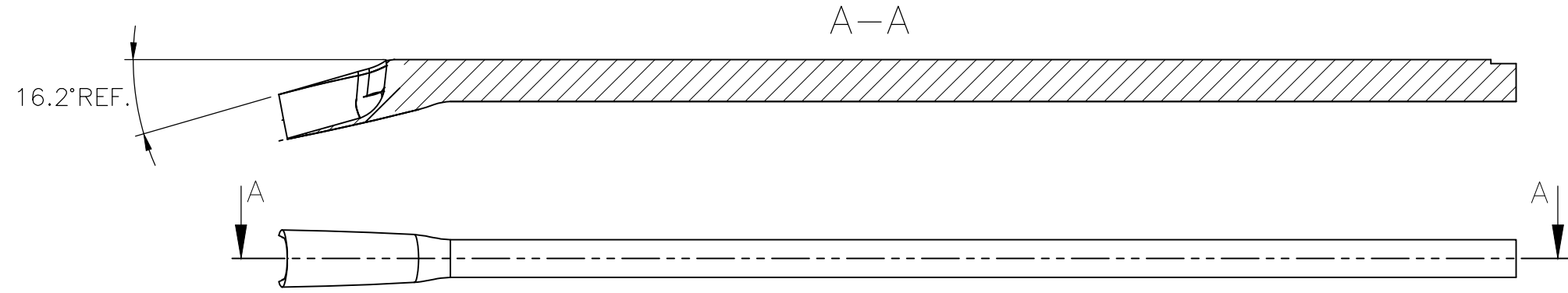



NOTE:

- △1 FOR PART NUMBERS SEE SHEET 3 OF 3.
- △2 MARK SHOULD BE CENTRALLY POSITIONED ±0.1mm.
- △3 WIDTH OF MARK DEPENDS ON CHARACTER PRINTED

| | | | | | | | | | | | | | | | | | |
|--|-----|------------------------------------|--|--------------|--------------------|---------------------------|--------------------|-------|-----|-------|-----|--------|-----|-------------------|---|--|--|
| THIS DRAWING IS A CONTROLLED DOCUMENT. | | DWN RAGHAVENDRA K 25MAR2013 | TE Connectivity | | | | | | | | | | | | | | |
| DIMENSIONS: mm | | CHK KEAN ALAN 25MAR2013 | | | | | | | | | | | | | | | |
| TOLERANCES UNLESS OTHERWISE SPECIFIED: | | APVD MARIO APPELLO 25MAR2013 | NAME SNAP-ON MARKER STB/STD SIZE 12 WITH APPLICATOR | | | | | | | | | | | | | | |
| <table border="0"> <tr> <td>0 PLC</td> <td>± -</td> </tr> <tr> <td>1 PLC</td> <td>± -</td> </tr> <tr> <td>2 PLC</td> <td>± -</td> </tr> <tr> <td>3 PLC</td> <td>± -</td> </tr> <tr> <td>4 PLC</td> <td>± -</td> </tr> <tr> <td>ANGLES</td> <td>± -</td> </tr> </table> | | 0 PLC | ± - | 1 PLC | ± - | 2 PLC | ± - | 3 PLC | ± - | 4 PLC | ± - | ANGLES | ± - | PRODUCT SPEC - | - | | |
| 0 PLC | ± - | | | | | | | | | | | | | | | | |
| 1 PLC | ± - | | | | | | | | | | | | | | | | |
| 2 PLC | ± - | | | | | | | | | | | | | | | | |
| 3 PLC | ± - | | | | | | | | | | | | | | | | |
| 4 PLC | ± - | | | | | | | | | | | | | | | | |
| ANGLES | ± - | | | | | | | | | | | | | | | | |
| MATERIAL - | | FINISH - | APPLICATION SPEC - | SIZE A3 | CAGE CODE C2290 | DRAWING NO C-1768045-1 | RESTRICTED TO - | | | | | | | | | | |
| CUSTOMER DRAWING | | | WEIGHT - | SCALE NTS | SHEET 1 OF 3 | REV 3 | | | | | | | | | | | |

| P | LTR | DESCRIPTION | DATE | DWN | APVD |
|---|-----|-------------|------|-----|------|
| - | - | SEE SHEET 1 | - | - | - |



| | | | | | | | | | | | | | | | | | |
|--|-----|------------------------------------|---|--------------|--------------------|---------------------------|--------------------|-------|-----|-------|-----|--------|-----|-------------------|---|--|--|
| THIS DRAWING IS A CONTROLLED DOCUMENT. | | DWN RAGHAVENDRA K 25MAR2013 |  TE Connectivity | | | | | | | | | | | | | | |
| DIMENSIONS: mm | | CHK KEAN ALAN 25MAR2013 | | | | | | | | | | | | | | | |
| TOLERANCES UNLESS OTHERWISE SPECIFIED: | | APVD MARIO APPELLO 25MAR2013 | NAME SNAP-ON MARKER STB/STD SIZE 12 WITH APPLICATOR | | | | | | | | | | | | | | |
| <table border="1"> <tr><td>0 PLC</td><td>± -</td></tr> <tr><td>1 PLC</td><td>± -</td></tr> <tr><td>2 PLC</td><td>± -</td></tr> <tr><td>3 PLC</td><td>± -</td></tr> <tr><td>4 PLC</td><td>± -</td></tr> <tr><td>ANGLES</td><td>± -</td></tr> </table> | | 0 PLC | ± - | 1 PLC | ± - | 2 PLC | ± - | 3 PLC | ± - | 4 PLC | ± - | ANGLES | ± - | PRODUCT SPEC - | - | | |
| 0 PLC | ± - | | | | | | | | | | | | | | | | |
| 1 PLC | ± - | | | | | | | | | | | | | | | | |
| 2 PLC | ± - | | | | | | | | | | | | | | | | |
| 3 PLC | ± - | | | | | | | | | | | | | | | | |
| 4 PLC | ± - | | | | | | | | | | | | | | | | |
| ANGLES | ± - | | | | | | | | | | | | | | | | |
| MATERIAL - | | FINISH - | APPLICATION SPEC - | SIZE A3 | CAGE CODE C2290 | DRAWING NO C-1768045-1 | RESTRICTED TO - | | | | | | | | | | |
| CUSTOMER DRAWING | | | WEIGHT - | SCALE NTS | SHEET 2 OF 3 | REV 3 | | | | | | | | | | | |

REVISIONS

| P | LTR | DESCRIPTION | DATE | DWN | APVD |
|---|-----|-------------|------|-----|------|
| - | - | SEE SHEET 1 | - | - | - |

| DESCRIPTION | PART NO. |
|------------------------|------------------------|
| STB12-0-0 | 4-1768039-4 |
| STB12-1-1 | 4-1768039-5 |
| STB12-2-2 | 4-1768039-6 |
| STB12-3-3 | 4-1768039-7 |
| STB12-5-5 | 4-1768039-8 |
| STB12-6-6 | 4-1768039-9 |
| STB12-7-7 | 5-1768039-0 |
| STB12-8-8 | 5-1768039-1 |
| STB12-BLANK-0 | 5-1768039-2 |
| STB12-BLANK-1 | 5-1768039-3 |
| STB12-BLANK-2 | 5-1768039-4 |
| STB12-BLANK-3 | 5-1768039-5 |
| STB12-BLANK-5 | 5-1768039-6 |
| STB12-BLANK-6 | 5-1768039-7 |
| STB12-BLANK-7 | 5-1768039-8 |
| STB12-BLANK-8 | 5-1768039-9 |
| STD12W/1-12 | 7-1768403-0 |
| STD12W-0 | 027608-000 |
| STD12W-1 | 028690-000 |
| STD12W-2 | 127922-000 |
| STD12W-3 | 869998-000 |
| STD12W-4 | 422284-000 |
| STD12W-5 | 329976-000 |
| STD12W-6 | 654200-000 |
| STD12W-7 | 727782-000 |
| STD12W-8 | 157886-000 |
| STD12W-9 | 612832-000 |
| STD12W-A | 392758-000 |
| STD12W-AC | 8-1768044-0 |
| STD12W-B | 190370-000 |
| STD12W-BLANK | 8-1768044-2 |
| STD12W-C | 379242-000 |
| STD12W-COLON | 227492-000 |
| STD12W-D | 466552-000 |
| STD12W-D-LC | 8-1768044-4 |
| STD12W-DOT | 8-1768044-5 |
| STD12W-E | 952178-000 |

| DESCRIPTION | PART NO. |
|--------------|-------------|
| STD12W-EARTH | 8-1768044-6 |
| STD12W-F | 242654-000 |
| STD12W-G | 371912-000 |
| STD12W-H | 544882-000 |
| STD12W-I | 743644-000 |
| STD12W-J | 925236-000 |
| STD12W-K | 402858-000 |
| STD12W-L | 372210-000 |
| STD12W-M | 797170-000 |
| STD12W-MINUS | 9-1768044-3 |
| STD12W-N | 224378-000 |
| STD12W-P | 200490-000 |
| STD12W-PLUS | 9-1768044-6 |
| STD12W-Q | 881472-000 |
| STD12W-R | 610526-000 |
| STD12W-S | 958362-000 |
| STD12W-SLASH | 102828-000 |
| STD12W-T | 080248-000 |
| STD12W-U | 606344-000 |
| STD12W-V | 244058-000 |
| STD12W-W | 922324-000 |
| STD12W-X | 151660-000 |
| STD12W-Y | 976192-000 |
| STD12W-Z | 928688-000 |
| STD12Y-0 | 9-1768044-8 |
| STD12Y-1 | 9-1768044-9 |
| STD12Y-2 | 1768045-1 |
| STD12Y-3 | 1768045-2 |
| STD12Y-4 | 1768045-3 |
| STD12Y-5 | 1768045-4 |
| STD12Y-6 | 1768045-5 |
| STD12Y-7 | 1768045-6 |
| STD12Y-8 | 1768045-7 |
| STD12Y-9 | 1768045-8 |
| STD12Y-A | 1768045-9 |
| STD12Y-AC | 1-1768045-0 |
| STD12W/1-48 | 8-1768710-0 |

| DESCRIPTION | PART NO. |
|------------------------|------------------------|
| STD12Y-B | 1-1768045-2 |
| STD12Y-BLANK | 1-1768045-3 |
| STD12Y-C | 1-1768045-5 |
| STD12Y-COLON | 1-1768045-6 |
| STD12Y-D | 1-1768045-7 |
| STD12Y-DOT | 1-1768045-9 |
| STD12Y-E | 2-1768045-0 |
| STD12Y-EARTH | 2-1768045-1 |
| STD12Y-F | 2-1768045-3 |
| STD12Y-G | 2-1768045-5 |
| STD12Y-G-LC | 2-1768045-6 |
| STD12Y-H | 2-1768045-7 |
| STD12Y-I | 2-1768045-9 |
| STD12Y-J | 3-1768045-0 |
| STD12Y-K | 3-1768045-1 |
| STD12Y-L | 3-1768045-3 |
| STD12Y-M | 3-1768045-5 |
| STD12Y-MINUS | 3-1768045-6 |
| STD12Y-N | 3-1768045-8 |
| STD12Y-P | 4-1768045-0 |
| STD12Y-PLUS | 4-1768045-1 |
| STD12Y-Q | 4-1768045-2 |
| STD12Y-R | 4-1768045-3 |
| STD12Y-S | 4-1768045-5 |
| STD12Y-SLASH | 4-1768045-6 |
| STD12Y-T | 4-1768045-7 |
| STD12Y-U | 4-1768045-8 |
| STD12Y-V | 4-1768045-9 |
| STD12Y-W | 5-1768045-0 |
| STD12Y-X | 5-1768045-1 |
| STD12Y-Y | 5-1768045-2 |
| STD12Y-Z | 5-1768045-3 |



OBSOLETE PART



| | | | | |
|--|--|---------------------------------|--|---------------|
| THIS DRAWING IS A CONTROLLED DOCUMENT. | | DWN 25MAR2013 RAGHAVENDRA K | TE Connectivity | |
| | | CHK 25MAR2013 KEAN ALAN | | |
| | | APVD 25MAR2013 MARIO APPELLO | NAME SNAP-ON MARKER STB/STD SIZE 12 WITH APPLICATOR | |
| DIMENSIONS: mm | | PRODUCT SPEC | - | |
| TOLERANCES UNLESS OTHERWISE SPECIFIED: | | APPLICATION SPEC | - | |
| 0 PLC ± - | | SIZE | CAGE CODE | DRAWING NO |
| 1 PLC ± - | | WEIGHT | A3 | C2290 |
| 2 PLC ± - | | CUSTOMER DRAWING | | RESTRICTED TO |
| 3 PLC ± - | | SCALE | | SHEET |
| 4 PLC ± - | | NTS | | 3 OF 3 |
| ANGLES ± - | | REV | | 3 |
| FINISH | | G=1768045-1 | | |

X-ON Electronics

Largest Supplier of Electrical and Electronic Components

Click to view similar products for [Wire Labels & Markers](#) category:

Click to view products by [TE Connectivity](#) manufacturer:

Other Similar products are found below :

[89078GBEST](#) [89082GBESR](#) [89082GBEST](#) [PCL025-4](#) [5761-2SF](#) [58400](#) [586R734H02](#) [M1.040.0000.6](#) [CRS-CM5M](#) [CRS-M18M](#) [CS1836-000](#) [CS8626-000](#) [CU6337-000](#) [CU6342-000](#) [CU6343-000](#) [CWD01-0](#) [CWD012-0](#) [CWD012-7](#) [CWD015-3](#) [CWD015-7](#) [CWD02-0](#) [CWD02-3](#) [CWD02-4](#) [CWD02-6](#) [CWD02-8](#) [CWD02-A](#) [CWD02-D](#) [CWD02-H](#) [CWD02-K](#) [CWD02-L](#) [CWD02-M](#) [CWD02-P](#) [CWD02-Q](#) [CWD02-R](#) [CWD02-U](#) [CWD02-W](#) [CWD02-Y](#) [CWD03-+](#) [CWD03-0](#) [CWD03-P](#) [CWD06-0](#) [CWD06-8](#) [CWD06-9](#) [CWD06-L](#) [CWD06-N](#) [CWD09-0](#) [CWD09-5](#) [CWD09-7](#) [6806810001](#) [CZ2857-000](#)