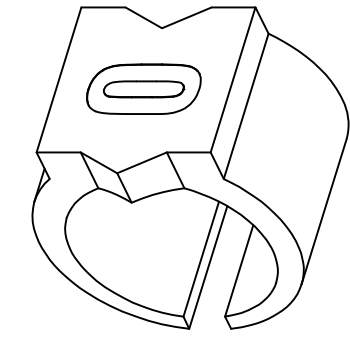
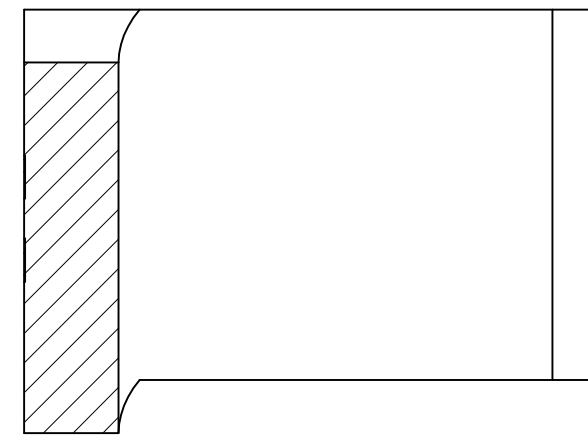
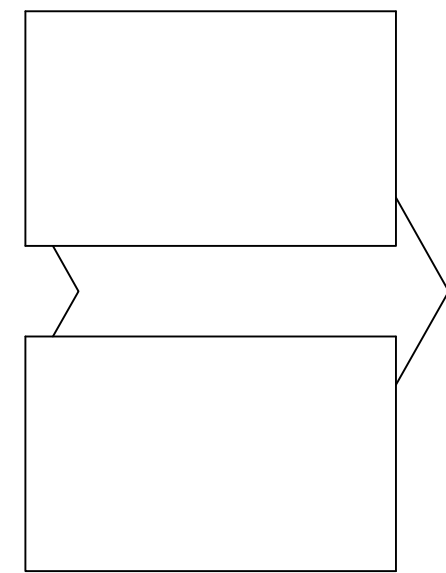
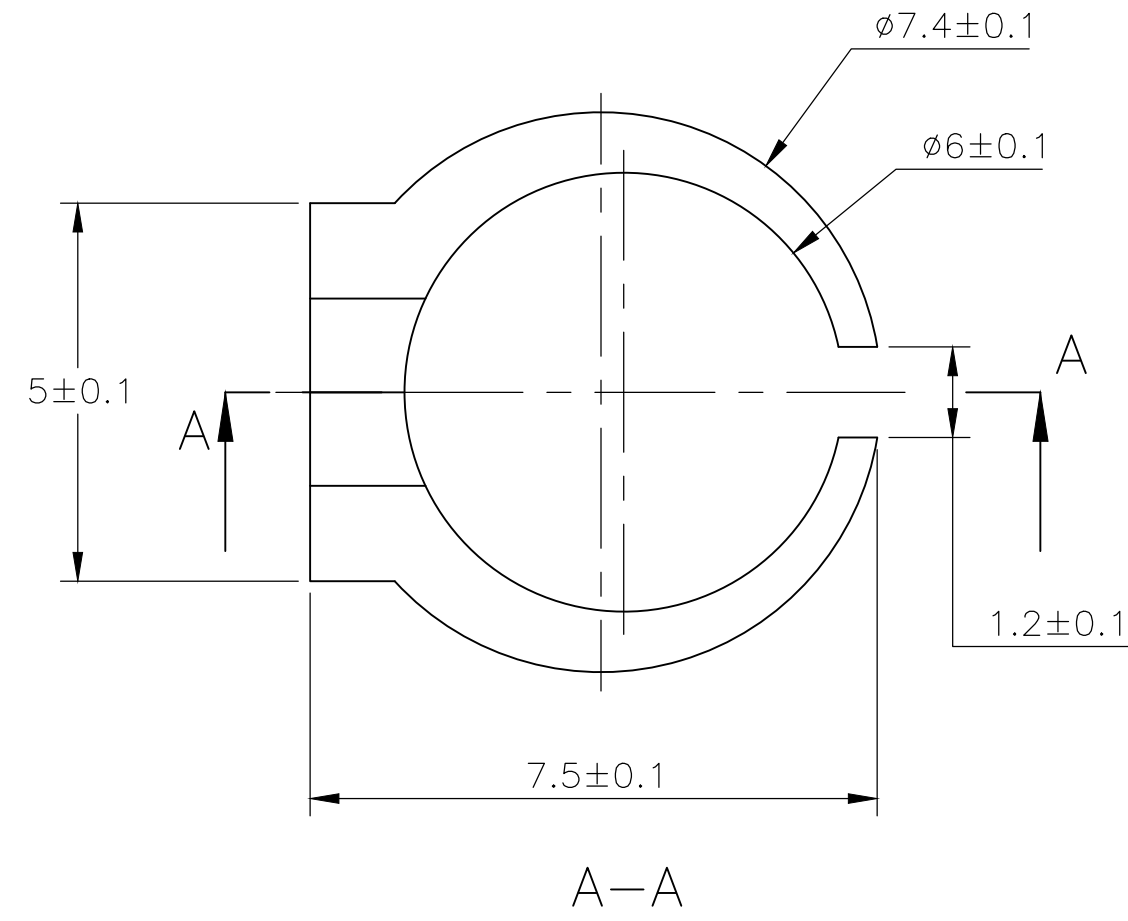
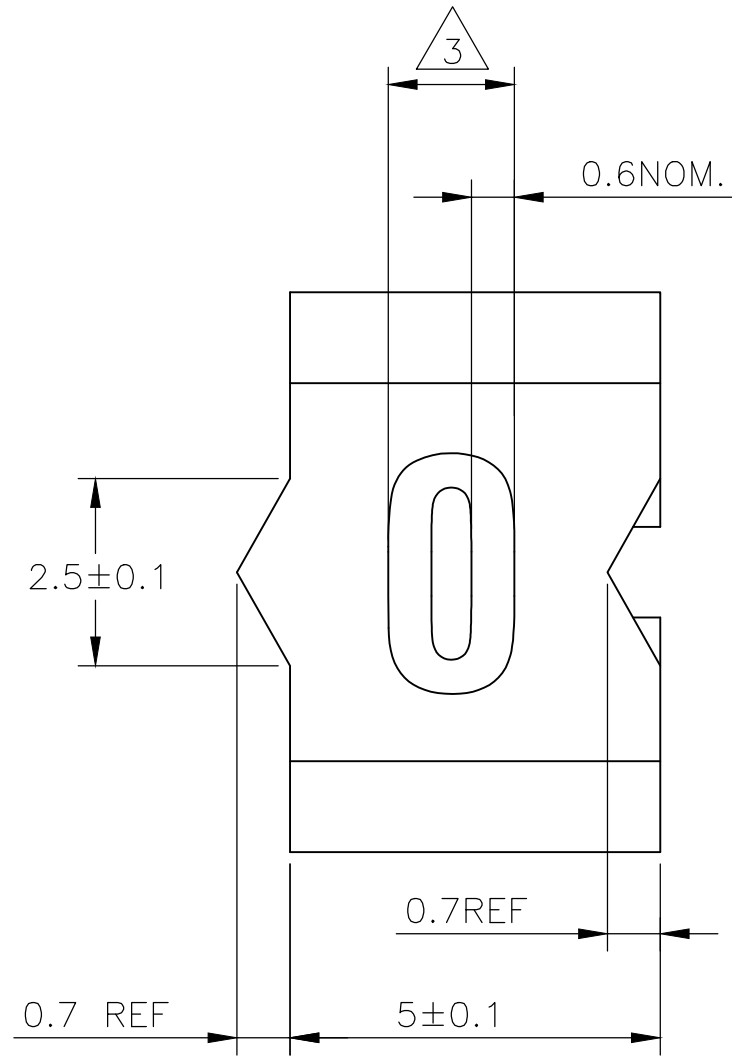


| P | LTR | DESCRIPTION | DATE | DWN | APVD |
|---|-----|---------------------------|-----------|-----|------|
| | 4 | REVISED PER ECR-20-010947 | 04AUG2020 | GK | AK |

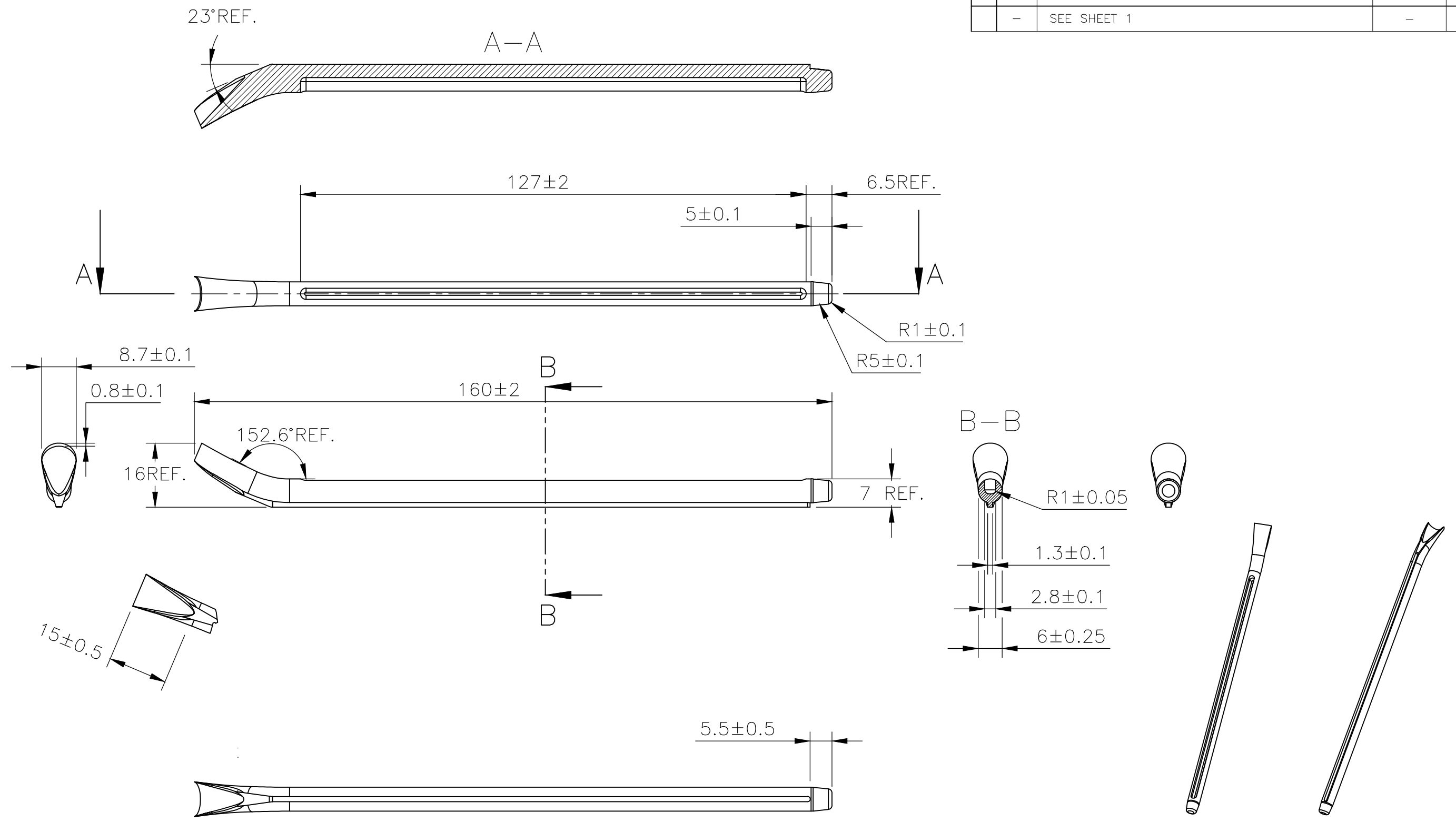


NOTES:

- 1 FOR PART NUMBER SEE SHEET 3 OF 3.
- 2 MARK SHOULD BE CENTRALLY POSITIONED ±0.1mm.
- 3 WIDTH OF MARK DEPENDS ON CHARACTER PRINTED

| | | | | | |
|--|--|--|--|------------------|---------------|
| THIS DRAWING IS A CONTROLLED DOCUMENT. | | DWN RAGHAVENDRA K 22MAR2013 | TE Connectivity | | |
| | | CHK KEAN ALAN 22MAR2013 | | | |
| | | APVD MARIO APPELLO 22MAR2013 | NAME SNAP-ON MARKER STB/STD SIZE 15 WITH APPLICATOR | | |
| DIMENSIONS: mm | | TOLERANCES UNLESS OTHERWISE SPECIFIED: | | PRODUCT SPEC | |
| | | 0 PLC | ± - | APPLICATION SPEC | |
| | | 1 PLC | ± - | - | |
| | | 2 PLC | ± - | - | |
| | | 3 PLC | ± - | - | |
| MATERIAL | | 4 PLC | ± - | SIZE | |
| | | ANGLES | ± - | CAGE CODE | DRAWING NO |
| | | FINISH | - | WEIGHT | RESTRICTED TO |
| | | | | A3 | C2290 |
| | | | | G-7-1768045-4 | |
| | | | | CUSTOMER DRAWING | |
| | | | | SCALE | SHEET |
| | | | | NTS | 1 OF 3 |
| | | | | REV | 4 |

| REVISIONS | | | | | |
|-----------|-----|-------------|------|-----|------|
| P | LTR | DESCRIPTION | DATE | DWN | APVD |
| - | - | SEE SHEET 1 | - | - | - |



| | | | | | |
|--|--|------------------------------------|--|---------------|---------------|
| THIS DRAWING IS A CONTROLLED DOCUMENT. | | DWN RAGHAVENDRA K 22MAR2013 | STE TE Connectivity | | |
| DIMENSIONS: mm | | CHK KEAN ALAN 22MAR2013 | | | |
| TOLERANCES UNLESS OTHERWISE SPECIFIED: | | APVD MARIO APPELLO 22MAR2013 | NAME SNAP-ON MARKER STB/STD SIZE 15 WITH APPLICATOR | | |
| 0 PLC ± - | | PRODUCT SPEC | - | | |
| 1 PLC ± - | | APPLICATION SPEC | - | | |
| 2 PLC ± - | | WEIGHT | - | | |
| 3 PLC ± - | | SIZE | CAGE CODE | DRAWING NO | RESTRICTED TO |
| 4 PLC ± - | | A3 | C2290 | C-7-1768045-4 | - |
| ANGLES ± - | | CUSTOMER DRAWING | | | |
| FINISH | | SCALE | | SHEET | REV |
| - | | NTS | | 2 OF 3 | 4 |

REVISIONS

| P | LTR | DESCRIPTION | DATE | DWN | APVD |
|---|-----|-------------|------|-----|------|
| | - | SEE SHEET 1 | - | - | - |

| DESCRIPTION | PART NO. |
|---------------|-------------|
| STB15-0-0 | 6-1768039-0 |
| STB15-1-1 | 6-1768039-1 |
| STB15-1-2 | 2-1768413-1 |
| STB15-1-3 | 9-1768412-3 |
| STB15-1-5 | 6-1768039-2 |
| STB15-2-2 | 6-1768039-4 |
| STB15-2-5 | 6-1768039-5 |
| STB15-3-2 | 2-1768413-2 |
| STB15-3-3 | 6-1768039-7 |
| STB15-4-2 | 2-1768413-3 |
| STB15-5-2 | 2-1768413-4 |
| STB15-5-5 | 7-1768039-0 |
| STB15-6-6 | 7-1768039-2 |
| STB15-7-7 | 7-1768039-3 |
| STB15-8-8 | 7-1768039-6 |
| STB15-A-3 | 7-1768039-7 |
| STB15-A-5 | 7-1768039-8 |
| STB15-BLANK-0 | 8-1768039-0 |
| STB15-BLANK-1 | 8-1768039-1 |
| STB15-BLANK-2 | 8-1768039-2 |
| STB15-BLANK-3 | 8-1768039-3 |
| STB15-BLANK-5 | 8-1768039-4 |
| STB15-BLANK-6 | 8-1768039-5 |
| STB15-BLANK-7 | 8-1768039-6 |
| STB15-BLANK-8 | 8-1768039-7 |
| STB15-F-6 | 8-1768039-9 |
| STB15-H-2 | 9-1768039-0 |
| STB15-H-5 | 7-1768418-2 |
| STB15-L-5 | 9-1768039-2 |
| STB15-R-0 | 9-1768039-6 |
| STB15-R-5 | 9-1768039-8 |
| STB15-S-5 | 7-1768418-3 |
| STB15-0-2 | 2-1768413-0 |
| STB15-6-2 | 2-1768413-5 |
| STB15-7-2 | 2-1768413-6 |
| STB15-9-2 | 2-1768413-8 |
| STB15-B-5 | 7-1768039-9 |
| STD15W-AC | 5-1768045-6 |

| DESCRIPTION | PART NO. |
|------------------------|------------------------|
| STB15-T-6 | 1768040-1 |
| STB15-V-6 | 1768040-3 |
| STD15-APPLICATOR | 5-1768045-4 |
| STD15W-0 | 5-1768045-5 |
| STD15W-1 | 916500-000 |
| STD15W-2 | 631526-000 |
| STD15W-3 | 883382-000 |
| STD15W-4 | 924992-000 |
| STD15W-5 | 381396-000 |
| STD15W-6 | 545292-000 |
| STD15W-7 | 360170-000 |
| STD15W-8 | 075056-000 |
| STD15W-9 | 054712-000 |
| STD15W-A | 755008-000 |
| STD15W-A-LC | 5-1768045-7 |
| STD15W-B | 802902-000 |
| STD15W-BLANK | 5-1768045-8 |
| STD15W-C | 838714-000 |
| STD15W-D | 629606-000 |
| STD15W-D-LC | 6-1768045-0 |
| STD15W-DOT | 6-1768045-1 |
| STD15W-E | 133110-000 |
| STD15W-EARTH | 6-1768045-2 |
| STD15W-F | 537002-000 |
| STD15W-G | 685362-000 |
| STD15W-H | 863976-000 |
| STD15W-H-LC | 6-1768045-2 |
| STD15W-I | 913588-000 |
| STD15W-J | 344640-000 |
| STD15W-K | 501372-000 |
| STD15W-L | 002648-000 |
| STD15W-COLON | 126530-000 |

| DESCRIPTION | PART NO. |
|--------------|-------------|
| STD15W-M | 347828-000 |
| STD15W-MINUS | 6-1768045-9 |
| STD15W-N | 612672-000 |
| STD15W-P | 388482-000 |
| STD15W-PLUS | 7-1768045-2 |
| STD15W-Q | 621494-000 |
| STD15W-R | 325234-000 |
| STD15W-S | 544426-000 |
| STD15W-SLASH | 857128-000 |
| STD15W-T | 845482-000 |
| STD15W-U | 126270-000 |
| STD15W-V | 907764-000 |
| STD15W-W | 071812-000 |
| STD15W-X | 362816-000 |
| STD15W-Y | 578440-000 |
| STD15W-Z | 063698-000 |
| STD15Y-0 | 7-1768045-4 |
| STD15Y-1 | 7-1768045-5 |
| STD15Y-2 | 7-1768045-6 |
| STD15Y-3 | 7-1768045-7 |
| STD15Y-4 | 7-1768045-8 |
| STD15Y-5 | 7-1768045-9 |
| STD15Y-6 | 8-1768045-0 |
| STD15Y-7 | 8-1768045-1 |
| STD15Y-8 | 8-1768045-2 |
| STD15Y-9 | 8-1768045-3 |
| STD15Y-A | 8-1768045-4 |
| STD15Y-B | 8-1768045-7 |
| STD15Y-BLANK | 8-1768045-8 |
| STD15Y-C | 9-1768045-0 |

| DESCRIPTION | PART NO. |
|--------------|-------------|
| STD15Y-COLON | 9-1768045-1 |
| STD15Y-D | 9-1768045-2 |
| STD15Y-DOT | 9-1768045-4 |
| STD15Y-E | 9-1768045-5 |
| STD15Y-EARTH | 9-1768045-6 |
| STD15Y-F | 9-1768045-8 |
| STD15Y-G | 1768046-1 |
| STD15Y-H | 1768046-3 |
| STD15Y-I | 1768046-5 |
| STD15Y-J | 1768046-6 |
| STD15Y-K | 1768046-7 |
| STD15Y-L | 1768046-9 |
| STD15Y-M | 1-1768046-1 |
| STD15Y-MINUS | 1-1768046-2 |
| STD15Y-N | 1-1768046-4 |
| STD15Y-P | 1-1768046-6 |
| STD15Y-PLUS | 1-1768046-7 |
| STD15Y-Q | 1-1768046-8 |
| STD15Y-R | 1-1768046-9 |
| STD15Y-S | 2-1768046-1 |
| STD15Y-SLASH | 2-1768046-2 |
| STD15Y-T | 2-1768046-3 |
| STD15Y-U | 2-1768046-4 |
| STD15Y-V | 2-1768046-5 |
| STD15Y-W | 2-1768046-6 |
| STD15Y-X | 2-1768046-7 |
| STD15Y-Y | 2-1768046-8 |
| STD15Y-Z | 2-1768046-9 |
| STD15Y-AC | 8-1768045-5 |

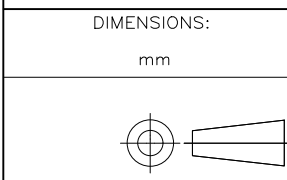
4

4

4

4 OBSOLETE PART

THIS DRAWING IS A CONTROLLED DOCUMENT.



| DIMENSIONS: | TOLERANCES UNLESS OTHERWISE SPECIFIED: |
|-------------|--|
| mm | |
| 0 PLC | ± - |
| 1 PLC | ± - |
| 2 PLC | ± - |
| 3 PLC | ± - |
| 4 PLC | ± - |
| ANGLES | ± - |
| FINISH | - |

| | |
|------------------|-----------|
| DWN | 22MAR2013 |
| RAGHAVENDRA K | |
| CHK | 22MAR2013 |
| KEAN ALAN | |
| APVD | 22MAR2013 |
| MARIO APPELLO | |
| PRODUCT SPEC | - |
| APPLICATION SPEC | - |
| WEIGHT | - |
| CUSTOMER DRAWING | |

| | | | |
|--|-----------|---------------|---------------|
| STE TE Connectivity | | | |
| NAME | | | |
| SNAP-ON MARKER STB/STD SIZE 15 WITH APPLICATOR | | | |
| SIZE | CAGE CODE | DRAWING NO | RESTRICTED TO |
| A3 | C2290 | G-7-1768045-4 | - |
| SCALE | | SHEET | REV |
| NTS | | 3 OF 3 | 4 |

X-ON Electronics

Largest Supplier of Electrical and Electronic Components

Click to view similar products for [Wire Labels & Markers](#) category:

Click to view products by [TE Connectivity](#) manufacturer:

Other Similar products are found below :

[89078GBEST](#) [89082GBESR](#) [89082GBEST](#) [PCL025-4](#) [5761-2SF](#) [58400](#) [M1.040.0000.6](#) [CRS-CM5M](#) [CRS-M18M](#) [CS1836-000](#) [CS8626-000](#) [CU6337-000](#) [CU6342-000](#) [CU6343-000](#) [CWD01-0](#) [CWD012-0](#) [CWD012-7](#) [CWD015-3](#) [CWD015-7](#) [CWD02-0](#) [CWD02-3](#) [CWD02-4](#) [CWD02-6](#) [CWD02-8](#) [CWD02-A](#) [CWD02-D](#) [CWD02-H](#) [CWD02-K](#) [CWD02-L](#) [CWD02-M](#) [CWD02-P](#) [CWD02-Q](#) [CWD02-R](#) [CWD02-U](#) [CWD02-W](#) [CWD02-Y](#) [CWD03-+](#) [CWD03-0](#) [CWD03-P](#) [CWD06-0](#) [CWD06-8](#) [CWD06-9](#) [CWD06-L](#) [CWD06-N](#) [CWD09-0](#) [CWD09-5](#) [CWD09-7](#) [6806810001](#) [CZ2857-000](#) [6V1J0](#)