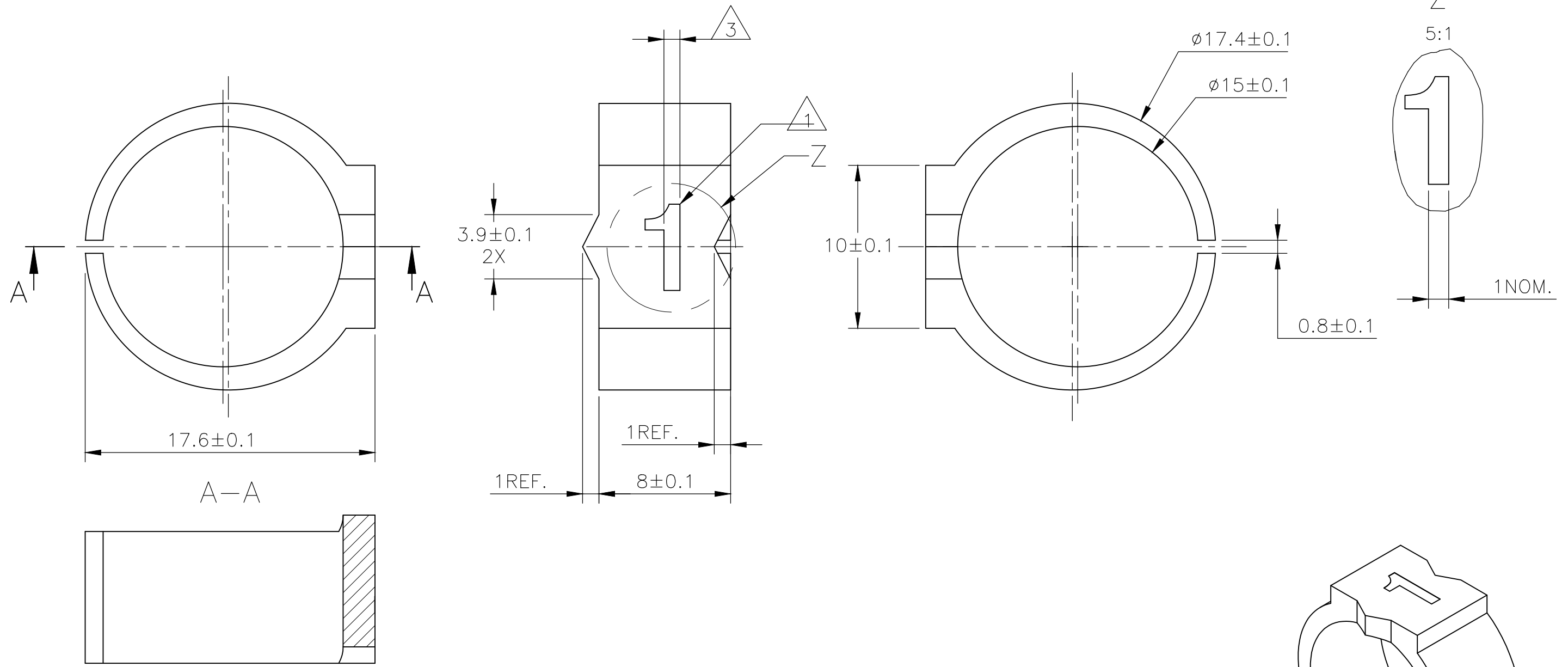


| P | LTR | DESCRIPTION               | DATE      | DWN | APVD |
|---|-----|---------------------------|-----------|-----|------|
|   | 3   | REVISED PER ECR-20-010947 | 04AUG2020 | GK  | AK   |

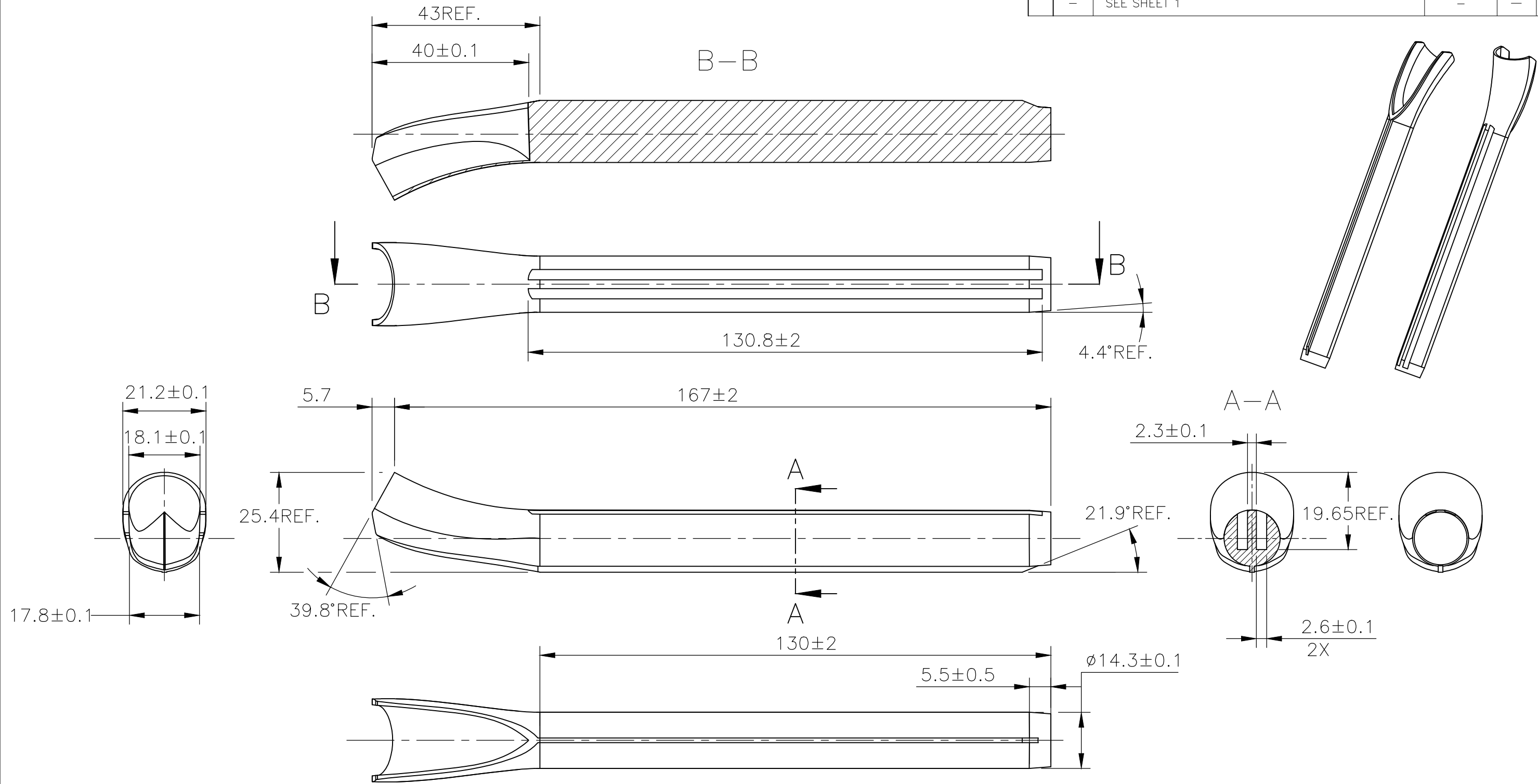



NOTES:

- 1 FOR PART NUMBERS SEE SHEET 3 OF 3.
- 2 MARK SHOULD BE CENTRALLY POSITIONED ±0.1mm.
- 3 WIDTH OF MARK DEPENDS ON CHARACTER PRINTED

|  |  |  |  |                  |               |
|--|--|--|--|------------------|---------------|
| THIS DRAWING IS A CONTROLLED DOCUMENT. |  | DWN<br>RAGHAVENDRA K<br>25MAR2013      | TE Connectivity  |                  |               |
|  |  | CHK<br>KEAN ALAN<br>25MAR2013          |  |                  |               |
|  |  | APVD<br>MARIO APPELLO<br>25MAR2013     | NAME<br>SNAP-ON MARKER STB/STD SIZE 24 WITH APPLICATOR |                  |               |
| DIMENSIONS:<br>mm                      |  | TOLERANCES UNLESS OTHERWISE SPECIFIED: |  | PRODUCT SPEC     |               |
|  |  | 0 PLC                                  | ± -  | APPLICATION SPEC |               |
|  |  | 1 PLC                                  | ± -  | -                |               |
| MATERIAL                               |  | 2 PLC                                  | ± -  | SIZE             | CAGE CODE     |
|  |  | 3 PLC                                  | ± -  | DRAWING NO       | RESTRICTED TO |
|  |  | 4 PLC                                  | ± -  | A3               | C2290         |
|  |  | ANGLES                                 | ± -  | G-8-1768047-0    |               |
|  |  | FINISH                                 | -  | CUSTOMER DRAWING |               |
|  |  |  |  | SCALE            | SHEET         |
|  |  |  |  | NTS              | 1 OF 3        |
|  |  |  |  | REV              | 3             |

| P | LTR | DESCRIPTION | DATE | DWN | APVD |
|---|-----|-------------|------|-----|------|
| - | -   | SEE SHEET 1 | -    | -   | -    |



|   |  |                                    |   |           |               |               |
|---|--|------------------------------------|---|-----------|---------------|---------------|
| THIS DRAWING IS A CONTROLLED DOCUMENT.                                      |  | DWN<br>RAGHAVENDRA K<br>25MAR2013  |  TE Connectivity |           |               |               |
| DIMENSIONS:<br>mm   |  | CHK<br>KEAN ALAN<br>25MAR2013      |   |           |               |               |
| TOLERANCES UNLESS OTHERWISE SPECIFIED:                                      |  | APVD<br>MARIO APPELLO<br>25MAR2013 | NAME<br>SNAP-ON MARKER STB/STD SIZE 24 WITH APPLICATOR  |           |               |               |
| 0 PLC ± -<br>1 PLC ± -<br>2 PLC ± -<br>3 PLC ± -<br>4 PLC ± -<br>ANGLES ± - |  | PRODUCT SPEC                       | -   |           |               |               |
| MATERIAL  |  | APPLICATION SPEC                   | -   |           |               |               |
| FINISH  |  | WEIGHT                             | SIZE  | CAGE CODE | DRAWING NO    | RESTRICTED TO |
| -   |  | -                                  | A3  | C2290     | C-8-1768047-0 | -             |
| CUSTOMER DRAWING  |  |                                    | SCALE   | SHEET     | REV           |               |
|   |  |                                    | NTS   | 2 OF 3    | 3             |               |

REVISIONS

| P | LTR | DESCRIPTION | DATE | DWN | APVD |
|---|-----|-------------|------|-----|------|
|   | -   | SEE SHEET 1 | -    | -   | -    |

| DESCRIPTION      | PART NO.    |
|------------------|-------------|
| STB24-BLANK-2    | 6-1768040-8 |
| STB24-BLANK-5    | 7-1768040-0 |
| STB24-BLANK-6    | 7-1768040-1 |
| STD24-APPLICATOR | 8-1768047-0 |
| STD24W-0         | 8-1768047-1 |
| STD24W-1         | 866522-000  |
| STD24W-2         | 640576-000  |
| STD24W-3         | 417638-000  |
| STD24W-4         | 542894-000  |
| STD24W-5         | 978190-000  |
| STD24W-6         | 905034-000  |
| STD24W-7         | 273650-000  |
| STD24W-8         | 187136-000  |
| STD24W-9         | 394338-000  |
| STD24W-A         | 197264-000  |
| STD24W-B         | 314578-000  |
| STD24W-BLANK     | 8-1768047-4 |
| STD24W-C         | 946230-000  |
| STD24W-D         | 339676-000  |
| STD24W-DOT       | 8-1768047-8 |
| STD24W-E         | 398232-000  |
| STD24W-EARTH     | 8-1768047-9 |
| STD24W-F         | 549392-000  |
| STD24W-G         | 928554-000  |
| STD24W-H         | 917568-000  |
| STD24W-I         | 901502-000  |
| STD24W-J         | 687814-000  |
| STD24W-K         | 732956-000  |
| STD24W-L         | 759108-000  |
| STD24W-M         | 301210-000  |
| STD24W-MINUS     | 9-1768047-6 |
| STD24W-N         | 817492-000  |

| DESCRIPTION  | PART NO.    |
|--------------|-------------|
| STD24W-P     | 968824-000  |
| STD24W-PLUS  | 9-1768047-9 |
| STD24W-Q     | 399170-000  |
| STD24W-R     | 464414-000  |
| STD24W-S     | 040998-000  |
| STD24W-SLASH | 716408-000  |
| STD24W-T     | 264594-000  |
| STD24W-U     | 154936-000  |
| STD24W-V     | 271808-000  |
| STD24W-W     | 116634-000  |
| STD24W-X     | 233500-000  |
| STD24W-Y     | 138132-000  |
| STD24W-Z     | 840894-000  |
| STD24Y-0     | 1768048-2   |
| STD24Y-1     | 340014-000  |
| STD24Y-2     | 805844-000  |
| STD24Y-3     | 123558-000  |
| STD24Y-4     | 081620-000  |
| STD24Y-5     | 201302-000  |
| STD24Y-6     | 532738-000  |
| STD24Y-7     | 579826-000  |
| STD24Y-8     | 918298-000  |
| STD24Y-9     | 537750-000  |
| STD24Y-A     | 031882-000  |
| STD24Y-B     | 336486-000  |
| STD24Y-BLANK | 1768048-5   |
| STD24Y-C     | 104986-000  |
| STD24Y-D     | 802932-000  |
| STD24Y-E     | 1-1768048-0 |
| STD24Y-EARTH | 1-1768048-1 |
| STD24Y-F     | 1-1768048-3 |

| DESCRIPTION   | PART NO.    |
|---------------|-------------|
| STD24Y-G      | 1-1768048-5 |
| STD24Y-H      | 1-1768048-7 |
| STD24Y-I      | 1-1768048-9 |
| STD24Y-J      | 2-1768048-0 |
| STD24Y-K      | 2-1768048-1 |
| STD24Y-L      | 320608-000  |
| STD24Y-M      | 2-1768048-4 |
| STD24Y-MINUS  | 2-1768048-5 |
| STD24Y-N      | 2-1768048-7 |
| STD24Y-P      | 2-1768048-9 |
| STD24Y-PLUS   | 3-1768048-0 |
| STD24Y-Q      | 3-1768048-1 |
| STD24Y-R      | 833408-000  |
| STD24Y-S      | 3-1768048-3 |
| STD24Y-SLASH  | 3-1768048-4 |
| STD24Y-T      | 3-1768048-5 |
| STD24Y-U      | 3-1768048-6 |
| STD24Y-V      | 3-1768048-7 |
| STD24Y-W      | 3-1768048-8 |
| STD24Y-X      | 3-1768048-9 |
| STD24Y-Y      | 4-1768048-0 |
| STD24Y-Z      | 4-1768048-1 |
| STB24-BLANK-0 | 6-1768040-6 |
| STB24-BLANK-1 | 6-1768040-7 |
| STB24-BLANK-3 | 6-1768040-9 |
| STB24-BLANK-7 | 7-1768040-2 |
| STB24-BLANK-8 | 7-1768040-3 |
| STD24W-AC     | 8-1768047-2 |

| DESCRIPTION  | PART NO.  |
|--------------|-----------|
| STD24Y-AC    | 1768048-3 |
| STD24Y-COLON | 1768048-7 |
| STD24Y-DOT   | 1768048-9 |

THIS DRAWING IS A CONTROLLED DOCUMENT.

DWN 25MAR2013 RAGHAVENDRA K

CHK 25MAR2013 KEAN ALAN

APVD 25MAR2013 MARIO APPELLO

PRODUCT SPEC

APPLICATION SPEC

WEIGHT -

CUSTOMER DRAWING



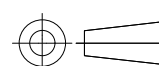
NAME SNAP-ON MARKER STB/STD SIZE 24 WITH APPLICATOR

SIZE CAGE CODE DRAWING NO RESTRICTED TO

A3 C2290 C-8-1768047-0

SCALE NTS SHEET 3 OF 3 REV 3

DIMENSIONS: mm



TOLERANCES UNLESS OTHERWISE SPECIFIED:

- 0 PLC ± -
- 1 PLC ± -
- 2 PLC ± -
- 3 PLC ± -
- 4 PLC ± -
- ANGLES ± -
- FINISH -

## X-ON Electronics

Largest Supplier of Electrical and Electronic Components

*Click to view similar products for [Wire Labels & Markers](#) category:*

*Click to view products by [TE Connectivity](#) manufacturer:*

Other Similar products are found below :

[89078GBEST](#) [89082GBESR](#) [89082GBEST](#) [PCL025-4](#) [5761-2SF](#) [58400](#) [586R734H02](#) [M1.040.0000.6](#) [CRS-CM5M](#) [CRS-M18M](#) [CS1836-000](#) [CS8626-000](#) [CU6337-000](#) [CU6342-000](#) [CU6343-000](#) [CWD01-0](#) [CWD012-0](#) [CWD012-7](#) [CWD015-3](#) [CWD015-7](#) [CWD02-0](#) [CWD02-3](#) [CWD02-4](#) [CWD02-6](#) [CWD02-8](#) [CWD02-A](#) [CWD02-D](#) [CWD02-H](#) [CWD02-K](#) [CWD02-L](#) [CWD02-M](#) [CWD02-P](#) [CWD02-Q](#) [CWD02-R](#) [CWD02-U](#) [CWD02-W](#) [CWD02-Y](#) [CWD03-+](#) [CWD03-0](#) [CWD03-P](#) [CWD06-0](#) [CWD06-8](#) [CWD06-9](#) [CWD06-L](#) [CWD06-N](#) [CWD09-0](#) [CWD09-5](#) [CWD09-7](#) [6806810001](#) [CZ2857-000](#)