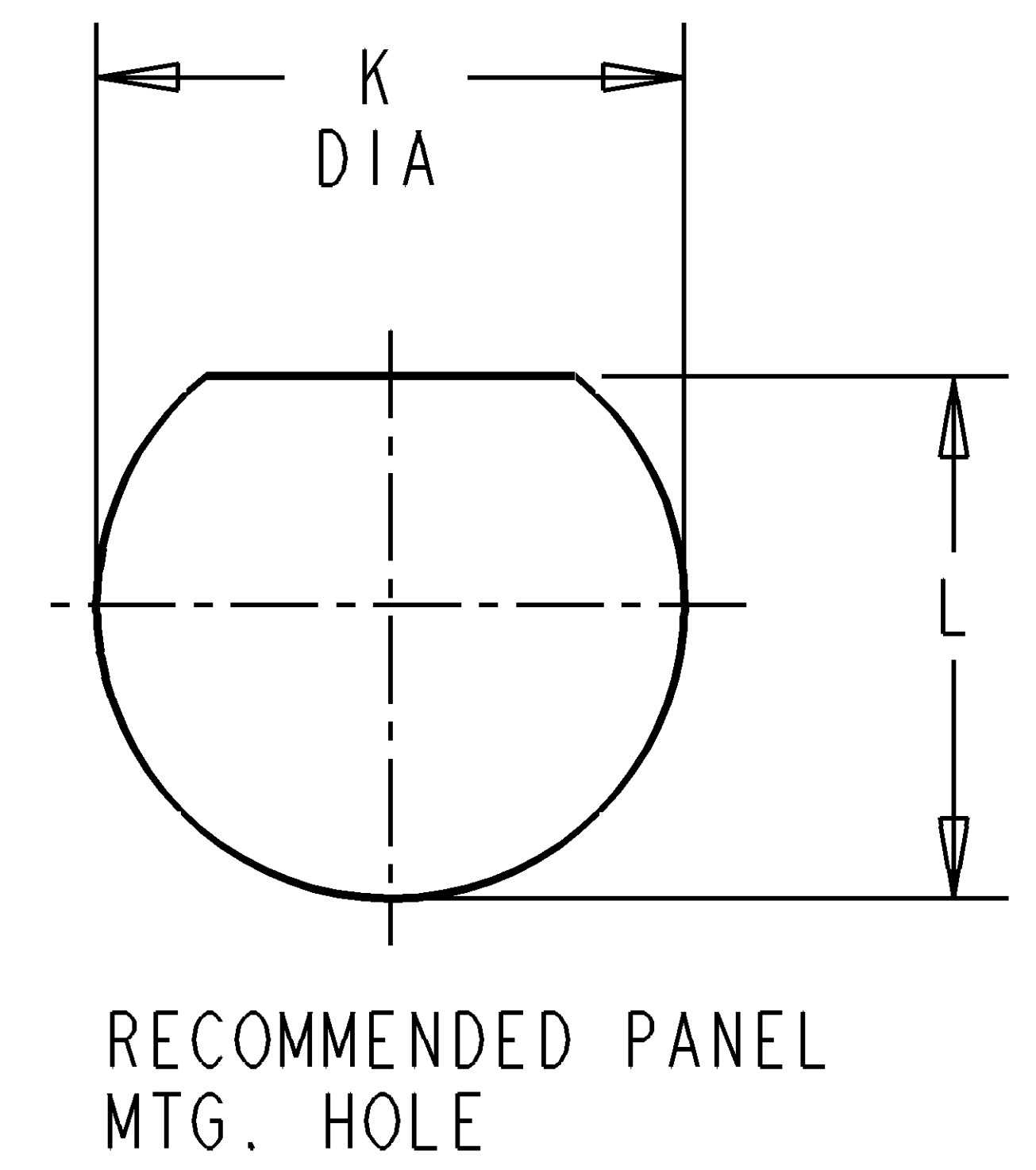
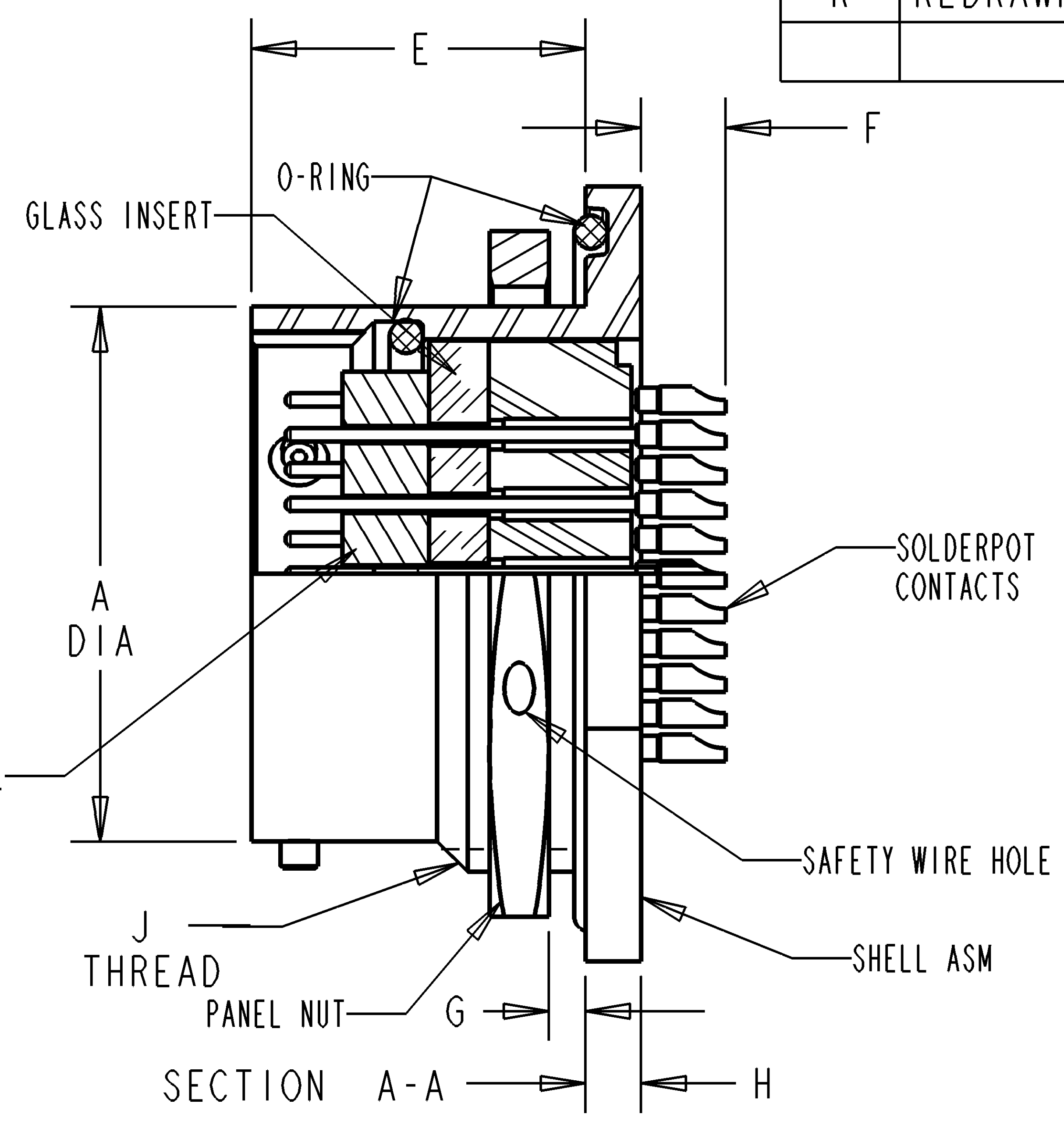
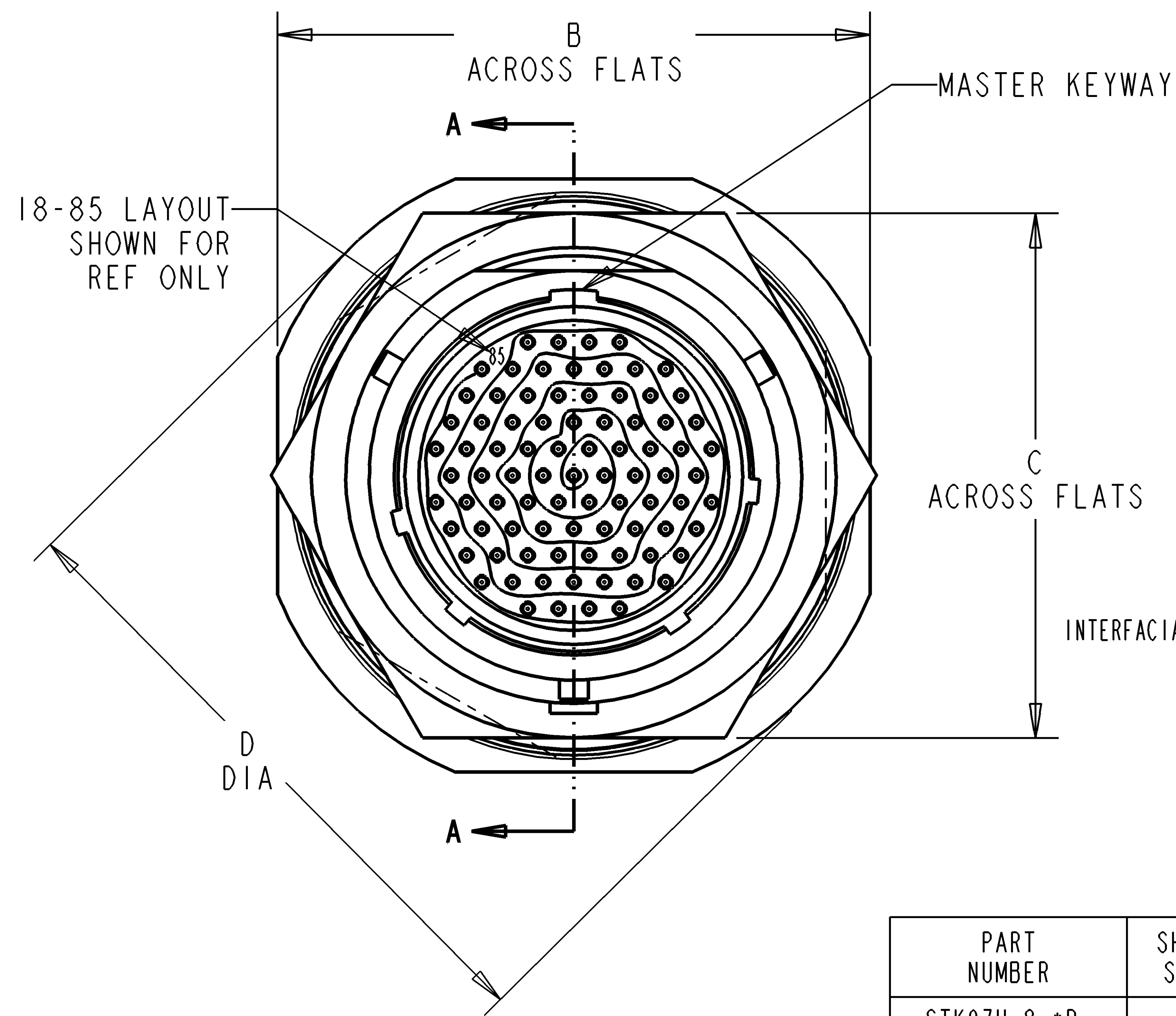


PROPERTY OF DEUTSCH E. I. S.
 THIS DRAWING CONTAINS PROPRIETARY INFORMATION THAT SHALL NOT BE DISCLOSED, DUPLICATED,
 NOR USED IN WHOLE OR IN PART FOR ANY PURPOSE OTHER THAN TO EVALUATE THIS DRAWING.

K	STK07H-*-*P	REVISIONS			
		REV	DESCRIPTIONS	DATE	APPROVED
		J	REVISED PER E.O. A5592	9/22/86	J.S.
		K	REDRAWN AND REVISED PER E.O. H3137	6/13/01	L.S.



PART NUMBER	SHELL SIZE	A ^{+0.001} _{-0.005}	B±.016	C±.016	D MAX	E±.005	F±.030	G PANEL THK. MIN MAX	H±.006	J THREAD 2A	K ^{+0.010} _{-0.000}	L ^{+0.000} _{-0.010}
STK07H-8-*P	8	.473	.938	.750	1.078	.701	.177	.062 .125	.094	.5625-24UNEF	.572	.542
STK07H-10-*P	10	.590	1.062	.875	1.203	.701	.177	.062 .125	.094	.6875-24UNEF	.697	.669
STK07H-14-*P	14	.875	1.375	1.188	1.516	.701	.177	.062 .125	.094	1.0000-20UNEF	1.007	.955
STK07H-16-*P	16	1.000	1.500	1.312	1.641	.701	.177	.062 .125	.094	1.1250-18UNEF	1.134	1.084
STK07H-18-*P	18	1.125	1.625	1.438	1.766	.701	.177	.062 .125	.094	1.2500-18UNEF	1.259	1.208

- INSERTS ARE CONTINUOUS DIELECTRIC.
- CONTACT IDENTIFICATION IS IN CONTRASTING COLOR TO INSERTS.
- FINISH: SHELL - TIN OVER NICKEL PLATED;
CONTACTS - GOLD OVER NICKEL PLATED.
- MATERIAL: CONTACTS-HIGH NICKEL IRON ALLOY;
SHELL-MILD STEEL;
GLASS INSERT-COMPRESSION GLASS;
INTERFACIAL SEAL-ELASTOMER;
'O' RING-SILICONE


5. DIMENSIONS ARE IN INCHES UNLESS NOTED.

NOTE(S):

FILE:STK07H-X-XP-ENV

	SIGNATURE & DATE
DR	D.BIBB 5/14/01
CHK	L.STOLLE 6/13/01
PE	J.AGUILERA 6/14/01
APPD	J.AGUILERA 6/14/01
SCALE:	NONE

RECEPTACLE, CONNECTOR
 BAYONET COUPLING
 JAM-NUT MOUNTING
 SUB-MINATURE
 ELECTRICAL, HERMETIC
 ENVELOPE

CP	MATL CODE 70
DEUTSCH ENGINEERED INTERCONNECT SOLUTIONS  250 Eddie Jones Way Oceanside, CA 92054	
B	STK07H-*-*P
DWG SIZE	CAGE CODE 11139 SHEET 1 OF 1

X-ON Electronics

Largest Supplier of Electrical and Electronic Components

Click to view similar products for [Circular MIL Spec Connector](#) category:

Click to view products by [TE Connectivity](#) manufacturer:

Other Similar products are found below :

[0025-262-542](#) [0025-264-3014](#) [58-570121-04S](#) [0134-202-1200](#) [0134-207-1206](#) [0134-207-1800](#) [0134-207-2207](#) [0134-213-0806](#) [0134-213-1007](#) [0134-213-1009](#) [0134-213-1208](#) [0134-213-1800](#) [0134-213-2209](#) [0025-258-000](#) [015-9516-002](#) [60-042722-19P](#) [0114-201-1278](#) [602GB06EG24-61SN](#) [0134-201-1207](#) [0134-201-1806](#) [0134-201-2006](#) [0134-201-2007](#) [0134-201-2010](#) [0134-202-1400](#) [0134-207-0809](#) [0134-207-1208](#) [0134-207-2009](#) [0134-213-1006](#) [6104-207-2302](#) [6104-208-1902](#) [6104-215-0902](#) [6131-202-19149P](#) [6131-204-21149P](#) [6131-207-13149P](#) [6131-208-13149P](#) [6131-209-17149P](#) [6131-210-11149P](#) [6131-211-19149P](#) [6131-216-19149P](#) [6131-220-25149P](#) [6131-259-11149P](#) [6131-259-21149P](#) [6131-259-23149P](#) [6131-263-19149P](#) [6131-265-17149P](#) [6131-265-19149P](#) [CS3102A-20-15P](#) [CS3102A-20-15S](#) [CS3106A-10SL-53S](#) [CS3106A-10SL-64S](#)