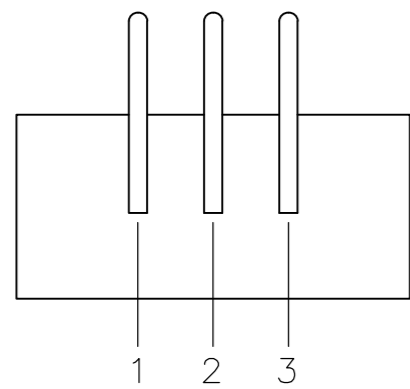
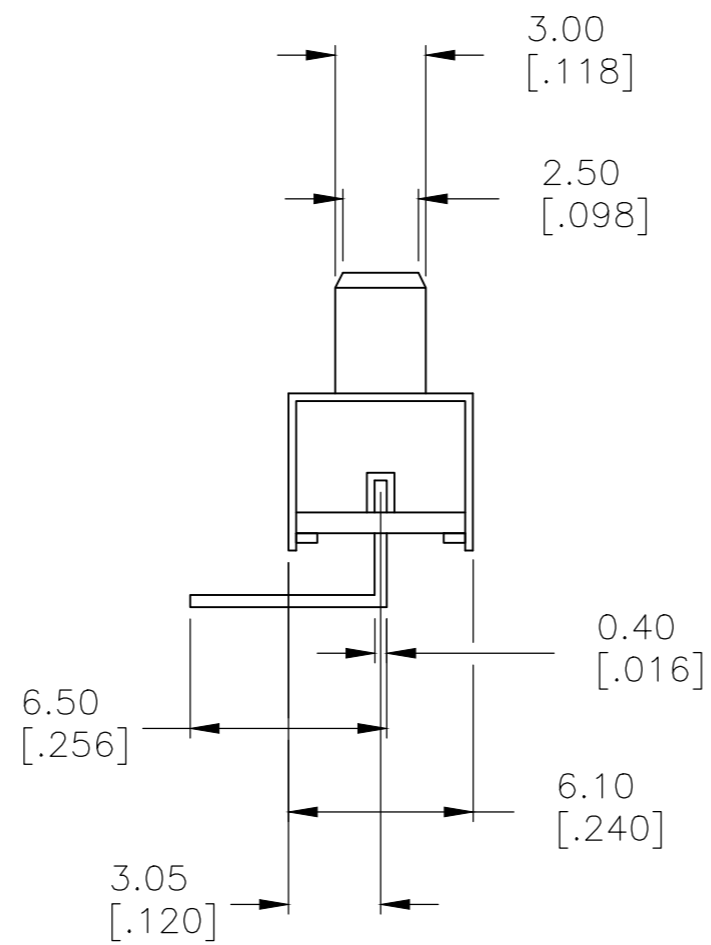
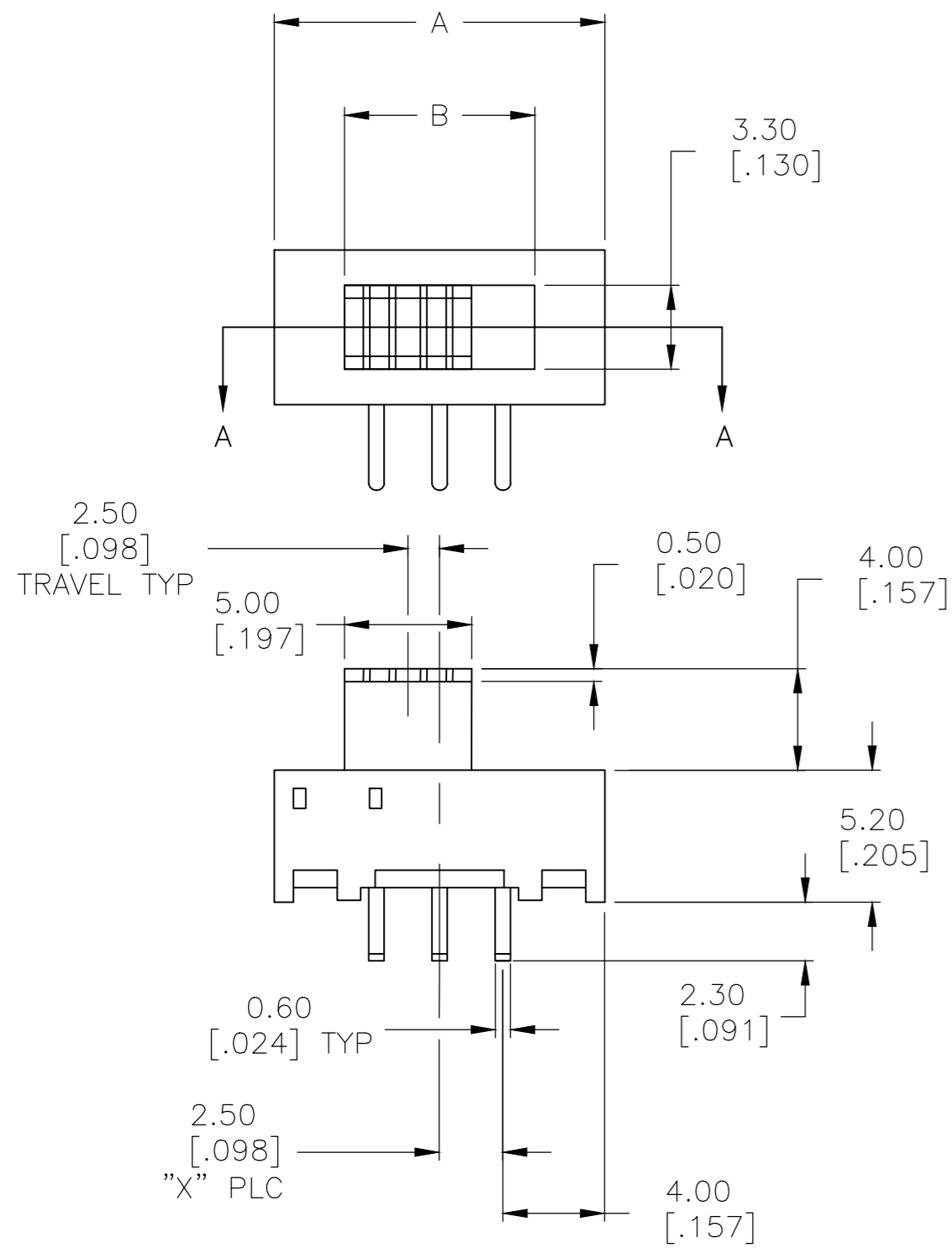
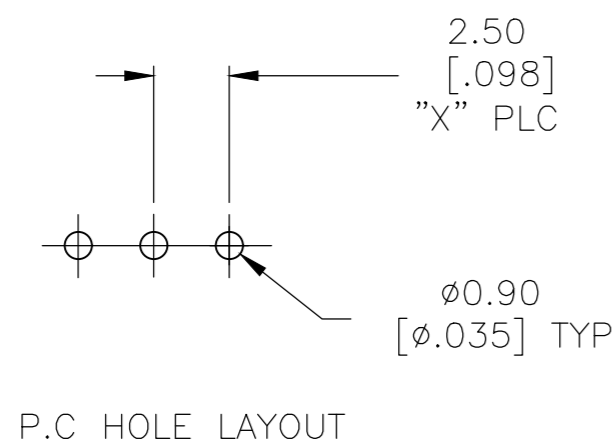


THIS DRAWING IS UNPUBLISHED. RELEASED FOR PUBLICATION  
 © COPYRIGHT - TE Connectivity ALL RIGHTS RESERVED.

REVISIONS					
P	LTR	DESCRIPTION	DATE	DWN	APVD
	A3	REVISED PER ECR-18-010041	10JAN2020	SB	PO



1825160-1 AS SHOWN



SPECIFICATIONS:  
 MAKE-BEFORE-BREAK

MATERIALS:

FRAME: STEEL, ZINC PLATE  
 ACTUATOR: POM UL94HB, BLACK  
 FIXED CONTACT/TERMINAL: COPPER ALLOY,  
 SILVER OVER NICKEL PLATE  
 MOVING CONTACT: COPPER ALLOY, SILVER CLAD  
 COIL SPRING: TEMPERED STEEL WIRE  
 BALL- TEMPERED CARBON STEEL  
 TERMINAL BOARD: PHENOLIC, UL94HB  
 TERMINAL SEAL: PHENOLIC RESIN

ELECTRICAL:

CONTACT RATING: 250 MILLIAMPS@125V AC  
 CONTACT RESISTANCE: 30 MILLIOHMS MAX (INITIAL),  
 60 MILLIOHMS AFTER TEST  
 INSULATION RESISTANCE: 500 MEGOHMS MIN AT 500V DC  
 DIELECTRIC STRENGTH: 500 VAC RMS AT SEA LEVEL  
 LIFE EXPECTANCY: 10,000 CYCLES MIN. NO LOAD

MECHANICAL:

ACTUATION FORCE: 250 +150/-100 GRAMS  
 TRAVEL: 2.49 (.098)

ENVIRONMENTAL:

OPERATING TEMPERATURE: -10 TO +60 DEGREES C  
 STORAGE TEMPERATURE: -10 TO +60 DEGREES C  
 RESISTANCE TO SOLDER HEAT: 260 C FOR 10 SEC PER 109-202,  
 COND. B  
 SOLDERABILITY: PER EIA-364-56A, PROCEDURE 3, COND. B

NOTES:

- ALL MATERIALS AND FINISHES SHALL COMPLY WITH EU DIRECTIVE 2002/95/EC OF 27JAN2003 (ROHS)
- SEE SHEET 2 FOR FUNCTION DIAGRAM
- ALL PERFORMANCE SPECIFICATIONS WERE TESTED IN ACCORDANCE WITH JIS-C-5441 UNLESS OTHERWISE STATED.

OBSOLETE	6	17.50[.689]	23.01[.906]	SP6T	STS161RA04	1825160-5
	5	15.01[.591]	20.50[.807]	SP5T	STS151RA04	1825160-4
OBSOLETE	4	12.50[.492]	18.01[.709]	SP4T	STS141RA04	1825160-3
	3	10.01[.394]	15.50[.610]	SP3T	STS131RA04	1825160-2
OBSOLETE	2	7.49[.295]	13.00[.512]	SPDT	STS121RA04	1825160-1
	X PLC	DIM B	DIM A	FUNCTION	T&B PART NUMBER	TE PART NUMBER

THIS DRAWING IS A CONTROLLED DOCUMENT.		DWN B.S.VISWESWARA	16MAR05																					
DIMENSIONS: mm [INCHES]		CHK M.S.SARVER	APVD -				NAME SLIDE SWITCH, STS121RA TO STS161RA SERIES																	
TOLERANCES UNLESS OTHERWISE SPECIFIED:		PRODUCT SPEC -		RESTRICTED TO -																				
<table border="0"> <tr><td>0 PLC</td><td>±</td><td>-</td></tr> <tr><td>1 PLC</td><td>±</td><td>-</td></tr> <tr><td>2 PLC</td><td>±</td><td>0.20 [.008]</td></tr> <tr><td>3 PLC</td><td>±</td><td>-</td></tr> <tr><td>4 PLC</td><td>±</td><td>-</td></tr> <tr><td>ANGLES</td><td>±</td><td>-</td></tr> </table>		0 PLC	±	-	1 PLC	±	-	2 PLC	±	0.20 [.008]	3 PLC	±	-	4 PLC	±	-	ANGLES	±	-	APPLICATION SPEC -		SIZE A2	CAGE CODE 00779	DRAWING NO C=1825160
0 PLC	±	-																						
1 PLC	±	-																						
2 PLC	±	0.20 [.008]																						
3 PLC	±	-																						
4 PLC	±	-																						
ANGLES	±	-																						
MATERIAL -		FINISH -		WEIGHT -	SCALE 4:1	SHEET 1 OF 2																		
CUSTOMER DRAWING				REV A3																				

THIS DRAWING IS UNPUBLISHED. RELEASED FOR PUBLICATION  
 © COPYRIGHT - TE Connectivity ALL RIGHTS RESERVED.

REVISIONS				
P	LTR	DESCRIPTION	DATE	APVD
-	-	SEE SHEET 1	-	-

PART NUMBER

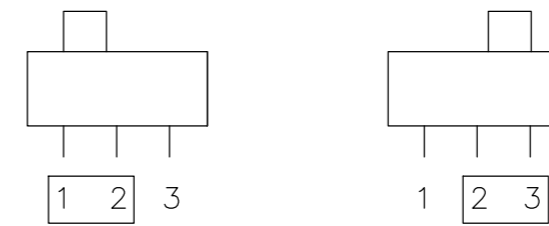
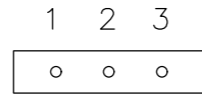
FUNCTION

BOTTOM VIEW

FUNCTION DIAGRAM

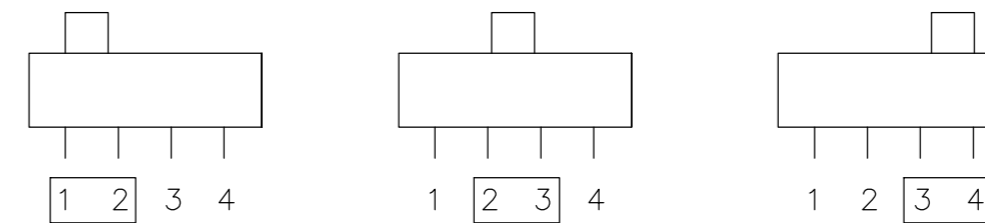
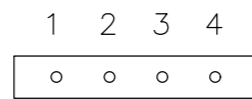
1825160-1

SPDT



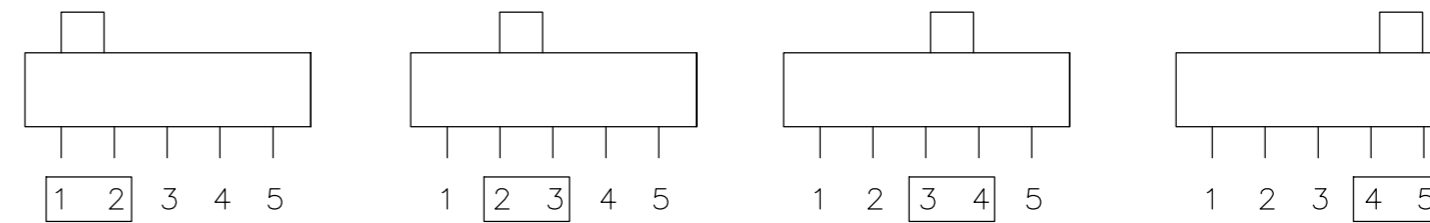
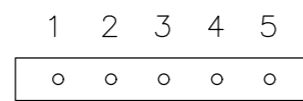
1825160-2

SP3T



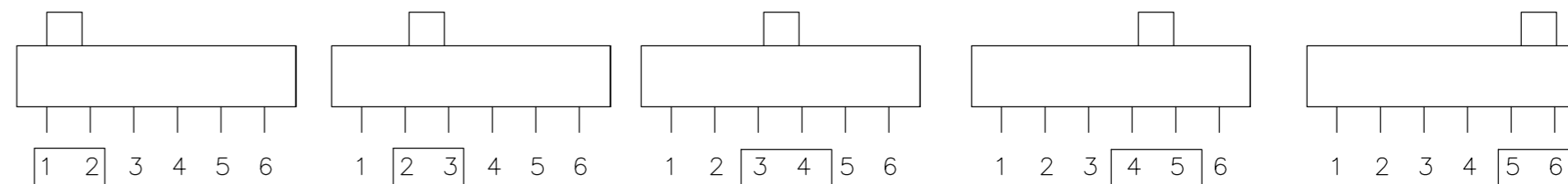
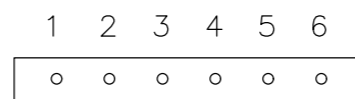
1825160-3

SP4T



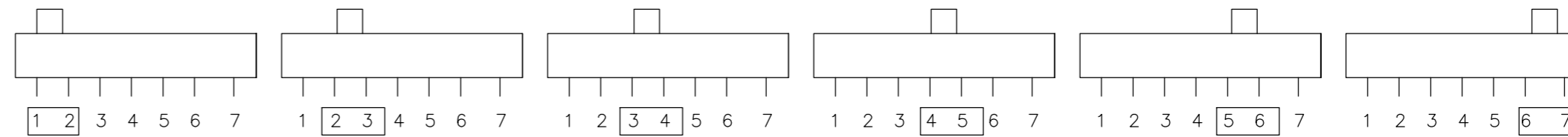
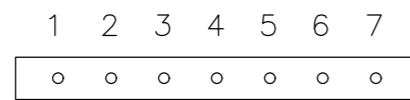
1825160-4

SP5T



1825160-5

SP6T



THIS DRAWING IS A CONTROLLED DOCUMENT.		DWN B.S.VISWESWARA 16MAR05		
DIMENSIONS: mm [INCHES]		CHK M.S.SARVER		
TOLERANCES UNLESS OTHERWISE SPECIFIED:		APVD -	SLIDE SWITCH, STS121RA TO STS161RA SERIES	
0 PLC ± - 1 PLC ± - 2 PLC ± 0.20 [.008] 3 PLC ± - 4 PLC ± - ANGLES ± -		PRODUCT SPEC -	SIZE A2	CAGE CODE 00779
MATERIAL -		FINISH -	DRAWING NO C=1825160	RESTRICTED TO -
CUSTOMER DRAWING			SCALE 4:1	SHEET 2 OF 2
			REV A3	

1825160

## X-ON Electronics

Largest Supplier of Electrical and Electronic Components

*Click to view similar products for [Slide Switches](#) category:*

*Click to view products by [TE Connectivity](#) manufacturer:*

Other Similar products are found below :

[6-1437581-1](#) [M43R](#) [MHS123K15D](#) [MHS133K](#) [MHSS1104A](#) [MMD](#) [GH49S010001](#) [MSS12A](#) [EPS1PC1](#) [1825074-1](#) [1825160-3](#) [1825167-2](#)  
[1825289-7](#) [25139NLDB](#) [25449NAH](#) [SLB1240R45](#) [1825078-1](#) [1825080-4](#) [1825269-1](#) [1825270-2](#) [STS141RA04](#) [T2215BEN506](#)  
[GH46P000001](#) [GH46W000001](#) [GH49P010001](#) [25339NA](#) [M42A](#) [TG36P000000](#) [TG36P000050](#) [AYZ0202AG](#) [47227LFE](#) [49331L](#) [50208L](#)  
[L203091MS02Q](#) [4-1437581-7](#) [X2225CR-437W](#) [49329L](#) [1101M1S3ZB8E2](#) [1-1437581-1](#) [MSS2225G04](#) [TG39W000000](#) [1825075-1](#)  
[MSS42G](#) [TG36WS80065](#) [T105S1CWZBE](#) [SLB124145](#) [SLB1280R5](#) [SLB1340R45](#) [25136NLDB](#) [TG39W000050](#)