

REVISIONS					
P	LTR	DESCRIPTION	DATE	DMN	APVD
B		REVISED PER ECO-08-023819	25SEP08	HMR	MS
C		REVISED PER ECO-17-001607	16MAY2017	RK	PO

SPECIFICATIONS

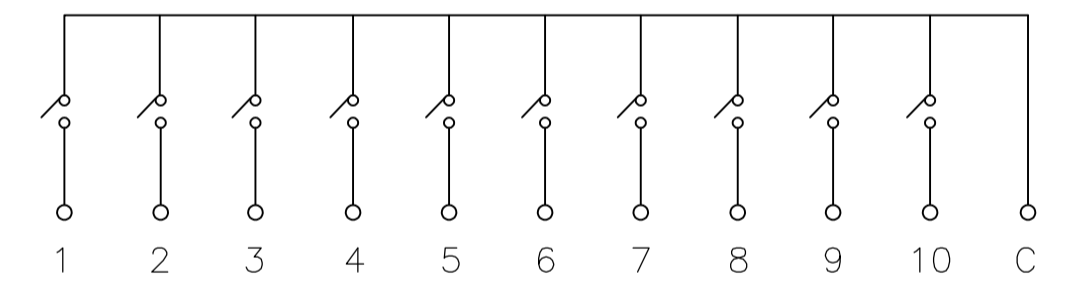
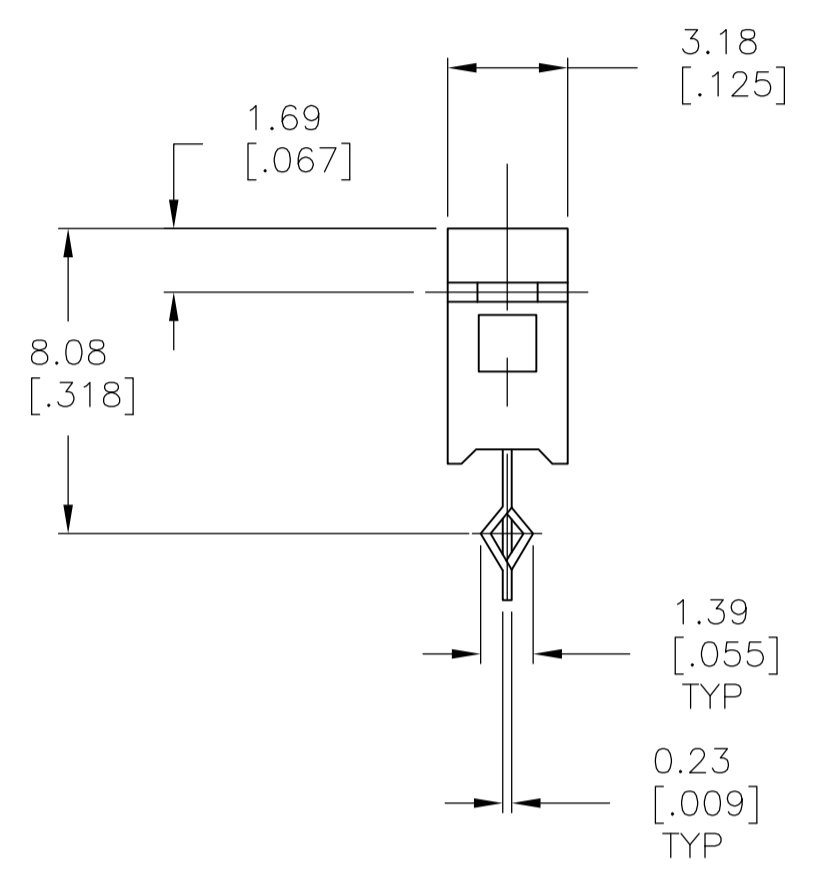
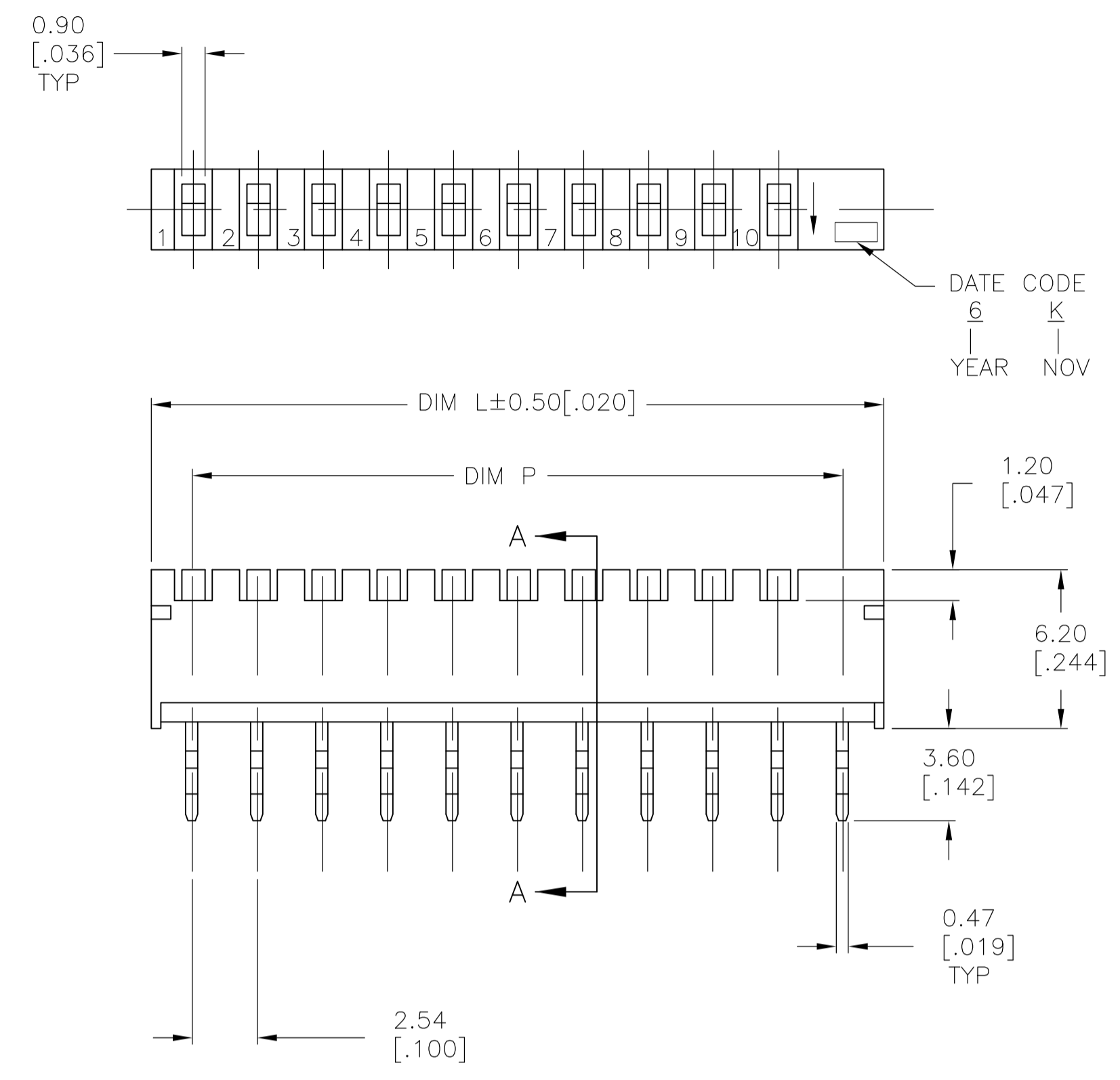
MATERIALS:
 CASE, PPS UL94V-0, BLACK
 COVER, PBT UL94V-0, BLACK
 ACTUATOR, 46 NYLON UL94V-0, WHITE
 TERMINAL/FIXED CONTACT-COPPER ALLOY- GOLD OVER NICKEL PLATE
 MOVING CONTACT-COPPER ALLOY- GOLD FLASH OVER NICKEL PLATE

ELECTRICAL:
 RATING- 1a max non-switching
 0.1µA (1mV) min switching
 DC 5V 10mA
 INITIAL CONTACT RESISTANCE- 50milliohm max. (300 milliohms after test)
 INSULATION RESISTANCE- 100Megohms min. at 100V DC
 DIELECTRIC STRENGTH- 300V RMS@SEA LEVEL
 LIFE EXPECTANCY- 1,000 CYCLES

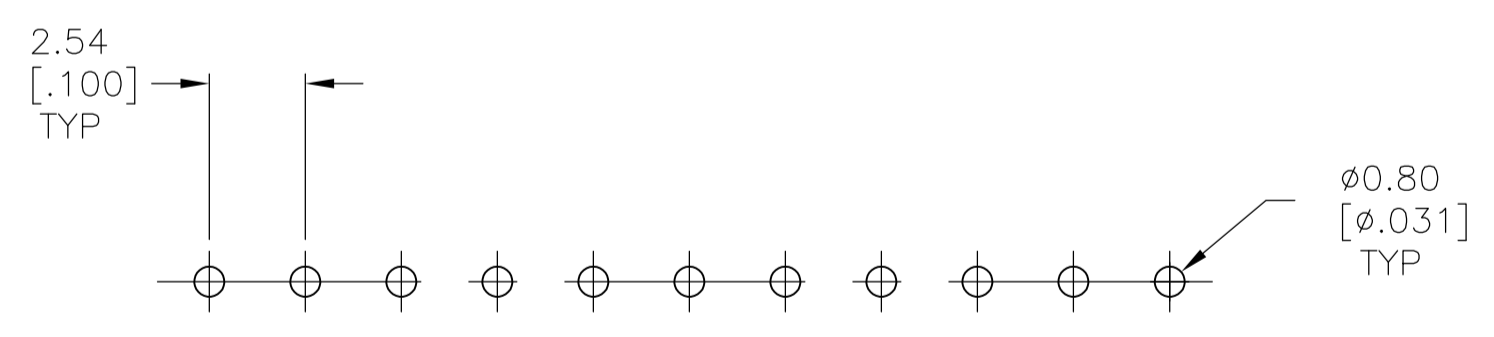
MECHANICAL:
 ACTUATION FORCE- 2.45 +/-1.47N (245 +/-147 GF)
 TRAVEL- 33°

ENVIRONMENTAL:
 OPERATING TEMPERATURE- -30 TO +85 DEGREES C
 STORAGE TEMPERATURE- -45 TO +100 DEGREES C
 RESISTANCE TO SOLDER HEAT- 265 +/-3°C for 8 +/-2 seconds
 SOLDERABILITY PER JIS-C-0050 & JIS-C-0053

- 1 ALL MATERIALS AND FINISHES SHALL COMPLY WITH EU DIRECTIVE 2002/95/EC OF 27JAN2003 (ROHS)
- 2 SWITCH SUPPLIED IN THE "OFF" POSITION AND SHOULD BE SOLDERED IN THE "OFF" POSITION.



CIRCUIT DIAGRAM



P.C. LAYOUT

TERMINALS	DIM P	DIM L	T&B P/N	PART NUMBER
OBSOLETE	1, 2, 10 & C	25.40 (1.000)	28.60 (1.126)	STV10 1977104-5
	1, 2, 8, & C	20.32 (.800)	23.52 (.926)	STV08 1977104-4
	1, 2, 6 & C	15.24 (.600)	18.44 (.726)	STV06 1977104-3
	ALL	10.16 (.400)	13.36 (.526)	STV04 1977104-2
	ALL	5.08 (.200)	8.28 (.326)	STV02 1977104-1

THIS DRAWING IS A CONTROLLED DOCUMENT. **STE** TE Connectivity

DIMENSIONS: mm [INCHES]	TOLERANCES UNLESS OTHERWISE SPECIFIED:	DIN M. BINNER 16MAY07	CHK: M. S. SARVER	NAME: SIP SWITCH (STV02 - 10 SERIES)
0 PLC ± -	1 PLC ± -	PRODUCT SPEC	APVD: -	SIZE: A1
2 PLC ± 0.30 [0.012]	3 PLC ± -	APPLICATION SPEC	APVD: -	CAGE CODE: 00779
4 PLC ± -	ANGLES ± -	WEIGHT	APVD: -	DRAWING NO: 1977104
MATERIAL: SEE SPECIFICATIONS	FINISH: -	CUSTOMER DRAWING	SCALE: 5:1	SHEET: 1 OF 1

X-ON Electronics

Largest Supplier of Electrical and Electronic Components

Click to view similar products for [DIP Switches/SIP Switches](#) category:

Click to view products by [TE Connectivity](#) manufacturer:

Other Similar products are found below :

[78M03S](#) [79B10T](#) [8136-475G4T](#) [G7G-1A2-CB-DC12](#) [H7CZL8AC100240](#) [A7SS-M](#) [A8CA-201](#) [DRR60016](#) [DRS4016](#) [1825008-1](#) [1825444-1](#) [25.350.0653.0](#) [SDA10H1BDA](#) [97R06ST](#) [A2C-2A5](#) [1825444-7](#) [ADE08SA04](#) [ADE12S04](#) [192960010](#) [2-1825058-8](#) [25.330.0653.1](#) [25.352.0353.0](#) [CXDRIVEV2X](#) [IKN0600000](#) [IKN0800000](#) [LA2-002-DC24](#) [DBS1003](#) [438872000](#) [DRD10CRAE04](#) [DSR02T](#) [DSS 208 N](#) [E2FMX2D1M1TGJ03M](#) [NDI10H](#) [219-9MSTP](#) [204-6ES](#) [EPM02FV](#) [701521596](#) [NDS08V](#) [76SB05](#) [79A10](#) [TD06H0SK1](#) [Z7.255.9027.0](#) [1-1825058-3](#) [1825428-4](#) [219-10LPSTF](#) [E3ZG6111D03M](#) [G4D212PUSTV2DC5](#) [195-7MSTN](#) [NDI05H](#) [EPG301BT06](#)