

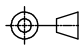


## CODE 40 - TINEL-LOCK BACKSHELL

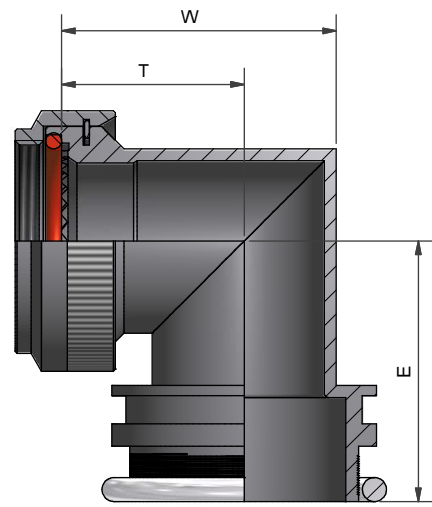
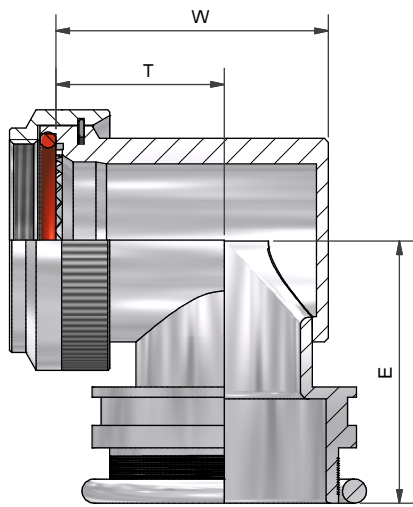
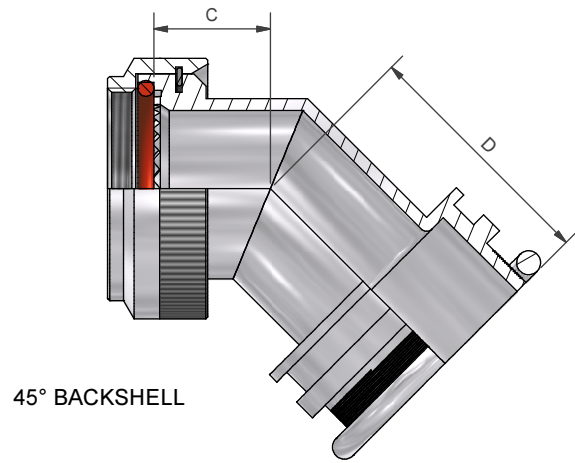
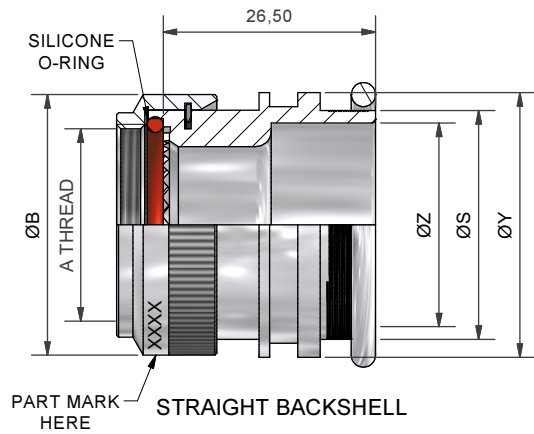
**STXR40AB00-1616AI-S**

SERIES \_\_\_\_\_  
 STXR: RING INCLUDED  
 (SEE RING OPTION)  
 STX: RING NOT INCLUDED  
 CONNECTOR INTERFACE \_\_\_\_\_  
 MATERIAL \_\_\_\_\_  
 REFER TO CH00-0250-008  
 FINISH \_\_\_\_\_  
 REFER TO CH00-0250-008  
 ANGLE \_\_\_\_\_  
 ORDER NUMBER (TABLE 1) \_\_\_\_\_  
 ENTRY SIZE (TABLE 2) \_\_\_\_\_  
 RING OPTION \_\_\_\_\_  
 AI - TO SUIT SINGLE BRAID  
 BI - TO SUIT DOUBLE BRAID  
 FOR STX, LEAVE BLANK  
 MODIFICATION CODE \_\_\_\_\_  
 REFER TO CH00-0250-008 (2)

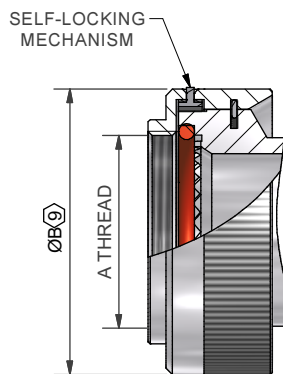
### NOTES:

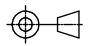
1. THIS PRODUCT IS DESIGNED TO TERMINATE A BRAIDED CABLE SHIELD AND A HEAT SHRINKABLE LIPPED BOOT TO A CONNECTOR.
- (2) FOR ADDITIONAL DIMENSIONS, ORDERING INFORMATION AND MODIFICATIONS, SEE CH00-0250-008.
- (3) SEE DRAWING TR FOR DETAIL ON TINEL-LOCK RING, RINGS ARE DESIGNED TO BE HEATED ELECTRICALLY, ALL RINGS ARE MARKED WITH THERMOCHROMIC PAINT WHICH CHANGES COLOUR WHEN INSTALLATION TEMPERATURE IS REACHED.
4. BACKSHELL TO BE PERMANENTLY MARKED/BAGGED AND LABELLED WITH CODE IDENTIFICATION NUMBER AND PART NUMBER LESS RING DESIGNATOR. (e.g. 06090-STXR40AB00-2018). RING SHALL BEAR NO MARKING.
- (5) TINEL-LOCK RING ENTRY SIZE AND BRAID DESIGNATOR IS TO BE SPECIFIED IN PART NUMBER WHEN ORDERING.
6. BACKSHELL MATES TO MIL-DTL-38999, SERIES III AND IV, CLASS C, F, K, AND W, D38999/20, /24, /26, /40, /46 AND /47 CONNECTORS, AND WHEN SO MATED SHALL PROVIDE A WATER-TIGHT SEAL MEETING THE REQUIREMENTS OF MIL-C-85049, PARA. 3. 5. 7.
- (7) PREFIX 'S' DENOTES THAT THE ADAPTER HAS A LARGER ENTRY THAN THE STANDARD TXR BUT IS STILL OF THE TYPE 1 DESIGN.
- (8) SEE SHEET 3 FOR TABLE OF ENTRY SIZE APPLICABLE TO THE STXR RANGE. FOR ENTRY SIZE LARGER THAN MAX INDICATED, CONTACT TE. MAX ENTRY ONLY APPLIES TO ANGLES 45 & 90.
- (9) THESE DIMENSIONS APPLY IF A SELF-LOCKING COUPLING NUT IS USED.

DRAWN	K.WINCZURA	DATE	20/01/2015	 3RD ANGLE PROJECTION NOT TO SCALE	<b>TITLE:</b>  <b>TINEL-LOCK BACKSHELL</b>	 <b>Polamco</b> 		
CHECKED		20/01/2015						
APPROVED	K.SHEPPARD	29/01/2015	UNLESS OTHERWISE SPECIFIED ALL DIMENSIONS IN MILLIMETRES GENERAL TOL LINEAR +/-0.25MM ANGULAR +/- 1°					
APPROVED	H.SMITH	10/08/2015						
<b>REVISIONS</b>					<b>ASSY USED ON:</b>  <b>MIL-DTL-38999 SERIES III &amp; IV</b>			
LTR	DESCRIPTION	DATE	APPROVED					
D	REVISED PER ECO-15-002339	18/02/2015	H.SMITH					
E	REVISED PER ECO-15-010970	10/08/2015	H.SMITH					
TE CAGE CODE: 06090 POLAMCO/TE CAGE CODE: U5792					TE CONNECTIVITY - POLAMCO LTD RESERVES THE RIGHT TO AMEND THIS DRAWING AND THE INFORMATION SET FORTH HEREON AT ANY TIME. USERS SHOULD INDEPENDENTLY EVALUATE THE SUITABILITY OF THE PRODUCT FOR THEIR APPLICATION.	<b>DRAWING NO:</b> <b>STXR40</b>	<b>DRAWING REV:</b> <b>E</b>	<b>SHT</b> <b>1</b>



### MODIFICATION S



DRAWN	K.WINCZURA	DATE	20/01/2015	 3RD ANGLE PROJECTION NOT TO SCALE
CHECKED		DATE	20/01/2015	
APPROVED	K.SHEPPARD	DATE	29/01/2015	
APPROVED	H.SMITH	DATE	10/08/2015	
UNLESS OTHERWISE SPECIFIED ALL DIMENSIONS IN MILLIMETRES GENERAL TOL LINEAR +/-0.25MM ANGULAR +/- 1°				
REVISIONS				
LTR	DESCRIPTION	DATE	APPROVED	
D	REVISED PER ECO-15-002339	18/02/2015	H.SMITH	
E	REVISED PER ECO-15-010970	10/08/2015	H.SMITH	

TITLE:

TINEL-LOCK BACKSHELL

ASSY USED ON:

MIL-DTL-38999 SERIES III & IV



TE CAGE CODE: 06090  
POLAMCO/TE CAGE CODE: U5792

TE CONNECTIVITY - POLAMCO LTD RESERVES THE RIGHT TO AMEND THIS DRAWING AND THE INFORMATION SET FORTH HEREON AT ANY TIME. USERS SHOULD INDEPENDENTLY EVALUATE THE SUITABILITY OF THE PRODUCT FOR THEIR APPLICATION.

DRAWING NO:  
**STXR40**

DRAWING REV:  
**E**

SHT  
**2**

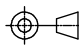
THESE DIMENSIONS APPLY IF  
BACKSHELL IS STAINLESS STEEL  
OR NICKEL ALUMINIUM BRONZE

TABLE 1

ORDER NUMBER	SHELL SIZE COM / MIL	A THREAD	ØB MAX	ØB(9) MAX	ENTRY SIZE		C ±0,5	D ±0,5	W ±0,5	T ±0,5	E ±0,5	W ±0,5	T ±0,5	E ±0,5
					MIN	MAX(8)								
08	9 / A	M12 × 1.0	18,0	21,5	05	06	12,0	26,8	21,0	14,0	26,20	21,2	16,3	26,4
10	11 / B	M15 × 1.0	21,0	24,6	08	10	12,5	27,5	24,0	15,5	27,95	24,3	17,2	28,2
12	13 / C	M18 × 1.0	24,5	28,3	10	12	13,1	28,0	27,0	17,0	29,45	28,3	19,4	29,7
14	15 / D	M22 × 1.0	29,0	32,4	12	16	13,5	29,0	31,0	19,5	31,00	31,1	21,0	31,2
16	17 / E	M25 × 1.0	32,5	35,6	14	18	14,5	29,7	34,0	21,0	32,70	34,2	22,8	32,9
18	19 / F	M28 × 1.0	35,5	38,5	16	20	15,5	30,5	35,0	20,0	34,25	38,5	25,3	34,5
20	21 / G	M31 × 1.0	37,0	41,7	18	22	16,1	30,9	38,0	21,5	35,80	40,7	26,1	36,1
22	23 / H	M34 × 1.0	40,0	43,9	20	24	16,5	31,1	42,0	24,0	37,40	43,7	27,6	37,6
24	25 / J	M37 × 1.0	43,5	47,0	22	24	17,0	32,1	45,0	25,5	38,90	46,4	29,1	39,1

TABLE 2

ENTRY SIZE	ØZ MIN	ØS	ØY ±0,3
05	7,92	11,06 +/-0,04	15,50
06	9,53	12,66 +/-0,04	17,10
07	11,10	14,21 +/-0,07	18,70
08	12,70	15,81 +/-0,07	20,30
10	15,88	18,96 +/-0,08	23,50
12	19,05	22,14 +/-0,08	26,70
14	22,23	25,30 +/-0,08	29,80
16	25,40	28,48 +/-0,08	33,00
18	28,58	31,65 +/-0,08	36,20
20	31,75	34,83 +/-0,08	39,40
22	34,93	37,98 +/-0,08	42,50
24	38,10	41,15 +/-0,08	45,70

DRAWN	K.WINCZURA	DATE 20/01/2015	 3RD ANGLE PROJECTION NOT TO SCALE  UNLESS OTHERWISE SPECIFIED ALL DIMENSIONS IN MILLIMETRES GENERAL TOL LINEAR +/-0,25MM ANGULAR +/- 1°
CHECKED		20/01/2015	
APPROVED	K.SHEPPARD	29/01/2015	
APPROVED	H.SMITH	10/08/2015	
REVISIONS			
LTR	DESCRIPTION	DATE	APPROVED
D	REVISED PER ECO-15-002339	18/02/2015	H.SMITH
E	REVISED PER ECO-15-010970	10/08/2015	H.SMITH
TE CAGE CODE: 06090 POLAMCO/TE CAGE CODE: U5792			

TITLE:		TINEL-LOCK BACKSHELL	
ASSY USED ON:		MIL-DTL-38999 SERIES III & IV	
TE CONNECTIVITY - POLAMCO LTD RESERVES THE RIGHT TO AMEND THIS DRAWING AND THE INFORMATION SET FORTH HEREON AT ANY TIME. USERS SHOULD INDEPENDENTLY EVALUATE THE SUITABILITY OF THE PRODUCT FOR THEIR APPLICATION.			



Polamco



TE connectivity

DRAWING NO: <b>STXR40</b>	DRAWING REV: <b>E</b>	SHT <b>3</b>
------------------------------	--------------------------	-----------------

## X-ON Electronics

Largest Supplier of Electrical and Electronic Components

*Click to view similar products for [Circular MIL Spec Backshells](#) category:*

*Click to view products by [TE Connectivity](#) manufacturer:*

Other Similar products are found below :

[5M2919-3DW](#) [5M2953-1HW](#) [5PTC0023-28C](#) [5PTV7106-AC](#) [5PTV7107-HC](#) [610HS012M15](#) [M28840/805WB](#) [M28840/809WA](#)  
[M28840/815WA](#) [M28840/816WA](#) [627AS017M14](#) [655HS002NF11](#) [CW3899-000](#) [M85049/10-134S](#) [M85049/10-17S](#) [M85049/10-33S](#)  
[M85049/10-94W](#) [M85049/11-63N](#) [M85049/120-14W](#) [M85049/124-23W](#) [M85049/1919N05](#) [M85049/24-71N](#) [M85049/25-47N](#) [M85049/25-94W](#) [M85049/27S12N](#) [M85049/39-11S](#) [M85049/39-17S](#) [M85049/39-9S](#) [M85049/6-10B](#) [M85049/6-19N](#) [M85049/6-20B](#) [M85049/79-25N04](#)  
[M85049/81-10](#) [M85049/82-22P02](#) [M85049/85-24P01](#) [M85049/86-16P03](#) [M85049/88-19P02](#) [M85049/88-21P02](#) [M85049/88-23P02](#)  
[M85049/89-11P03](#) [M85049/90-11J03](#) [M85049/90-13P02](#) [M85049/90-15P03](#) [M85049/90-19P02](#) [M85049/92-09T](#) [801-005-02Z19-19PA](#)  
[84030008](#) [8500-2472 900](#) [85202A14](#) [FRCIR020R-16-10P-F80-T108-VO](#)