

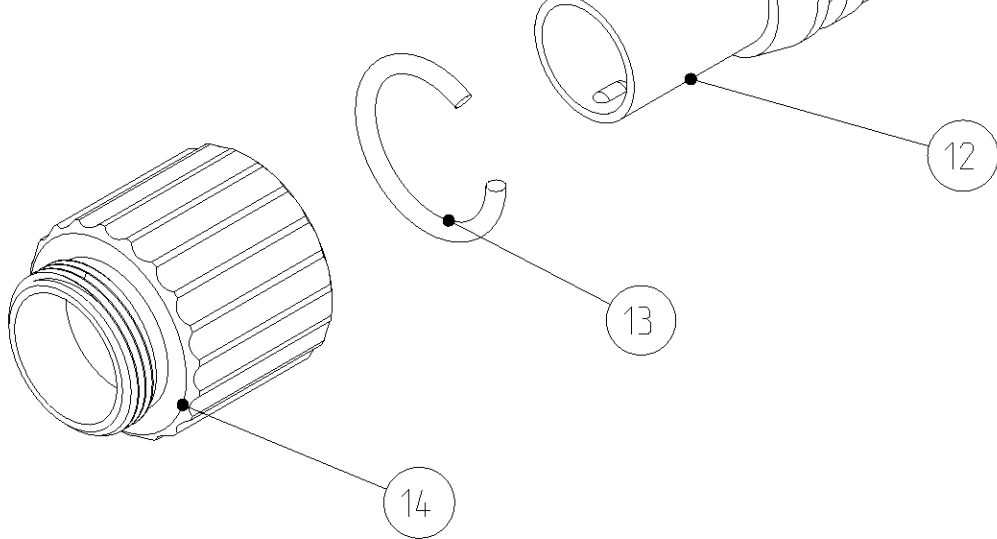
Shielded Circular Subminiature Connectors (TRIAD™ 01) Product Line Information

TRIAD™01 Shielded Subminiature Circular Connectors



Product Facts

- Small and lightweight, shielded round connector system
 - Panel mount PCB versions - 180° and 90°
 - Panel mount - Solder Cup - 180° versions
 - Field serviceable male and female connectors--crimp and solder version--for on site connections
 - Single and double ended overmoulded cable leads are available
 - Customized assemblies are possible to make upon request
 - Components for BUS applications available
-



B

A

$\phi 12$

Description

Where shielding is a requirement in medical or industrial applications there will be the use of TRIAD™01 a good decision. The small and lightweight system is available as panel mount headers with solid posts 180° and 90° for soldering on PC boards and also with solder cups for wire termination.

The PCB version has two board locks and the solder cup version has two solder tabs for grounding.

Through the three O-ring design on the panel mount connectors and in connection with the over-moulded cable assemblies, TRIAD™01 is a liquid and dust tight system according to IP65 protection class (DIN 40050). The reasonable shielding, the small diameters, the over-moulded connector with cable and the use of metallic parts makes TRIAD™01 also useable in harsh environments such as a factory where TRIAD™01 can be used in BUS applications such as CAN or MODULAR too.

Components such as T-Adapters and terminator plugs with a resistor are also available in different colors upon request (e.g. yellow and purple).

Specifications

Shell Protection Class (nested condition): IP65 acc. DIN 40050

Temperature Range: -40°C to +85°C

Mating Cycles: ≤500

Test Voltage: 625 V AC

Operating Voltage: 60 V AC

Contact Resistance: < 6 m ohm

Interlock: Screw Type

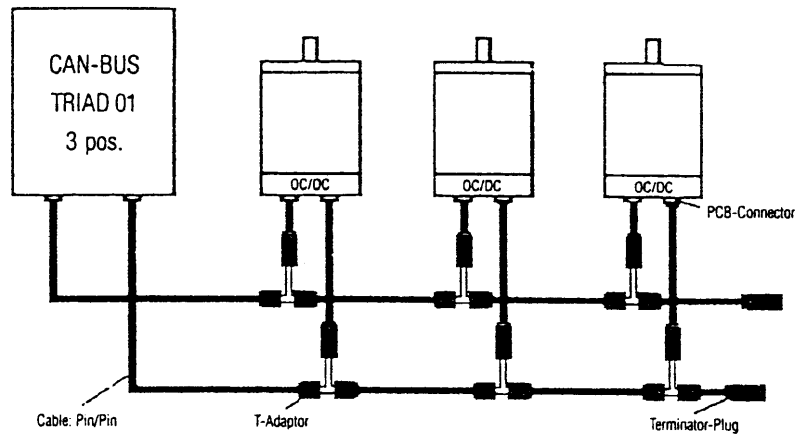
TRIAD 01 is a subminiature circular connector system which can be used for applications where shielding is a requirement. Beside the excellent shielding properties of TRIAD01 there is also a good resistance against UV beams because of the OPTALCOY® plating for all metal shell parts. TRIAD01 is a liquid- and dust-tight system according to IP65 protection-class (DIN 40050).

4

A 3xO-ring design of the TRIAD01 panel-mount-connectors is ideal for using the TRIAD01 system in smoke-analysis applications. Special T-adaptors with either a TRIAD01 connector or a SUB-D connector as Interface-Plug are offering the usage of TRIAD01 for BUS wiring like for a CAN- or for a MOD-BUS.

Both systems consist of 3 items:

- 1 The T-Adaptor
- 2 The "Trunk"-Cable – an overmoulded cable with 2 male connectors
- 3 Terminator-Plug



131-027 to 090

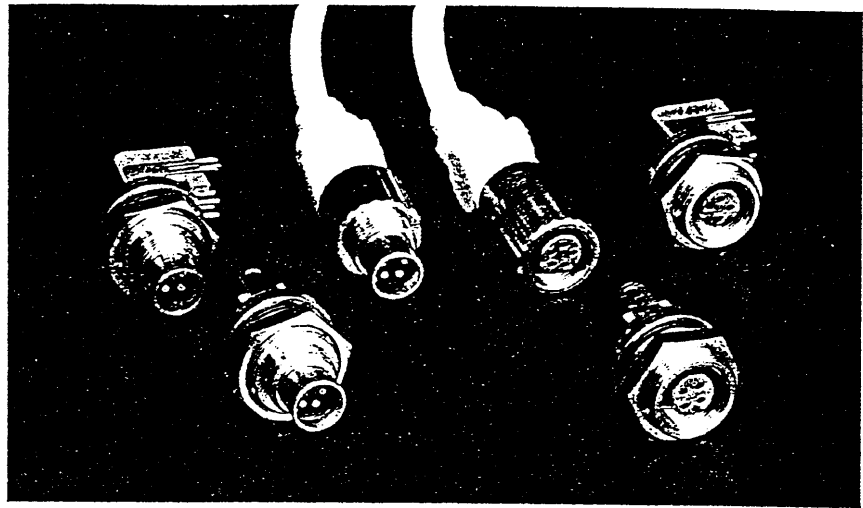
930
941

TRIAD™ 01

Shielded Subminiature

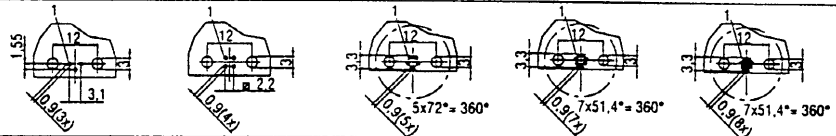
Circular Connectors

Panel Mount Version

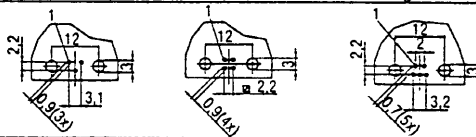


PCB layout for max. 1.6 mm thickness
(only for PCB pinversions)

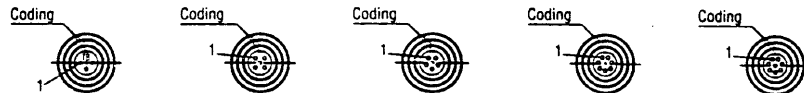
180°



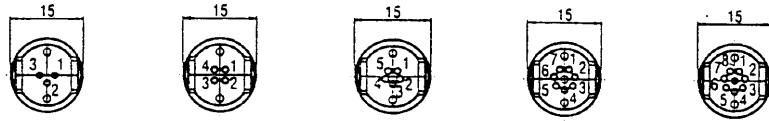
90°



Arrangement of Contacts/Mating side pinversion.



Arrangement of Contacts/
Termination side pinversion.
(For sockets, arrangement is mirror image of pin version)



| No. of Contacts | 3 | 4 | 5 | 7 | 8 |
|---|---------------|--------------|--------------|--------------|--------------|
| | Catalogue No. | | | | |
| Panel Mount 180° PCB version, pin | T01-0570-P03 | T01-0570-P04 | T01-0570-P05 | T01-0570-P07 | T01-0570-P08 |
| Panel Mount 180° PCB version, socket | T01-0570-S03 | T01-0570-S04 | T01-0570-S05 | T01-0570-S07 | T01-0570-S08 |
| Panel Mount 90° PCB version, pin | T01-0560-P03 | T01-0560-P04 | T01-0560-P05 | — | — |
| Panel Mount 90° PCB version, socket | T01-0560-S03 | T01-0560-S04 | T01-0560-S05 | — | — |
| Panel Mount 180° Handsolder version, pin | T01-0580-P03 | T01-0580-P04 | T01-0580-P05 | T01-0580-P07 | T01-0580-P08 |
| Panel Mount 180° Handsolder version, pocket | T01-0580-S03 | T01-0580-S04 | T01-0580-S05 | T01-0580-S07 | T01-0580-S08 |

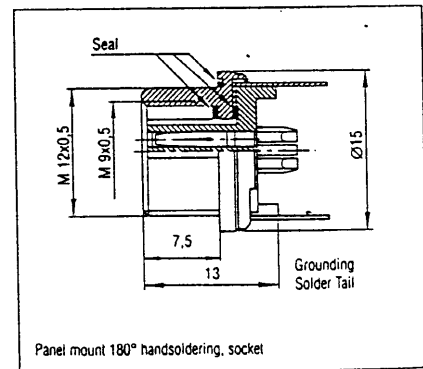
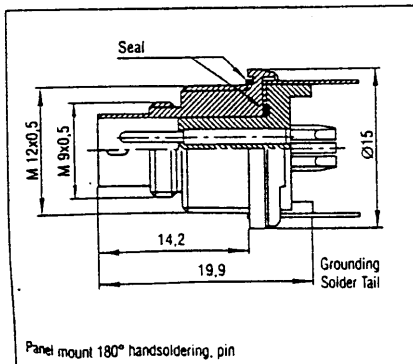
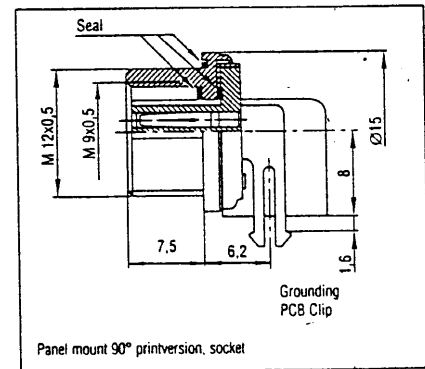
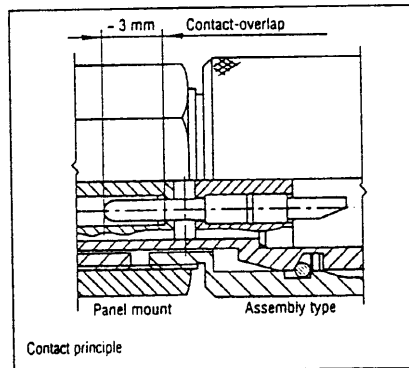
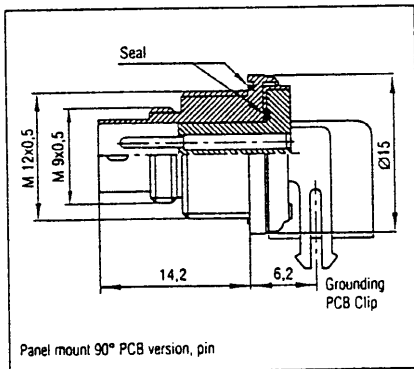
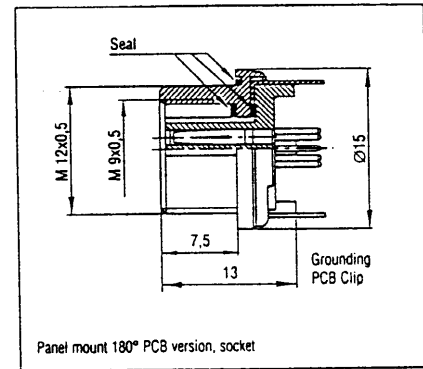
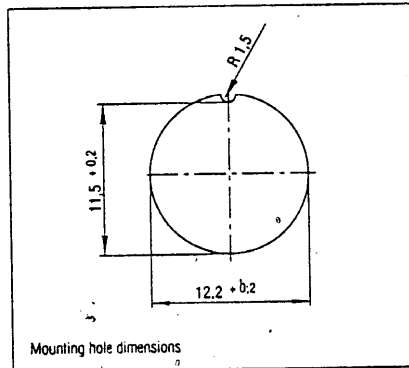
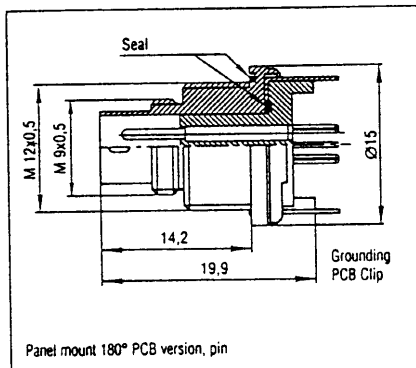
| Technical Data | 3 | 4 | 5 | 7 | 8 |
|-----------------------------|---------------------------|---|---------------------------|---|---|
| Termination | Soldering | | | | |
| Plating | Tribor 4 µm | | | | |
| Dielectric of insert | PBT UL 94-V2 | | | | |
| Shell protection class | IP 65 acc. DIN 40050 | | | | |
| Shell material | CuZn | | | | |
| Operating temperature range | -40 °C to +85 °C | | | | |
| Mating cycles | > 500 | | | | |
| Wire gage | max. 0.25 mm ² | | max. 0.14 mm ² | | |
| Rated current per contact | 3 A | | 1 A | | |
| Test voltage | 500 V AC | | 500 V AC | | |
| Operating voltage | 60 V AC | | 60 V AC | | |
| Contact resistance | < 3 m Ω | | < 5 m Ω | | |

Priority type available from stock

Minimum unit quantity: 25 pieces (500 pcs)

TRIAD™ 01

Shielded Subminiature
Circular Connectors
Panel Mount Version

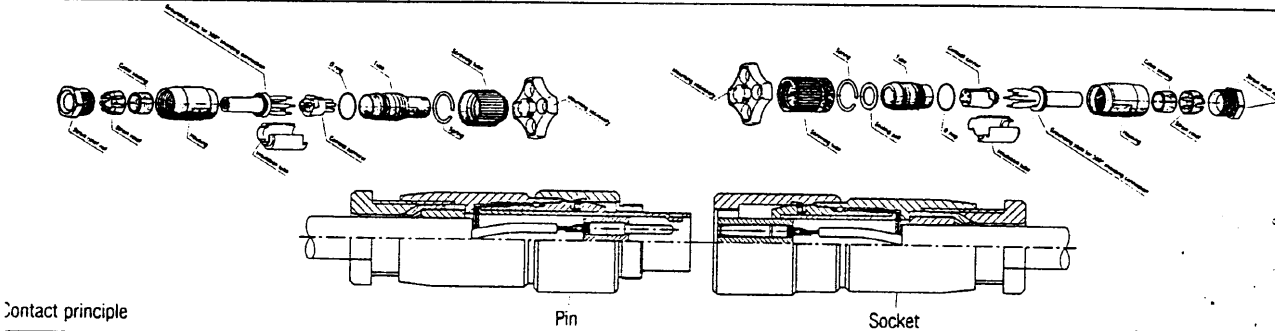
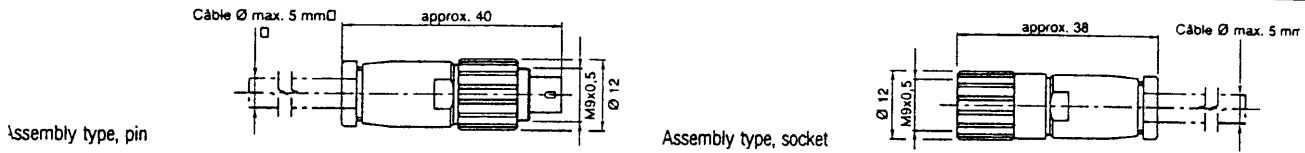
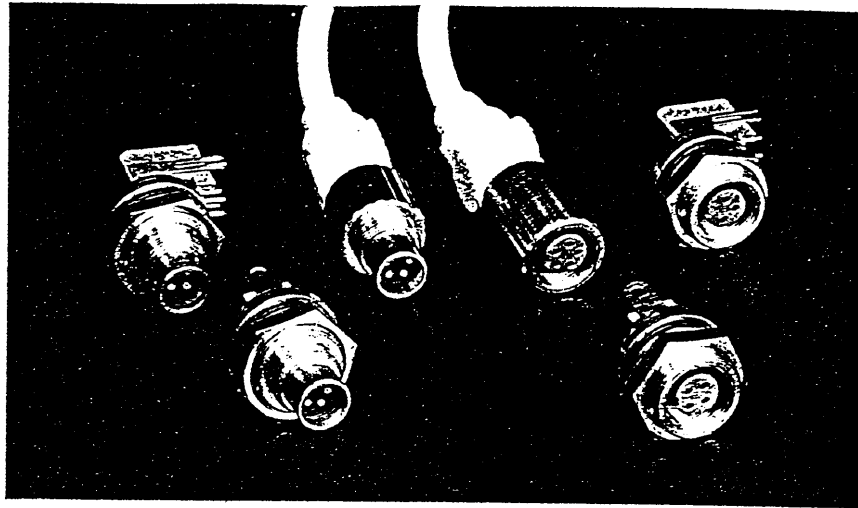


TRIAD™ 01

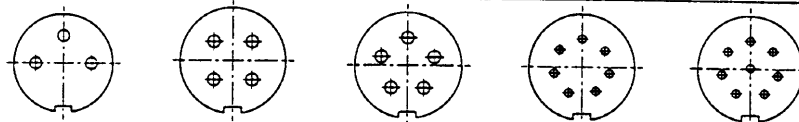
Shielded Subminiature

Circular Connectors

Cable Mount Plugs



Arrangement of Contacts



No. of Contacts

3

4

5

7

8

Catalogue No.

Assembly type, pin

T01-0550-P03

T01-0550-P04

T01-0550-P05

T01-0550-P07

T01-0550-P08

Assembly type, socket

T01-0550-S03

T01-0550-S04

T01-0550-S05

T01-0550-S07

T01-0550-S08

Technical Data

3

4

5

7

8

Termination

Soldering

Plating

Tribor 4 µm

Dielectric of insert

PBT UL 94-V2

Shell protection class

IP65 acc. DIN 40050

Shell material

CuZn

Operating temperature range

-40 °C to +85 °C

Mating cycles

> 500

Wire gage

max. 0.25 mm²

max. 0.14 mm²

Rated current per contact

3 A

1 A

Test voltage

500 VAC

500 VAC

Operating voltage

60 VAC

60 VAC

Contact resistance

< 3 mΩ

< 5 mΩ

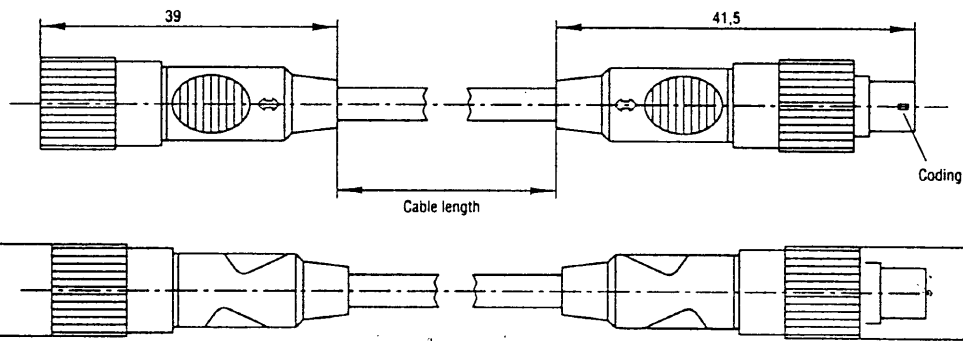
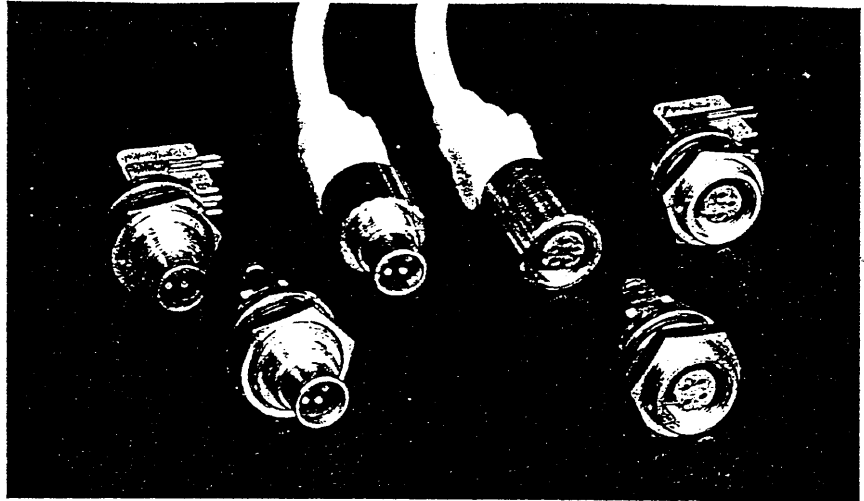
14

Priority type available from stock

Minimum unit quantity: 25 pieces

TRIAD™ 01

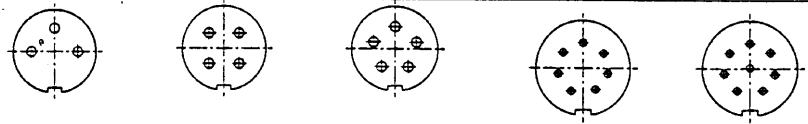
Shielded Subminiature
Circular Connectors
Cable assemblies
with overmoulded Connectors



Cable with overmoulded connector

4

Arrangement of Contacts



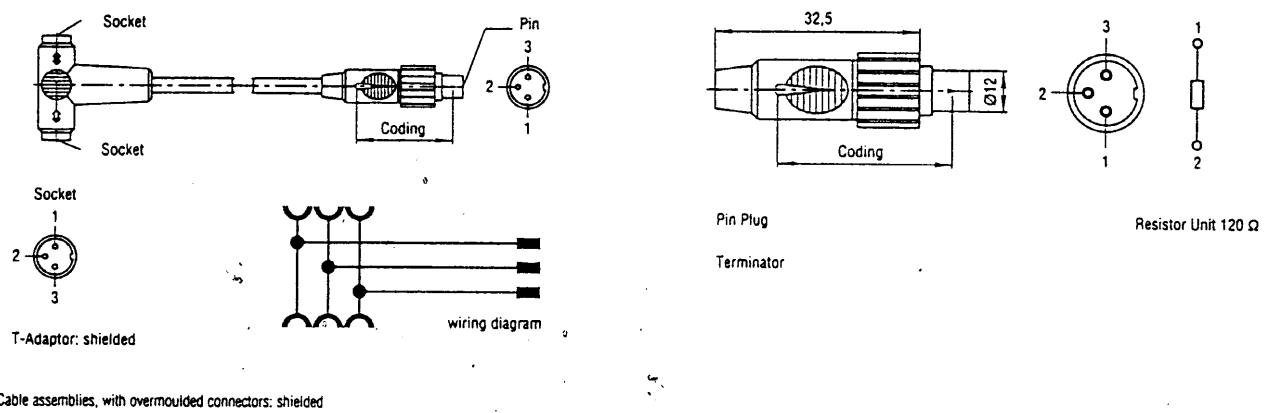
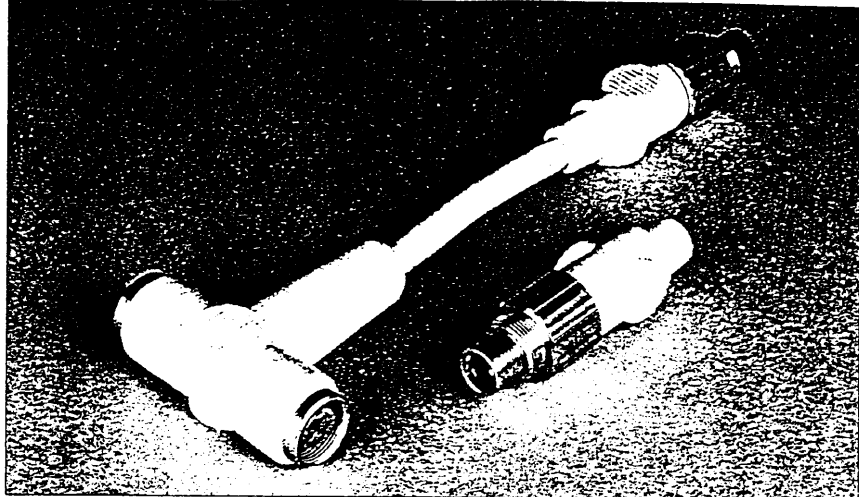
| No. of Contacts | 3 | 4 | 5 | 7 | 8 |
|-----------------------------|-----------------------|-----------------------|---------------------------|---------------------------|-----------------------|
| | Catalogue No. | | | | |
| Cable length 1 m | T01-0599-B03-A | T01-0599-B04-A | T01-0599-B05-A | T01-0599-B07-A | T01-0599-B08-A |
| Cable length 3 m | T01-0599-B03-B | T01-0599-B04-B | T01-0599-B05-B | T01-0599-B07-B | T01-0599-B08-B |
| Cable length 5 m | T01-0599-B03-C | T01-0599-B04-C | T01-0599-B05-C | T01-0599-B07-C | T01-0599-B08-C |
| Technical Dat | 3 | 4 | 5 | 7 | 8 |
| Termination | | | | | Soldering |
| Plating | | | | | Tribor 4 µm |
| Dielectric of insert | | | | | PBT UL 94-V2 |
| Shell protection class | | | | | IIP65 acc. DIN 40050 |
| Shell material | | | | | CuZn |
| Operating temperature range | | | | | -40 °C to +85 °C |
| Mating cycles | | | | | > 500 |
| Wire gage | | | max. 0.25 mm ² | | |
| Rated current per contact | | | 3 A | | |
| Test voltage | | | 500 VAC | | |
| Operating voltage | | | 60 VAC | | |
| Contact resistance | | | < 3 mΩ | | |
| | | | | max. 0.14 mm ² | |
| | | | | 1 A | |
| | | | | 500 VAC | |
| | | | | 60 VAC | |
| | | | | < 5 mΩ | |

Priority type available from stock
Minimum unit quantity: 10 pieces

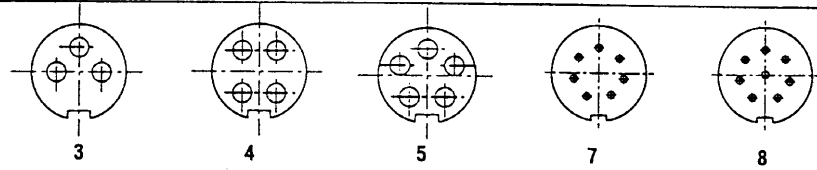
972-058

TRIAD™ 01

Shielded Subminiature
Circular Connectors
Accessories and Specials
CAN-BUS Components:
Non-interrupted Power
Supply for Network Devices



Arrangement of Contacts



| No. of Contacts | 3 | 4 | 5 | 7 | 8 |
|-----------------|---|---|---|---|---|
|-----------------|---|---|---|---|---|

| | Catalogue No. | | | | |
|--------------------------|-----------------|-----------------|-----------------|-----------------|-----------------|
| T-Adaptor | T01-05T-SSP03-T | T01-05T-SSP04-T | T01-05T-SSP05-T | T01-05T-SSP07-T | T01-05T-SSP08-T |
| Terminator Resistor Unit | T01-05R-P03-120 | - | - | - | - |

| Technical Data | 3 | 4 | 5 | 7 | 8 |
|----------------------------|---|---------------------------|---|---------------------|---------------------------|
| Termination | | | | Soldering | |
| Plating | | | | Tribor 4 μm | |
| Dielectric of insert | | | | PBT UL 94-V2 | |
| Shell protection class | | | | IP65 acc. DIN 40050 | |
| Shell material | | | | CuZn | |
| perating temperature range | | | | -40 °C to +85 °C | |
| Mating cycles | | | | > 500 | |
| Wire gage | | max. 0.25 mm ² | | | max. 0.14 mm ² |
| Rated current per contact | | 3 A | | | 1 A |
| Test voltage | | 500 VAC | | | 500 VAC |
| Operating voltage | | 60 VAC | | | 60 VAC |
| Contact resistance | | < 3 mΩ | | | < 5 mΩ |

Priority type available from stock
Minimum unit quantity: 25 pieces

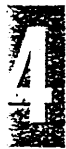
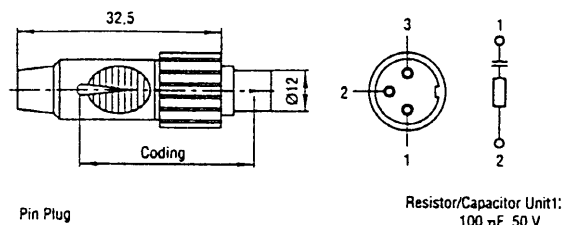
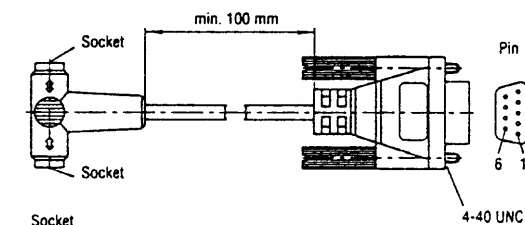
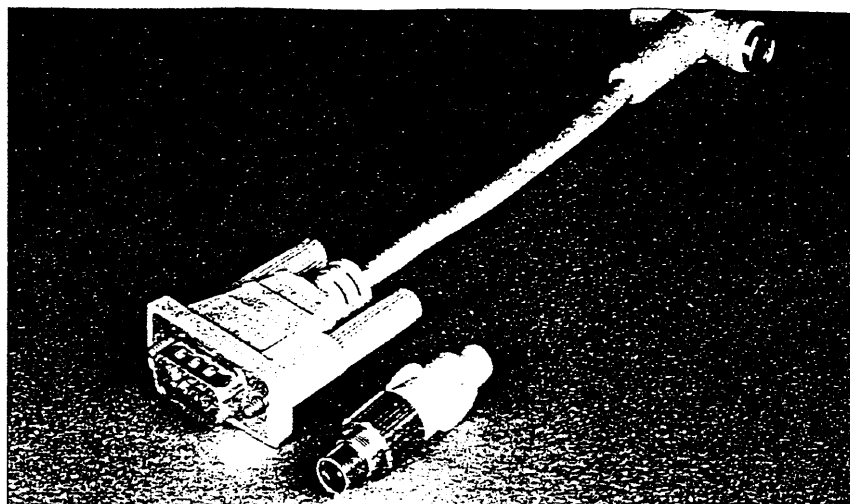
TRIAD™ 01

Shielded Subminiature

Circular Connectors

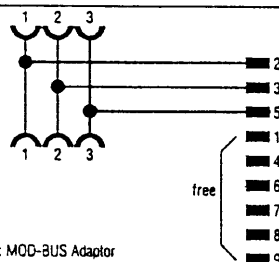
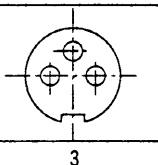
Accessories and Specials

MOD-BUS Components



MOD-BUS-Adaptor: shielded
Cable assemblies, with overmoulded connectors: shielded

Arrangement of Contacts



| | |
|------------------------------------|-----------------|
| No. of Contacts | 3 |
| | Catalogue No. |
| MOD-BUS Adaptor | T01-05T-MOD03-T |
| Terminator Resistor/Capacitor Unit | T01-05R-P03-RC |

Assignment of Contacts: MOD-BUS Adaptor

Technical Data

| | |
|-----------------------------|---------------------------|
| Termination | Soldering |
| Plating | Tribor 4 µm |
| Dielectric of insert | PBT UL 94-V2 |
| Shell protection class | IP65 acc. DIN 40050 |
| Shell material | CuZn |
| Operating temperature range | -40 °C to +85 °C |
| Mating cycles | > 500 |
| Wire gage | max. 0.25 mm ² |
| Rated current per contact | 3 A |
| Test voltage | 500 VAC |
| Operating voltage | 60 VAC |
| Contact resistance | < 3 mΩ |

TRIAD™ 01

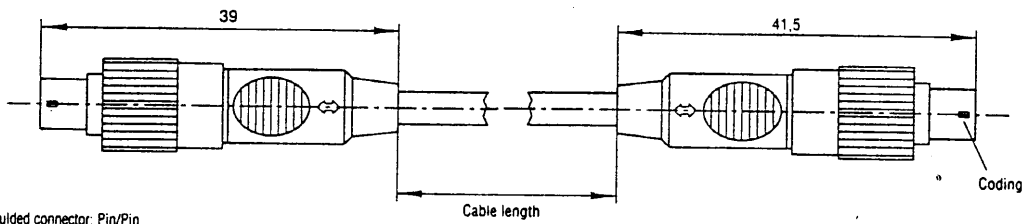
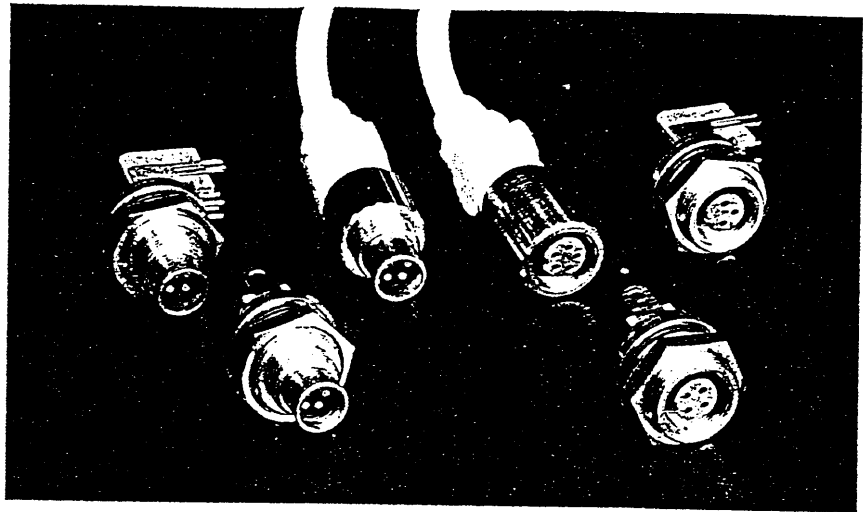
Shielded Subminiature

Circular Connectors

Accessories and Specials

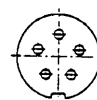
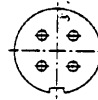
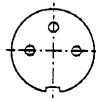
BUS-Cable Assemblies

with Overmoulded Connectors



Cable with overmoulded connector: Pin/Pin

Arrangement of Contacts



| No. of Contacts | 3 | 4 | 5 |
|--------------------|-----------------|-----------------|-----------------|
| | | Catalogue No. | |
| Cable length 0.5 m | T01-0599-PP03-F | T01-0599-PP04-F | T01-0599-PP05-F |
| Cable length 1 m | T01-0599-PP03-A | T01-0599-PP04-A | T01-0599-PP05-A |
| Cable length 2 m | T01-0599-PP03-E | T01-0599-PP04-E | T01-0599-PP05-E |
| Cable length 5 m | T01-0599-PP03-C | T01-0599-PP04-C | T01-0599-PP05-C |

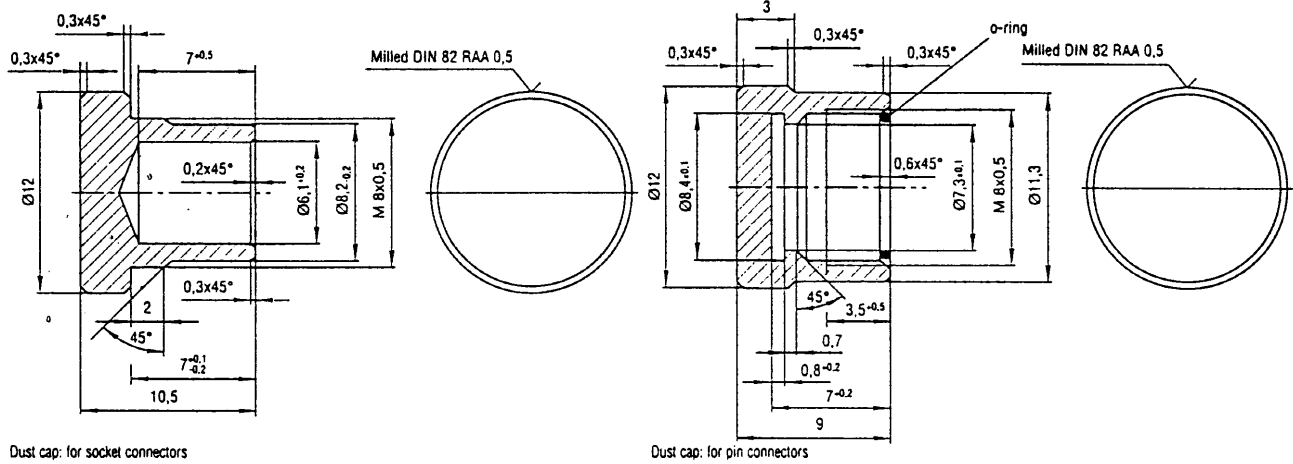
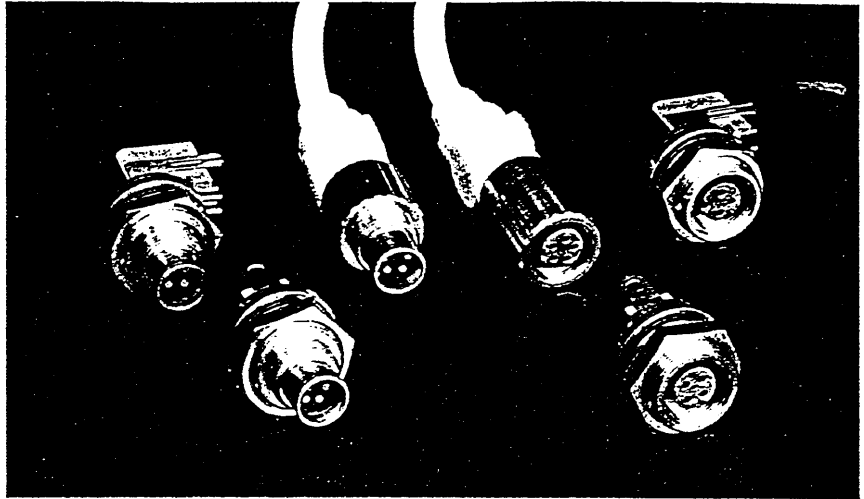
| Technical Data | 3 | 4 | 5 |
|-----------------------------|---|---------------------------|---|
| Termination | | Soldering | |
| Plating | | Tribor 4 µm | |
| Dielectric of insert | | PBT UL 94-V2 | |
| Shell protection class | | IP65 acc. DIN 40050 | |
| Shell material | | CuZn | |
| Operating temperature range | | -40 °C to +85 °C | |
| Mating cycles | | > 500 | |
| Wire gage | | max. 0.25 mm ² | |
| Rated current per contact | | 3 A | |
| Test voltage | | 500 VAC | |
| Operating voltage | | 60 VAC | |
| Contact resistance | | < 3 mΩ | |

Priority type available from stock

Minimum unit quantity: 25 pieces

TRIAD™ 01

Shielded Subminiature
Circular Connectors
Accessories and Specials
Dust Caps



Dust cap: for socket connectors

Dust cap: for pin connectors

| No. of Contacts | 3 | 4 | 5 | 7 | 8 |
|-----------------------------|---|---|----------------------|---|---|
| | | | Catalogue No. | | |
| For Pin Plugs | | | T01-0500-P | | |
| For Socket Connectors | | | T01-0500-S | | |
| Technical Data | 3 | 4 | 5 | 7 | 8 |
| Shell protection class | | | IP 65 acc. DIN 40050 | | |
| Shell material | | | CuZn | | |
| Operating temperature range | | | -40 °C to +85 °C | | |

Priority type available from stock

Minimum unit quantity: 25 pieces

14

X-ON Electronics

Largest Supplier of Electrical and Electronic Components

Click to view similar products for te connectivity manufacturer:

Other Similar products are found below :

[570416-000](#) [CLTEQ-M81CE-SSRELAY-4-20V](#) [D38999/24FJ4AN](#) [358838-000](#) [4-1195131-0](#) [650069-000](#) [SMD100-2](#) [CB-1022B-78](#)
[RM707012](#) [RP410012](#) [MMS42](#) [1-640426-8](#) [2EDL4CM](#) [DTS20W19-11PD-3028-LC](#) [RM202615](#) [NC6-P104-06](#) [TXR64AB90-3616AI](#)
[MSPS103B](#) [DTS26F21-41AE](#) [DTS26F21-41PE-LC](#) [DTS26F21-11SE-3028-LC](#) [1932144-1](#) [293545-4](#) [LVR125S](#) [MS27466T25F4PB](#) [CKB-](#)
[38-78010](#) [1206SFF150F/63-2](#) [5-2027513-8](#) [D38999/20JB35HA](#) [D38999/24WJ20PA](#) [1754138-1](#) [TE1500A2R2J](#) [DTS24F25-29PC-3028-LC](#)
[164-8033-08](#) [D38999/24WG11HA](#) [D38999/24WG11HN](#) [MS27467T21F11H](#) [DJT16E21-11HA](#) [1206SFH150F/24-2](#) [1-532955-3](#) [DTS24F19-](#)
[11SC-3028-LC](#) [DTS24F21-41HN-LC](#) [DTS24F21-41AN](#) [DTS24F21-41PN-LC](#) [DBAS 70-7-0 SN 090-1A SCC](#) [MS27467T21F35J](#)
[MS27467T21F11J](#) [MS27467T21F16H-LC](#) [MS27467T21F35H](#) [MS27467T21F41H-LC](#)