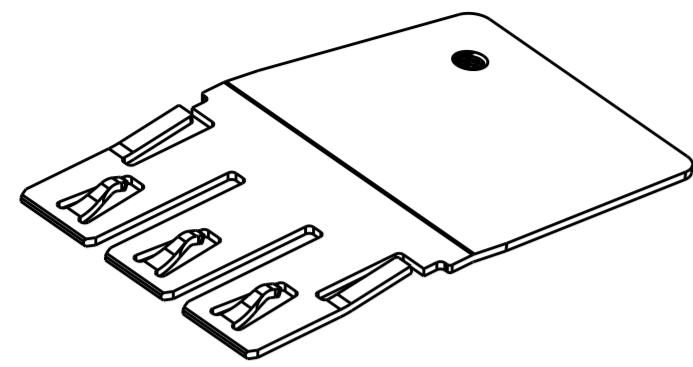
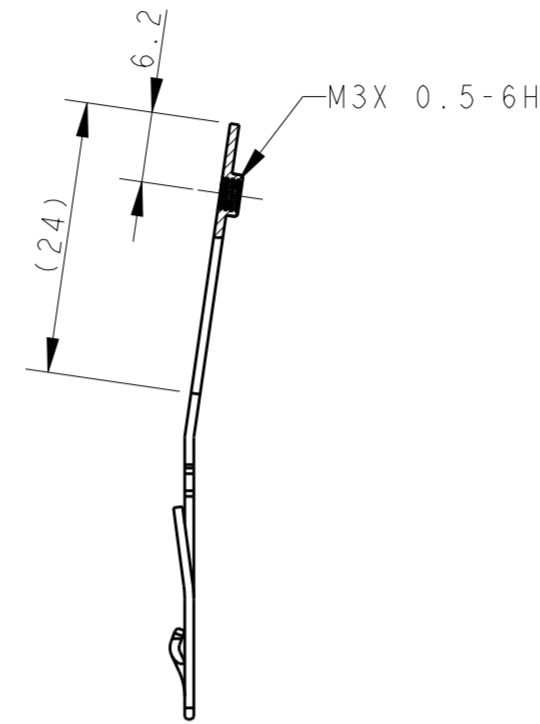
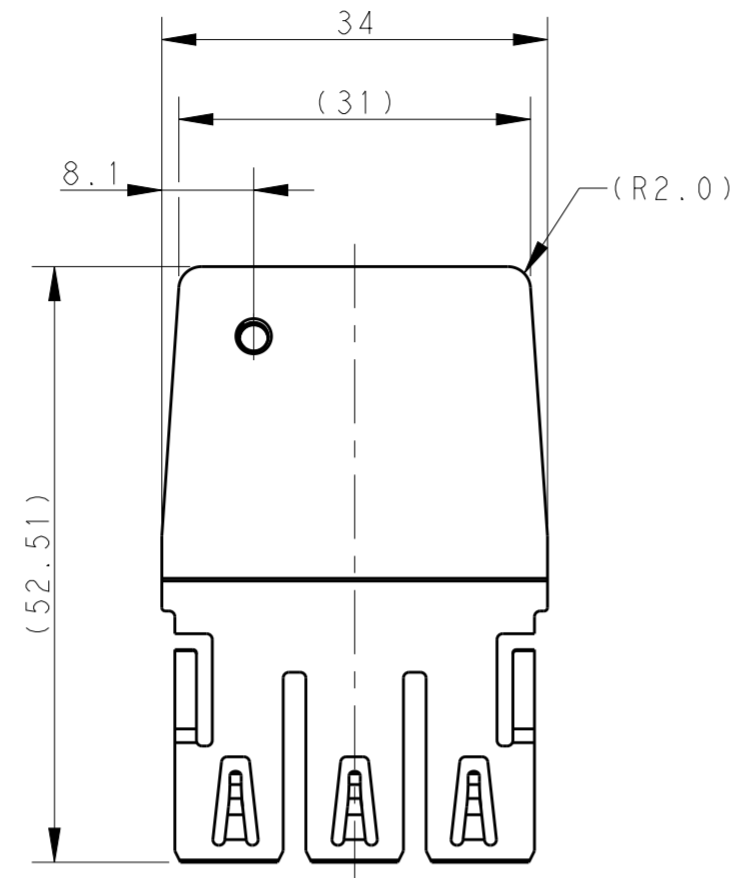


P	LTR	DESCRIPTION	DATE	DWN	APVD
A		INITIAL RELEASE	26DEC2019	DW	CW
B		ECR-20-005866	16JUN2020	DW	CW
C		ECR-20-015557	02NOV2020	DW	CW

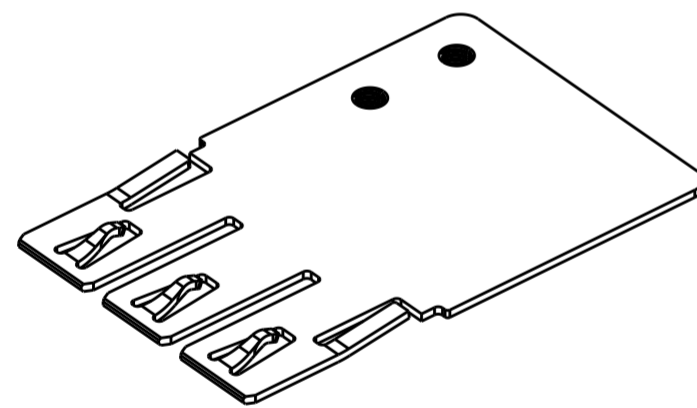


TYPE 1
类型1
T0920013670-000

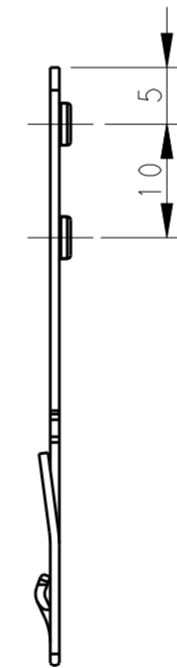
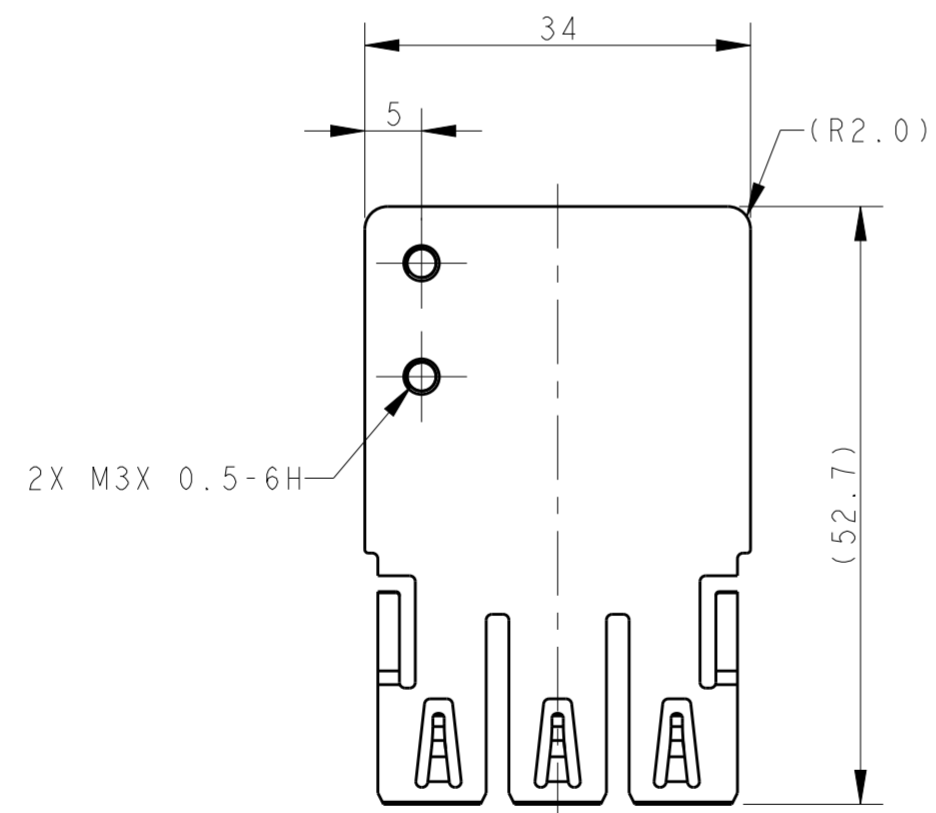


NOTES:
1. TECHNICAL CHARACTERISTICS:
MATERIAL: BRASS

注释:
1. 技术参数:
材料: 黄铜



TYPE 2
类型2
T0920013670-001



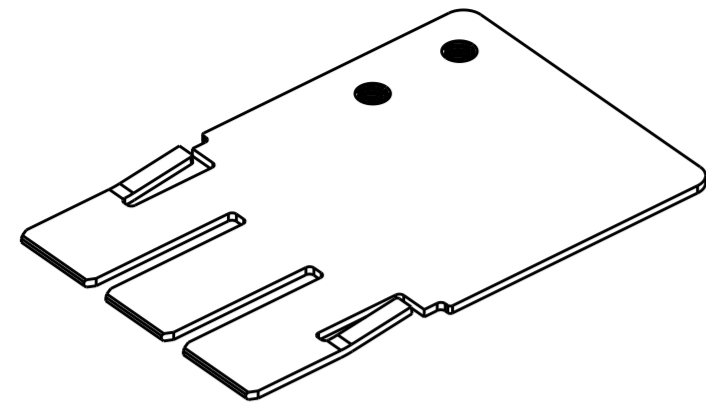
T0920013670-002	M SHIELD PLATE FOR HK-HDW3/1/1, BENDED, 2S HK-HDW3/1/1 公插屏蔽板, 折弯, 2个螺纹孔	TYPE 6 类型6
T0920023670-002	F SHIELD PLATE FOR HK-HDW3/1/1, BENDED HK-HDW3/1/1 母插屏蔽板, 折弯	TYPE 5 类型5
T0920023670-001	F SHIELD PLATE FOR HK-HDW3/1/1, STRAIGHT AND CUT HK-HDW3/1/1 母插屏蔽板, 直形带缺口	TYPE 4 类型4
T0920023670-000	F SHIELD PLATE FOR HK-HDW3/1/1, STRAIGHT HK-HDW3/1/1 母插屏蔽板, 直形	TYPE 3 类型3
T0920013670-001	M SHIELD PLATE FOR HK-HDW3/1/1, STRAIGHT HK-HDW3/1/1 公插屏蔽板, 直形	TYPE 2 类型2
T0920013670-000	M SHIELD PLATE FOR HK-HDW3/1/1, BENDED HK-HDW3/1/1 公插屏蔽板, 折弯, 1个螺纹孔	TYPE 1 类型1
PART NUMBER 零件料号		TYPE 类型

THIS DRAWING IS A CONTROLLED DOCUMENT.

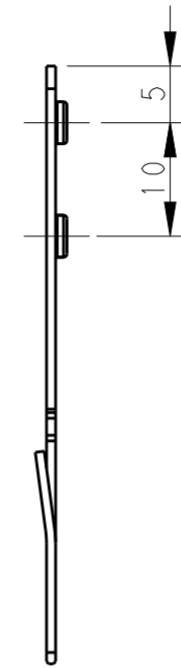
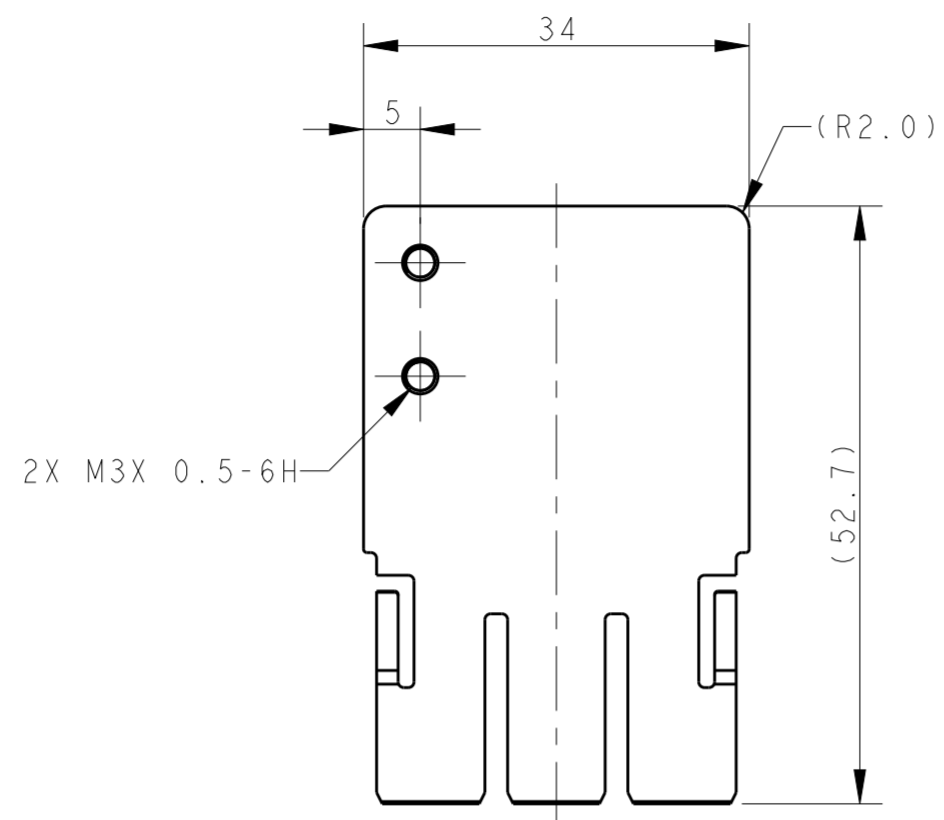
DWN	23OCT2019	TE Connectivity	NAME SHIELD PLATE FOR HK-HDW3/1/1
CHK	23OCT2019		
APVD	23OCT2019		
PRODUCT SPEC			
DIMENSIONS: mm		APPLICATION SPEC	RESTRICTED TO
TOLERANCES UNLESS OTHERWISE SPECIFIED:		WEIGHT	SIZE
0 PLC	±		A200779
1 PLC	±		CAGE CODE
2 PLC	±		G-T09200X367000X
3 PLC	±		DRAWING NO
4 PLC	±		SCALE
ANGLES	±		3:2
FINISH	-		SHEET
	-		1 OF 3
	-		REV
	-		C

CUSTOMER DRAWING

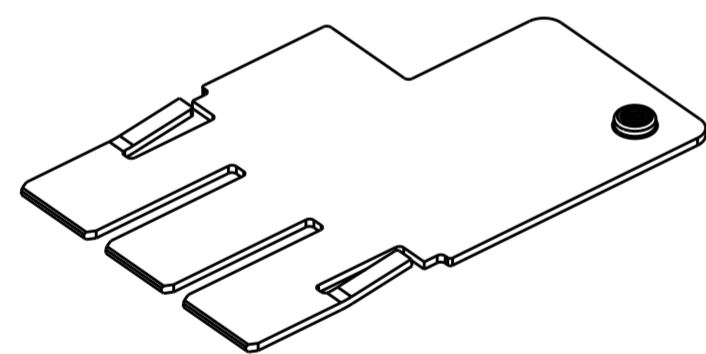
P	LTR	DESCRIPTION	DATE	DWN	APVD
-		SEE SHEET 1	-	-	-



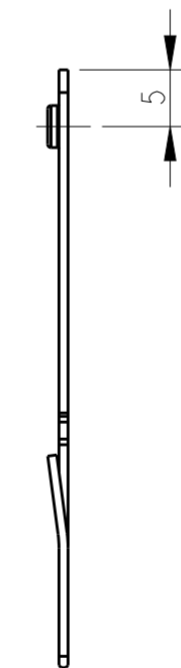
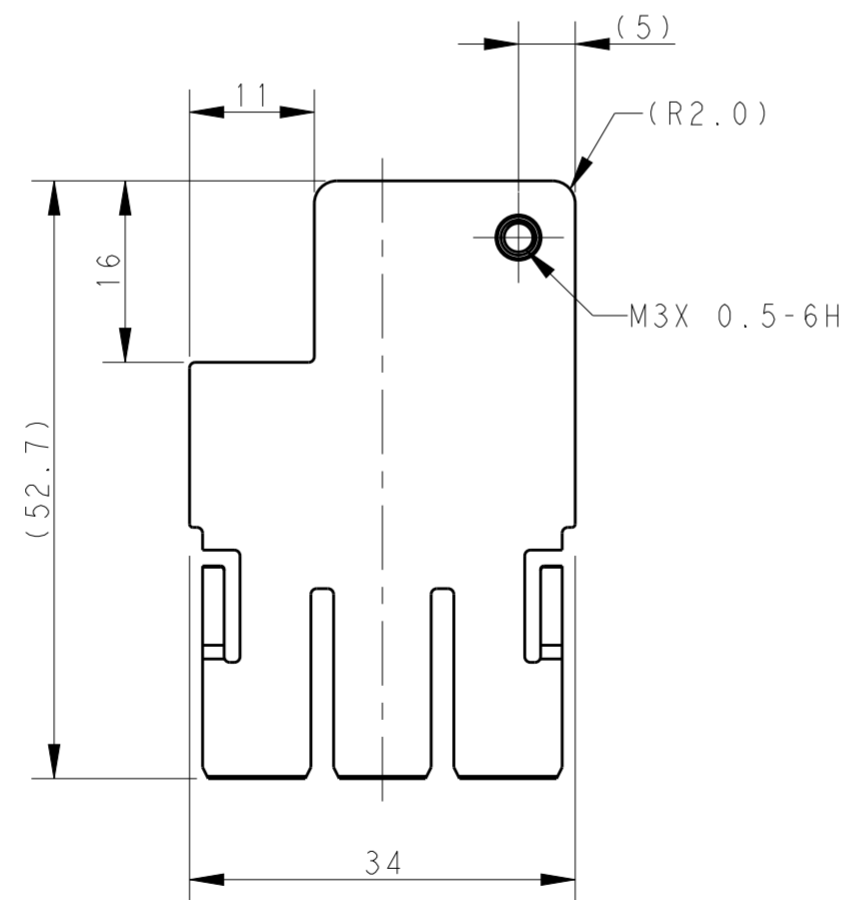
TYPE 3
类型3
T0920023670-000



NOTES:
SEE SHEET 1

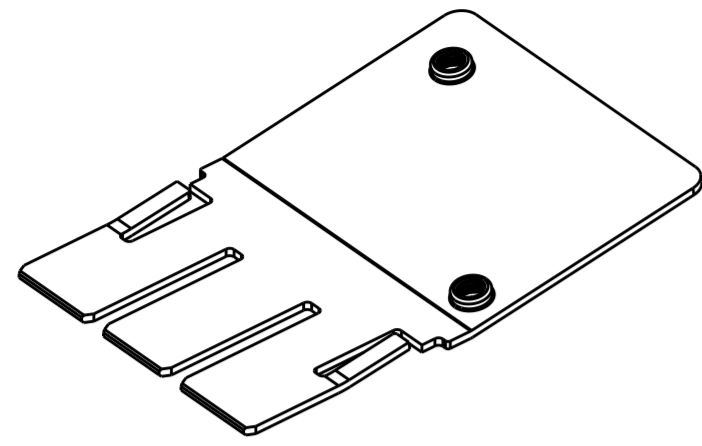


TYPE 4
类型4
T0920023670-001

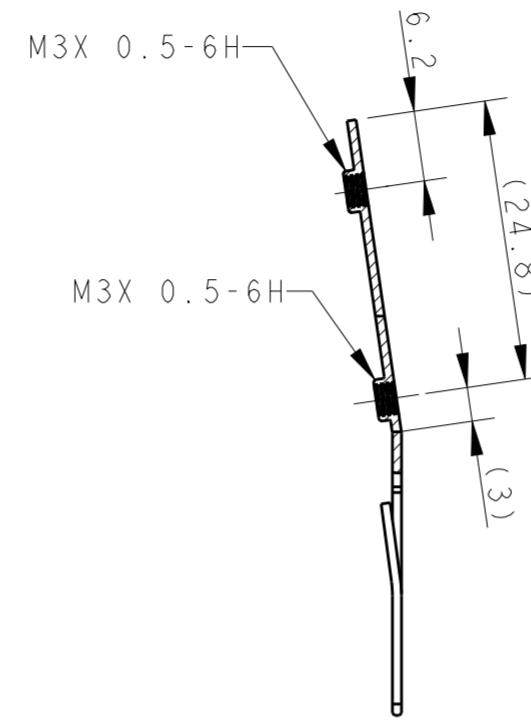
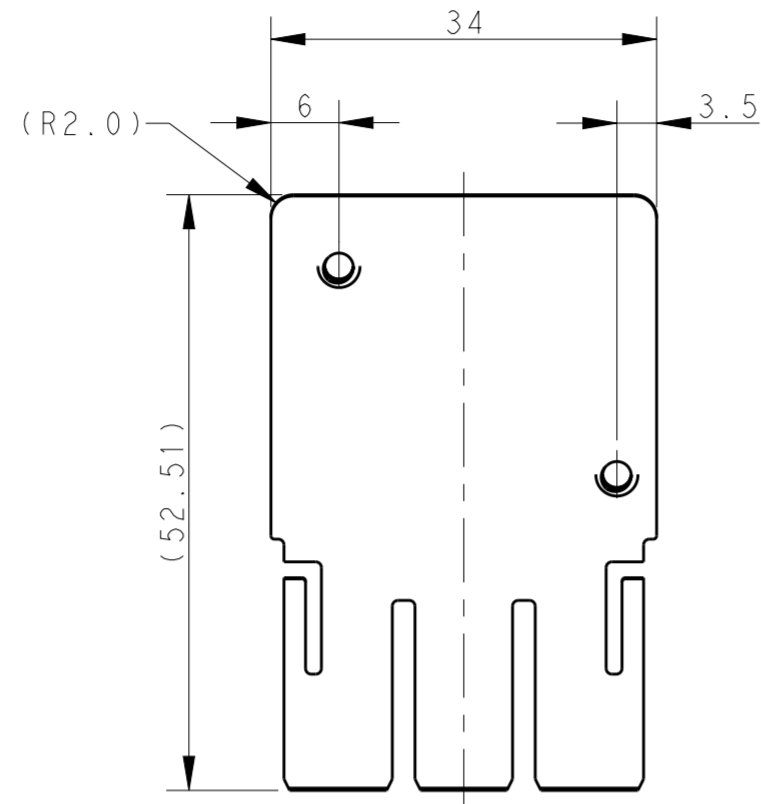


THIS DRAWING IS A CONTROLLED DOCUMENT.		DWN 23OCT2019 DAVID WANG	TE Connectivity	
DIMENSIONS: mm		CHK 23OCT2019 GINO YAO		
TOLERANCES UNLESS OTHERWISE SPECIFIED:		APVD 23OCT2019 CHRIS WANG	NAME SHIELD PLATE FOR HK-HDW3/1/1	
		PRODUCT SPEC	SIZE CAGE CODE DRAWING NO RESTRICTED TO	
MATERIAL		APPLICATION SPEC	A200779 C-T09200X367000X	
FINISH		WEIGHT	SCALE 3:2 SHEET 2 OF 3 REV C	
		CUSTOMER DRAWING		

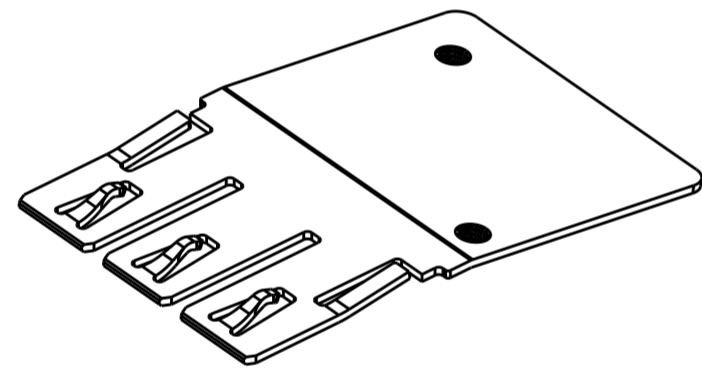
P	LTR	DESCRIPTION	DATE	DWN	APVD
-		SEE SHEET 1	-	-	-



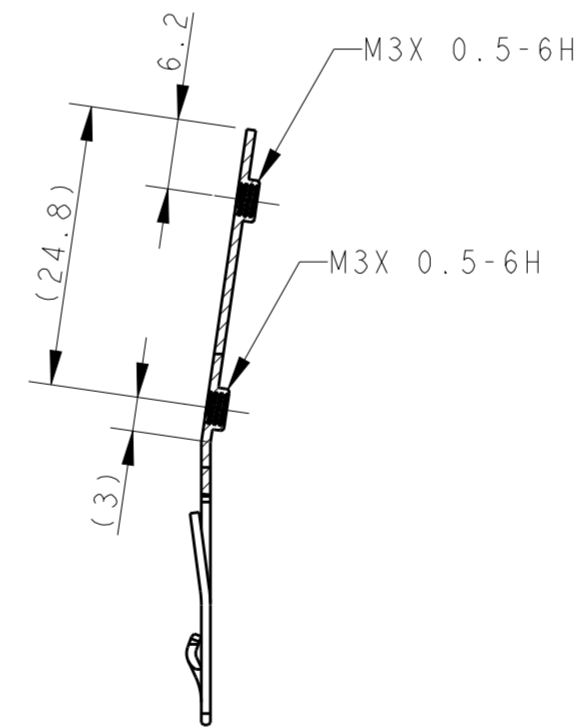
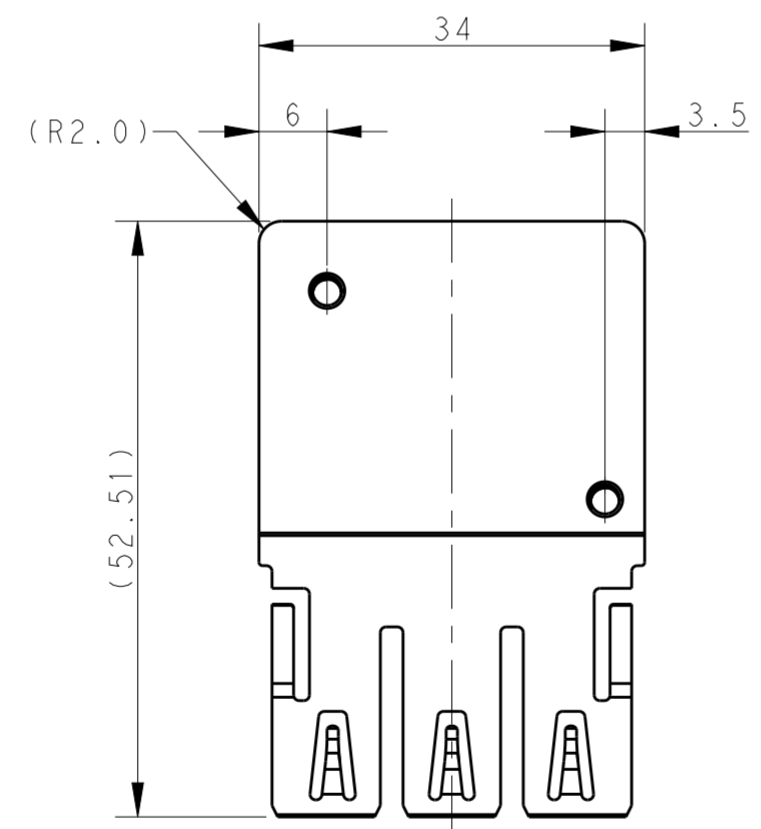
TYPE 5
类型5
T0920023670-002



NOTES:
SEE SHEET 1



TYPE 6
类型6
T0920013670-002



THIS DRAWING IS A CONTROLLED DOCUMENT.		DWN 23OCT2019 DAVID WANG	TE Connectivity	
DIMENSIONS:		CHK 23OCT2019 GINO YAO		
mm	TOLERANCES UNLESS OTHERWISE SPECIFIED:	APVD 23OCT2019 CHRIS WANG	NAME SHIELD PLATE FOR HK-HDW3/1/1	
	0 PLC ± 1 PLC ± 2 PLC ± 3 PLC ± 4 PLC ± ANGLES ± FINISH -	PRODUCT SPEC -	SIZE A200779	DRAWING NO. C-T09200X367000X
MATERIAL -		APPLICATION SPEC -	RESTRICTED TO	
		WEIGHT -	SCALE 3:2	SHEET 3 OF 3
		CUSTOMER DRAWING	REV C	

X-ON Electronics

Largest Supplier of Electrical and Electronic Components

Click to view similar products for [Rectangular MIL Spec Connectors](#) category:

Click to view products by [TE Connectivity](#) manufacturer:

Other Similar products are found below :

[891-011-15SA2-BSST](#) [CTS-S16/16](#) [65002-062](#) [CY4602-000](#) [732-8020-01](#) [77058-22-55PN](#) [81542-20](#) [86.030.0053.0](#) [1241346-1](#) [RM252-020-311-2900](#) [DMC-M 08-16 SA](#) [DMC-M 08-16 SAE](#) [1589051-4](#) [MSO34MPK1E1](#) [BACC65CAMA](#) [BACC65CP1PN](#)
[BACI10BC0816PNBA](#) [HSB-D4S03DM222X](#) [2217548-1](#) [891-006-9PS-BST1T](#) [891-009-15SA2-BRT1T](#) [27963-20T12](#) [SIM2N40NC3](#)
[SIM2S100A](#) [1604996-2](#) [SMD25PN90L-4055](#) [1900ND08S1B00A](#) [22628-10-6P-791](#) [RE04-212S](#) [M32139/03-G05SN](#) [CTD160E01F-6148](#)
[CTJ112E03B](#) [CTJ122E02D-8000](#) [CTJ-3D-12](#) [CTJ920E06N-513](#) [CTJ920E12N-513](#) [CTL-16-090](#) [CY4600-000](#) [CY4601-000](#) [38111-14-15SN](#)
[38112-14-15PN](#) [MMA23-0111R1](#) [MMD25-0071P1](#) [33516062020](#) [33526M11-08PE](#) [DMC-M99-01AN](#) [Y59113WE20PNV00300](#)
[ZPF000000000106310](#) [105979-31](#) [EN4165M01AD0G0](#)