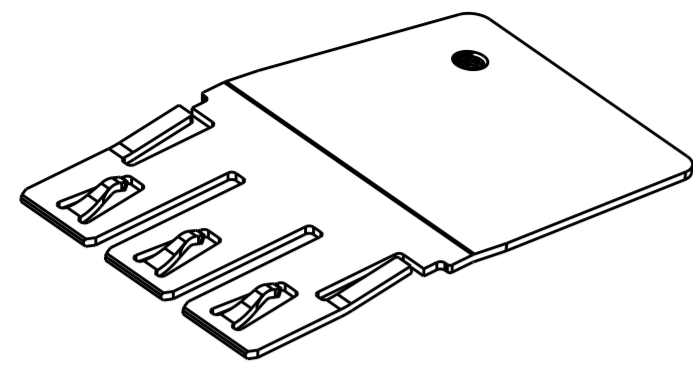
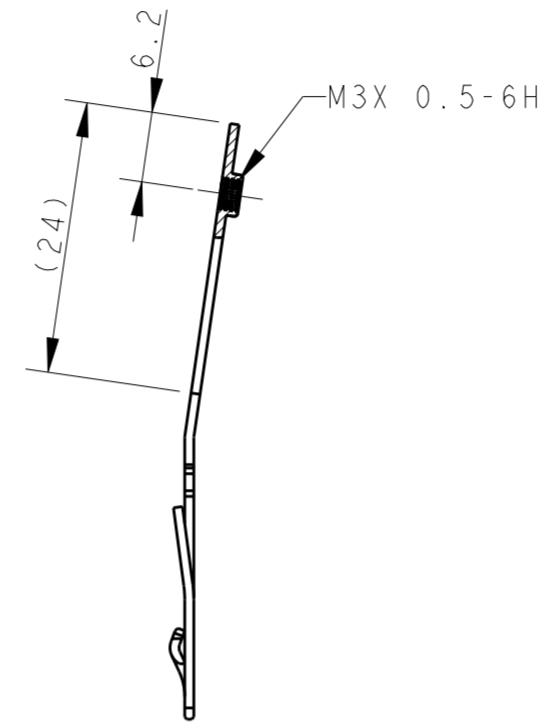
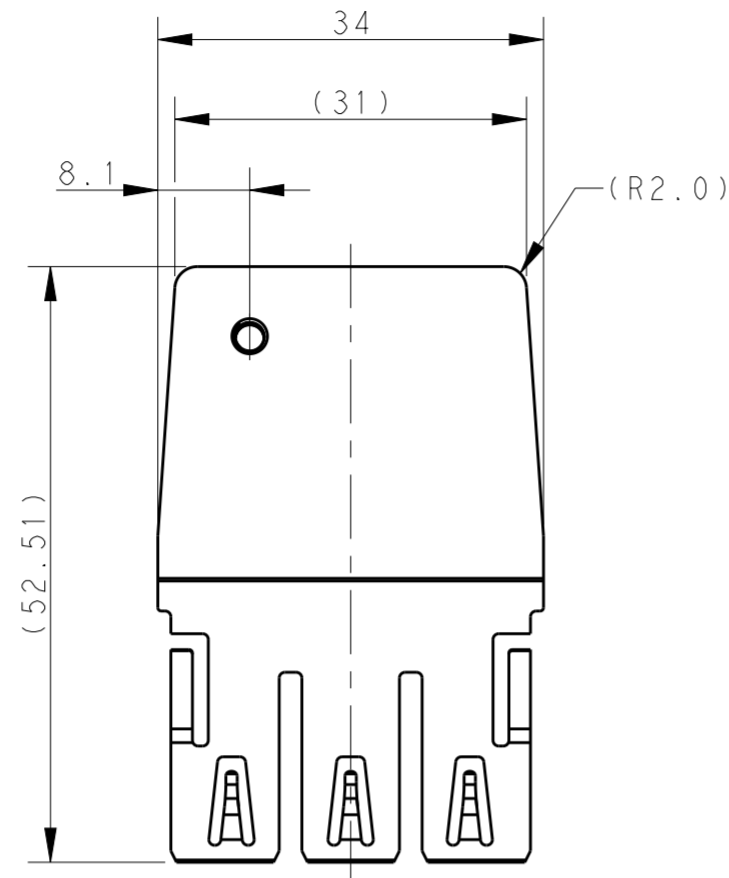


P	LTR	DESCRIPTION	DATE	DWN	APVD
A		INITIAL RELEASE	26DEC2019	DW	CW
B		ECR-20-005866	16JUN2020	DW	CW
C		ECR-20-015557	02NOV2020	DW	CW

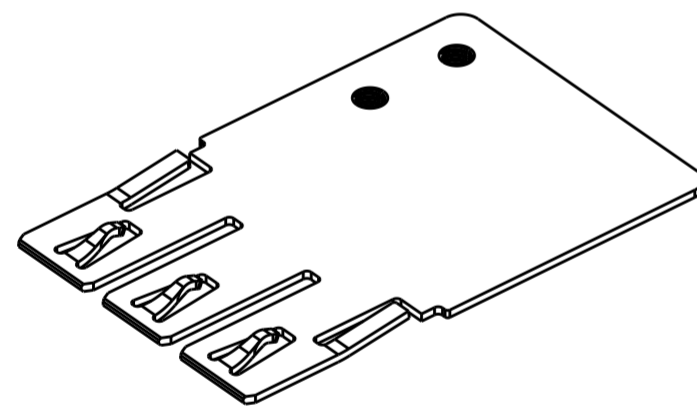


TYPE 1  
类型1  
T0920013670-000

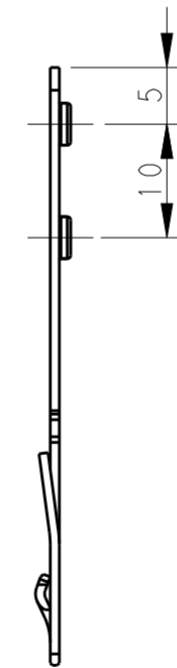
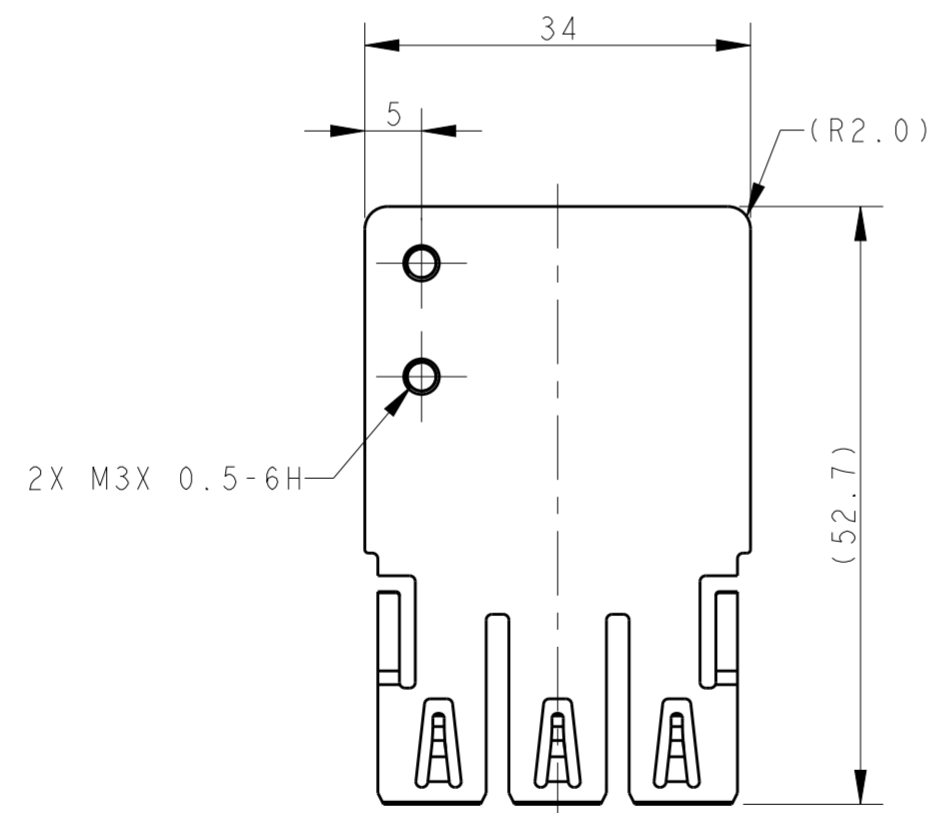


NOTES:  
1. TECHNICAL CHARACTERISTICS:  
MATERIAL: BRASS

注释:  
1. 技术参数:  
材料: 黄铜



TYPE 2  
类型2  
T0920013670-001



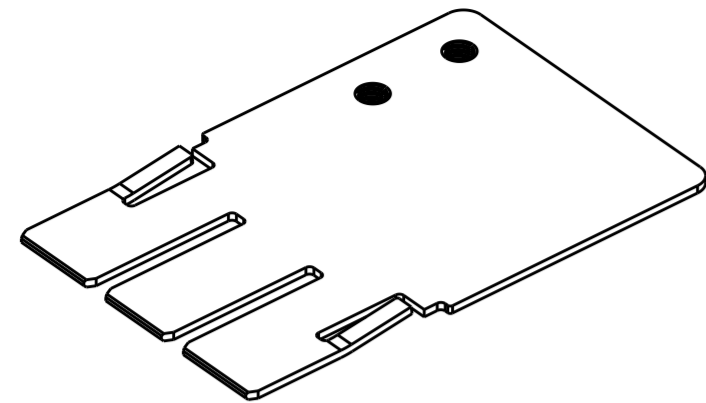
T0920013670-002	M SHIELD PLATE FOR HK-HDW3/1/1, BENDED, 2S HK-HDW3/1/1 公插屏蔽板, 折弯, 2个螺纹孔	TYPE 6 类型6
T0920023670-002	F SHIELD PLATE FOR HK-HDW3/1/1, BENDED HK-HDW3/1/1 母插屏蔽板, 折弯	TYPE 5 类型5
T0920023670-001	F SHIELD PLATE FOR HK-HDW3/1/1, STRAIGHT AND CUT HK-HDW3/1/1 母插屏蔽板, 直形带缺口	TYPE 4 类型4
T0920023670-000	F SHIELD PLATE FOR HK-HDW3/1/1, STRAIGHT HK-HDW3/1/1 母插屏蔽板, 直形	TYPE 3 类型3
T0920013670-001	M SHIELD PLATE FOR HK-HDW3/1/1, STRAIGHT HK-HDW3/1/1 公插屏蔽板, 直形	TYPE 2 类型2
T0920013670-000	M SHIELD PLATE FOR HK-HDW3/1/1, BENDED HK-HDW3/1/1 公插屏蔽板, 折弯, 1个螺纹孔	TYPE 1 类型1
PART NUMBER 零件料号	PART DESCRIPTION 零件描述	TYPE 类型

THIS DRAWING IS A CONTROLLED DOCUMENT.

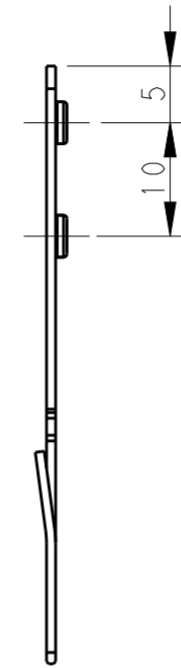
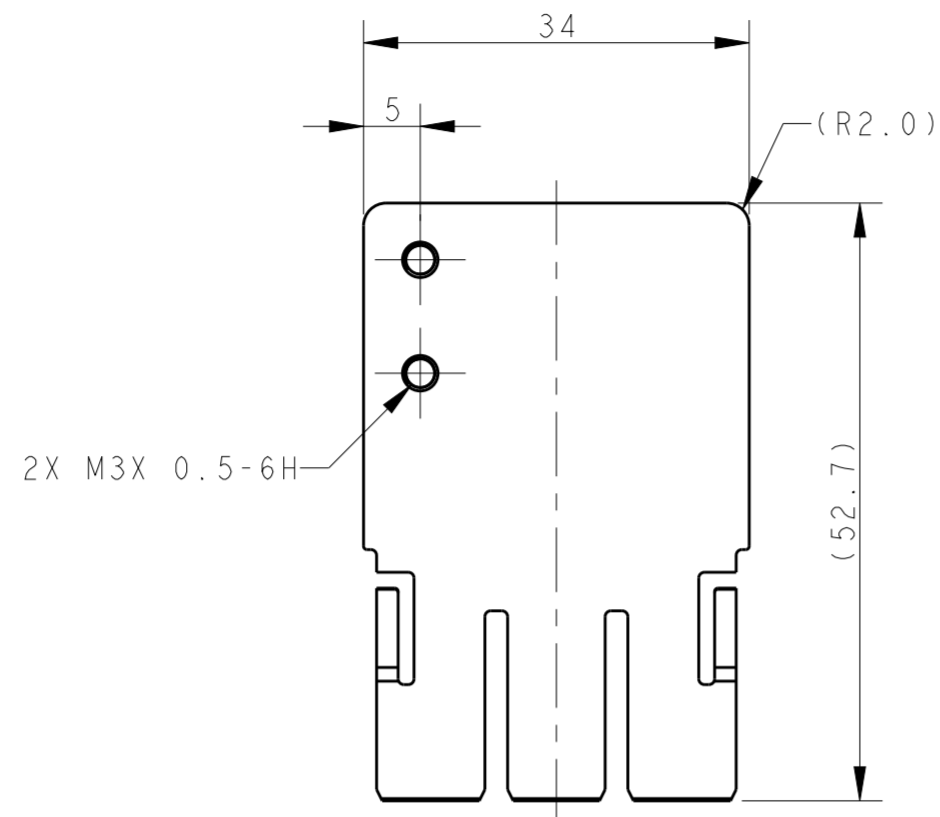
DWN DAVID WANG 23OCT2019	TE Connectivity NAME SHIELD PLATE FOR HK-HDW3/1/1 SIZE CAGE CODE DRAWING NO RESTRICTED TO A200779 C-T09200X367000X SCALE 3:2 SHEET 1 OF 3 REV C
CHK GINO YAO 23OCT2019	
APVD CHRIS WANG 23OCT2019	
PRODUCT SPEC	
MATERIAL	APPLICATION SPEC
WEIGHT	CUSTOMER DRAWING

DIMENSIONS:	TOLERANCES UNLESS OTHERWISE SPECIFIED:
mm	
0 PLC	±
1 PLC	±
2 PLC	±
3 PLC	±
4 PLC	±
ANGLES	±
FINISH	

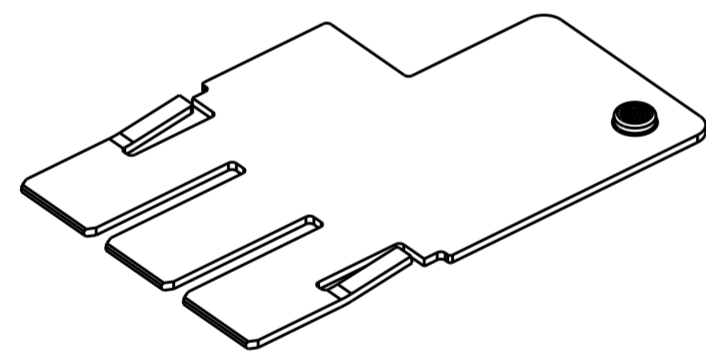
P	LTR	DESCRIPTION	DATE	DWN	APVD
-		SEE SHEET 1	-	-	-



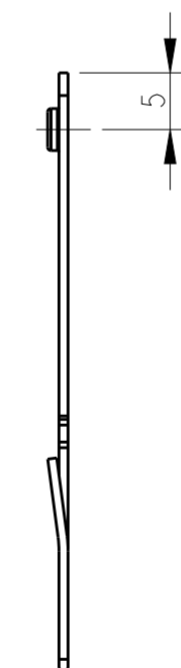
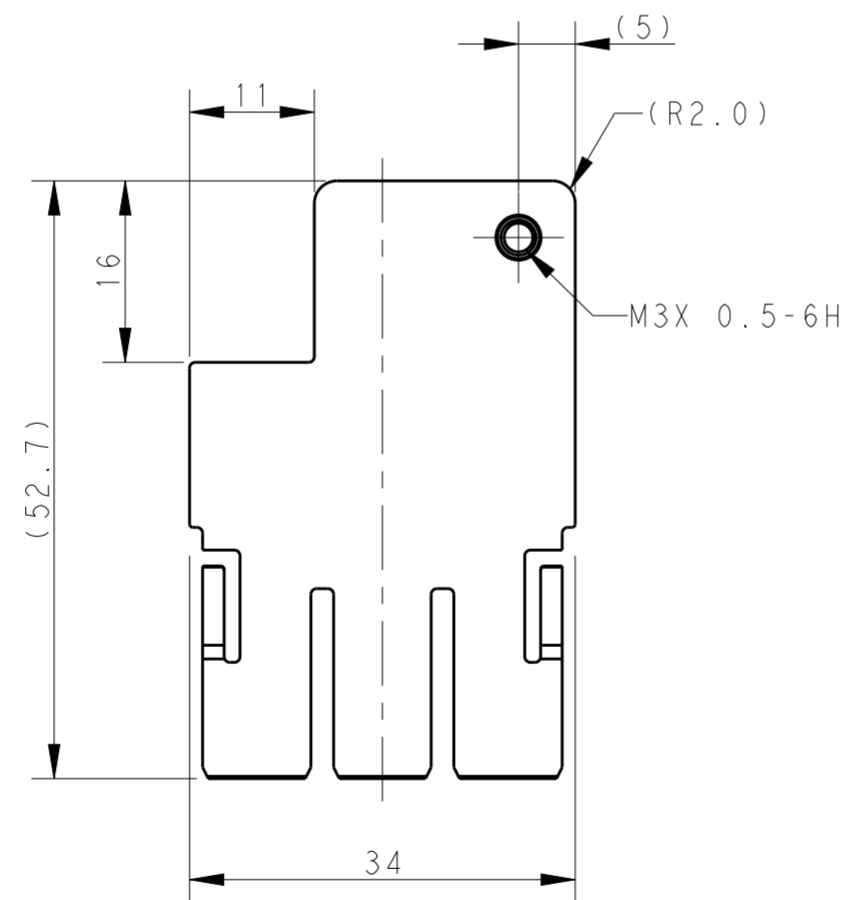
TYPE 3  
类型3  
T0920023670-000



NOTES:  
SEE SHEET 1

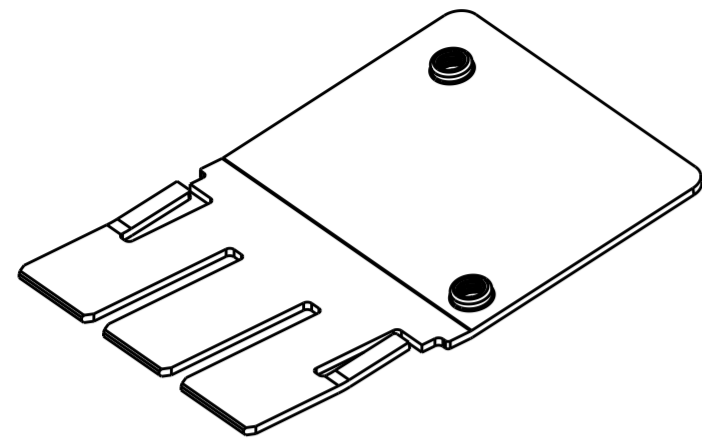


TYPE 4  
类型4  
T0920023670-001

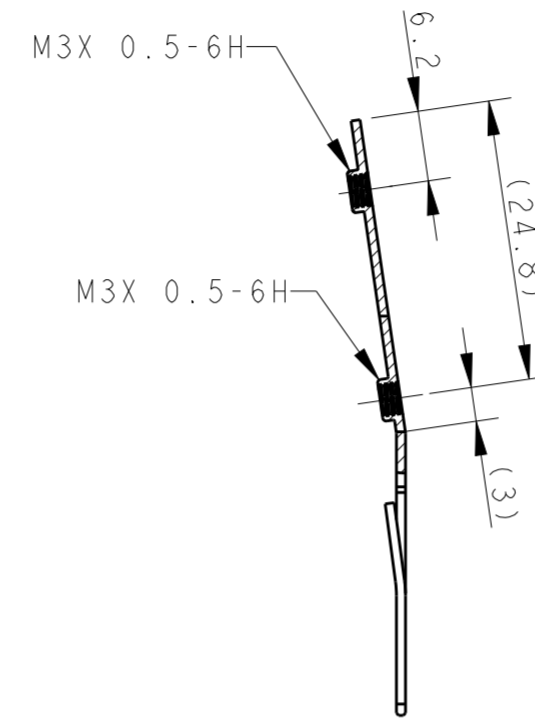
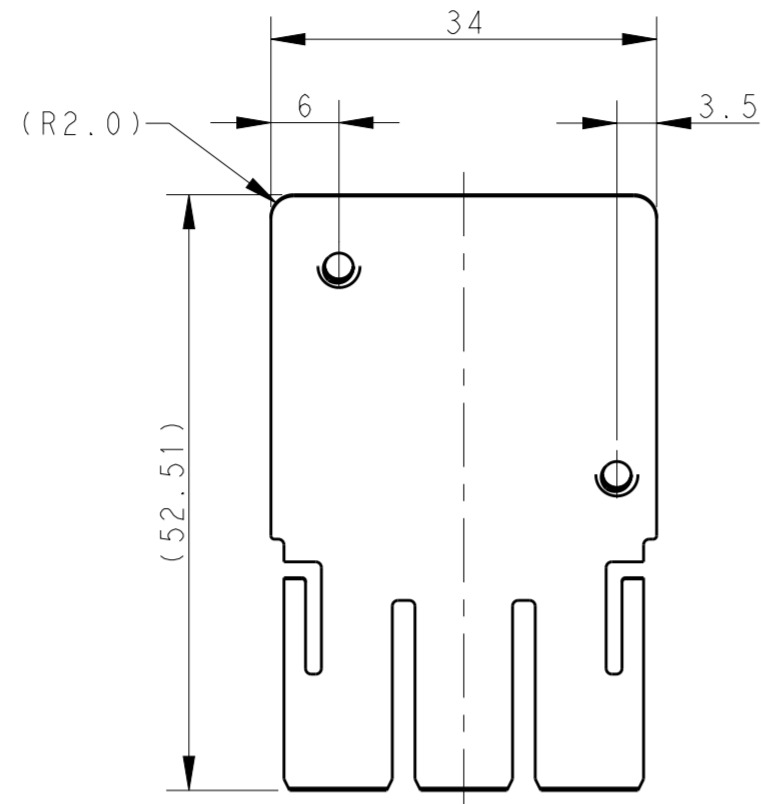


THIS DRAWING IS A CONTROLLED DOCUMENT.		DWN 23OCT2019 DAVID WANG	TE Connectivity	
DIMENSIONS: mm		CHK 23OCT2019 GINO YAO		
TOLERANCES UNLESS OTHERWISE SPECIFIED:		APVD 23OCT2019 CHRIS WANG	NAME SHIELD PLATE FOR HK-HDW3/1/1	
		PRODUCT SPEC	SIZE CAGE CODE DRAWING NO RESTRICTED TO	
MATERIAL		APPLICATION SPEC	A200779 C-T09200X367000X	
		WEIGHT	SCALE 3:2 SHEET 2 OF 3 REV C	
		CUSTOMER DRAWING		

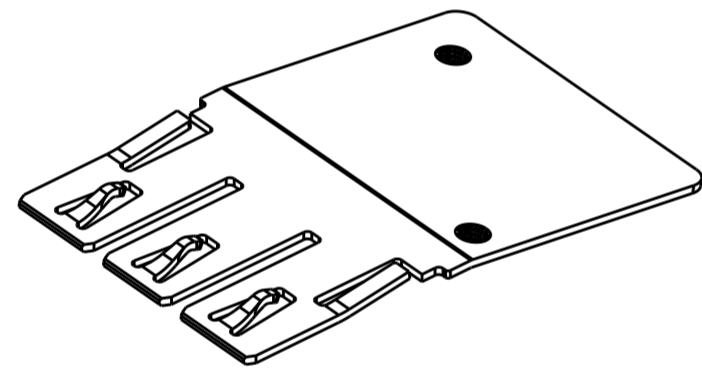
P	LTR	DESCRIPTION	DATE	DWN	APVD
-		SEE SHEET 1	-	-	-



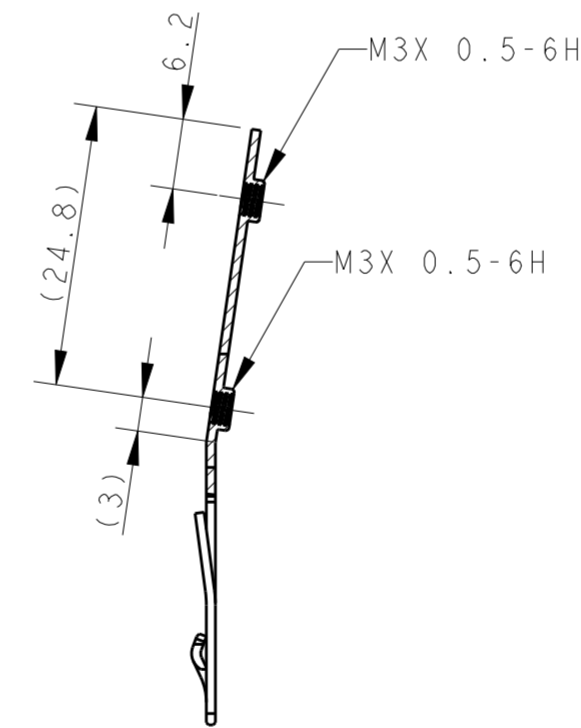
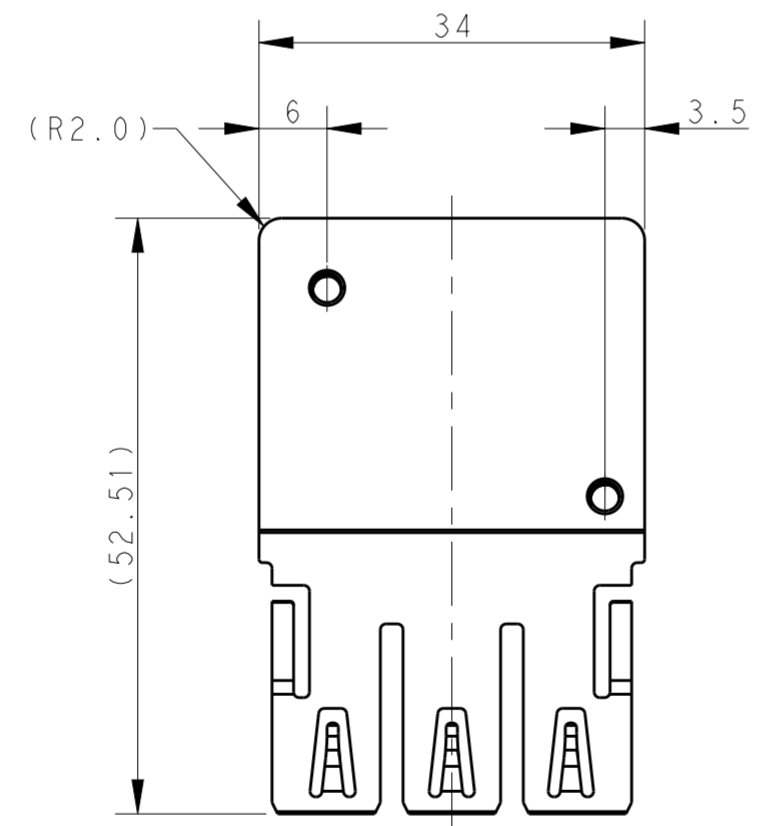
TYPE 5  
类型5  
T0920023670-002



NOTES:  
SEE SHEET 1



TYPE 6  
类型6  
T0920013670-002



THIS DRAWING IS A CONTROLLED DOCUMENT.		DWN 23OCT2019 DAVID WANG	TE Connectivity	
		CHK 23OCT2019 GINO YAO		
		APVD 23OCT2019 CHRIS WANG	NAME SHIELD PLATE FOR HK-HDW3/1/1	
DIMENSIONS:		PRODUCT SPEC		
mm		APPLICATION SPEC		
		WEIGHT		
MATERIAL		SCALE 3:2 SHEET 3 OF 3 REV C		
		CUSTOMER DRAWING		

## X-ON Electronics

Largest Supplier of Electrical and Electronic Components

*Click to view similar products for [Rectangular MIL Spec Connectors](#) category:*

*Click to view products by [TE Connectivity](#) manufacturer:*

Other Similar products are found below :

[891-011-15SA2-BSST](#) [M32139/03-B06ST](#) [65002-062](#) [M85049/28-1](#) [M85049/28-2](#) [77058-22-55PN](#) [86.030.0053.0](#) [GMCT26M0E100JC](#)  
[BACC65CAMA](#) [890-009-31SA2-BRT1T](#) [27963-20T12](#) [SIM2N40NC3](#) [SIM2S100A](#) [1604996-2](#) [SMD25PN90L-4055](#) [22628-10-6P-791](#)  
[GMCT66F0T0000](#) [CTD160E01F-6148](#) [CTJ-3D-12](#) [CTJ920E06N-513](#) [CTL-16-090](#) [CY4600-000](#) [CY4601-000](#) [38111-14-15SN](#)  
[TMN2N037PC2DM018S](#) [TMN2N051SC2DM018T](#) [MMD25-0071P1](#) [33526M11-08PC](#) [33526M11-08PE](#) [3355-5869-000](#) [DMC-M99-01AN](#)  
[ZPF000000000106310](#) [105979-31](#) [SIM2N40NC1](#) [SIM2N40NC2](#) [SIME2022PNR](#) [TMN2N009SC2DM018T](#) [ZPF000000000015295](#)  
[ZPF000000000134011](#) [ZPF000000000106308](#) [ZPF000000000102759](#) [CTG-20-08-513](#) [5634-201-03158](#) [5634-202-03758](#) [MMH43-0051J1](#)  
[MMH43-0091J1](#) [MMB41-0071K1](#) [EN4165A20-221BA](#) [EI-1470-2400](#) [507-002CH](#)