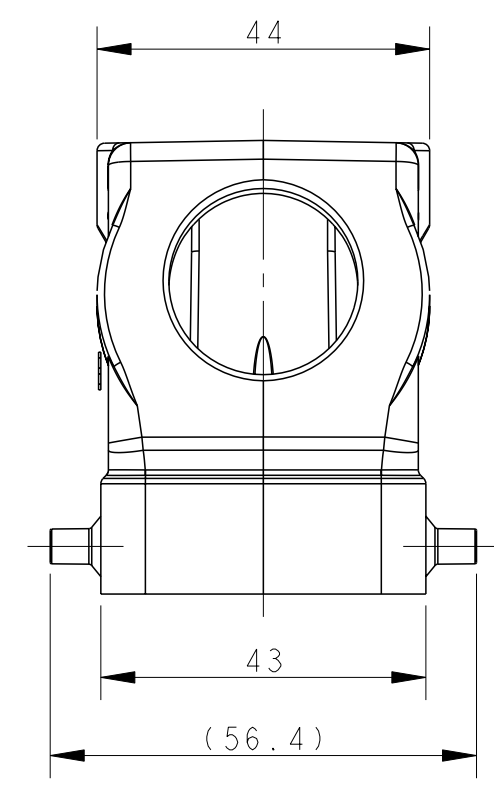
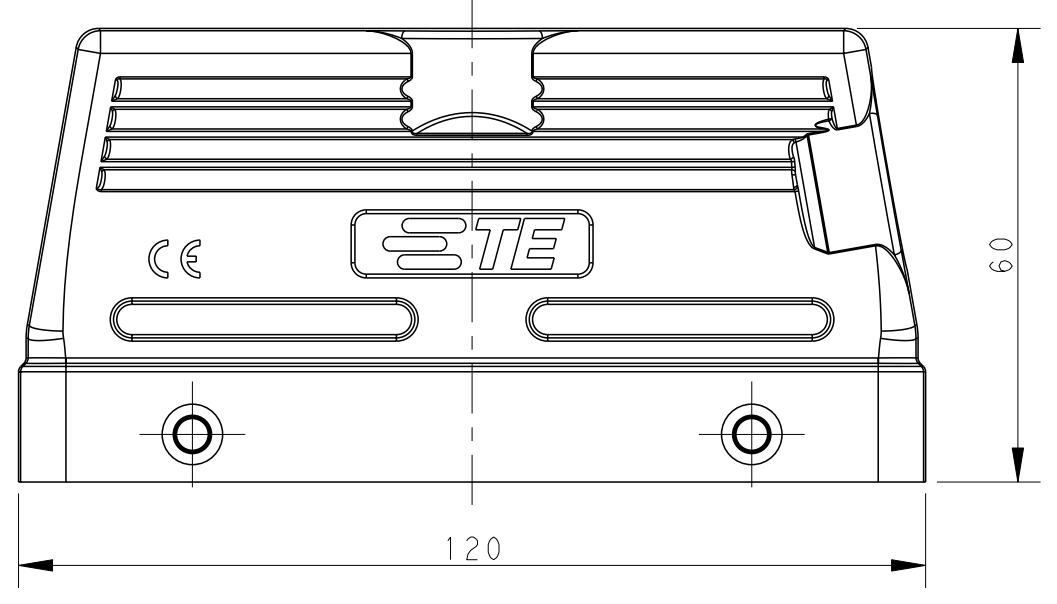


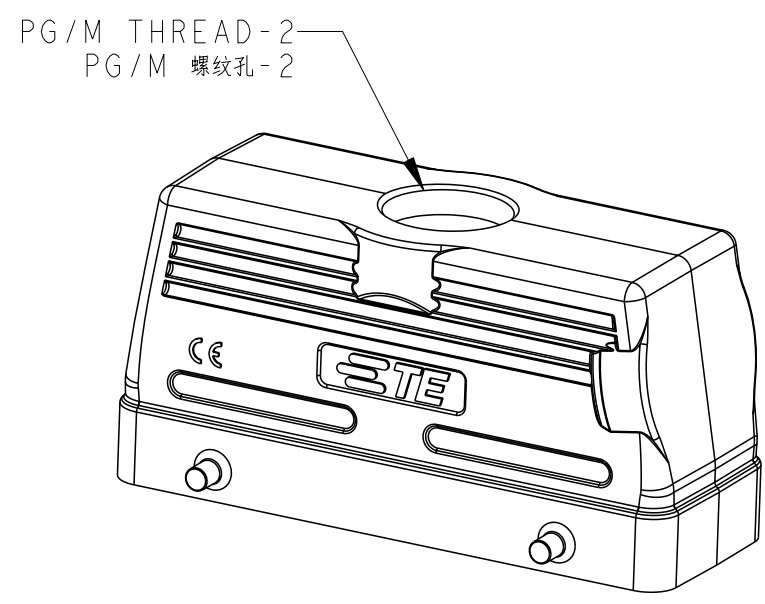
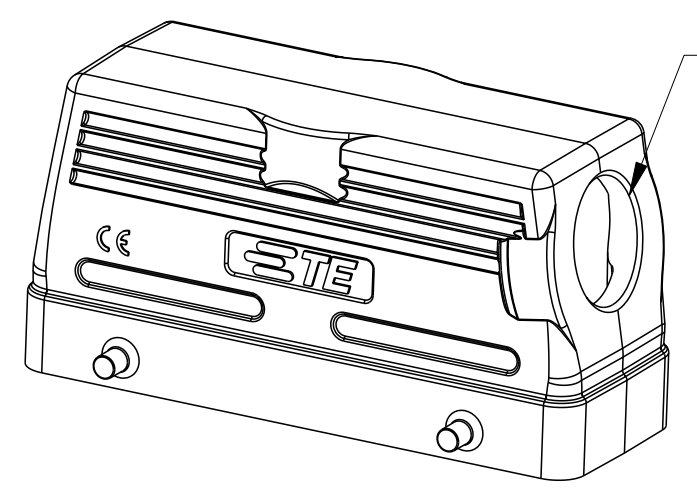
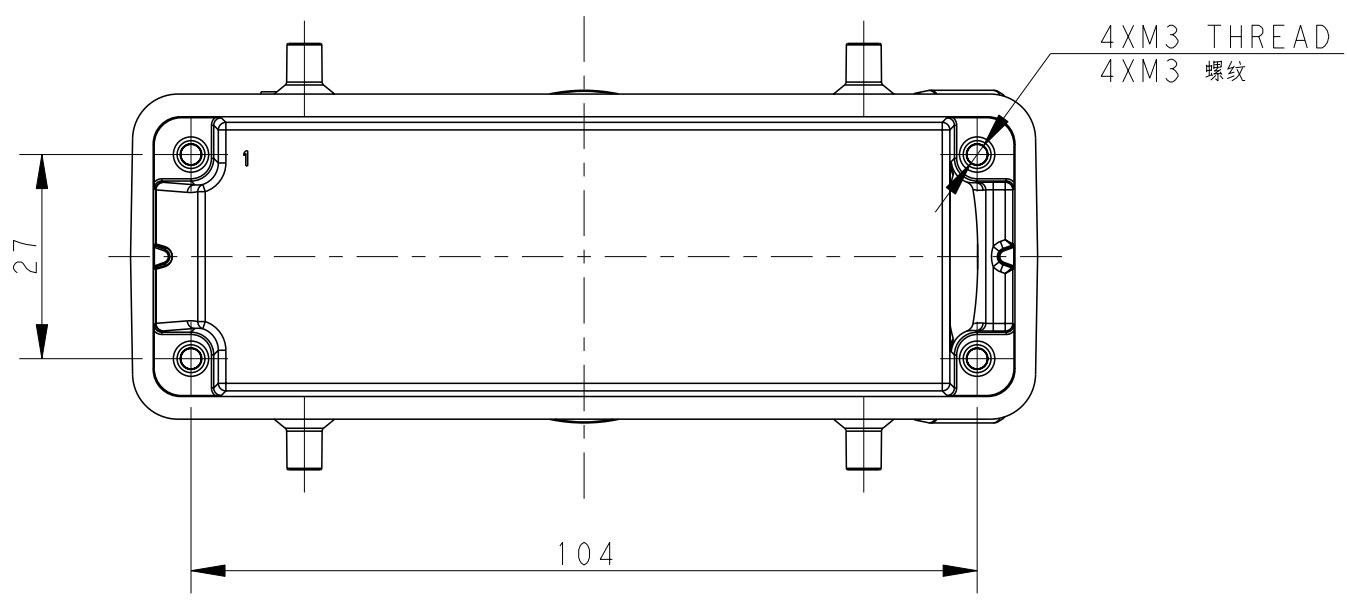
THIS DRAWING IS UNPUBLISHED. RELEASED FOR PUBLICATION 20
 © COPYRIGHT 20 BY - ALL RIGHTS RESERVED.

REVISIONS				
P	LTR	DESCRIPTION	DATE	APVD
A		INITIAL	03JUN2015	DW CW
A1		ECR-16-013642	08MAY2017	BS CW
B		ECR-20-014876	22OCT2020	WQR CW
B1		ECR-21-108894	04AUG2021	WQR CW



NOTES:
 1. TECHNICAL CHARACTERISTICS:
 BODY MATERIAL: DIE CAST ALUMINIUM ALLOY
 SURFACE TREATMENT: POWDER COATED, GREY
 DEGREE OF PROTECTION: IP65 (MATED)

注释:
 1. 技术参数:
 主体材料: 铝合金
 表面处理: 灰色粉末喷涂
 防护等级: IP65(配合)



TYPE 1: SIDE ENTRY
 类型1: 侧出

TYPE 2: TOP ENTRY,
 OTHER SPEC. REFER TO TYPE1
 类型2: 顶出, 其他规格参照类型1

T1210240116-000	H24B-TS-PG16	H24B HOOD, SIDE ENTRY PG16, 4 EAR, POWDER COATED, GREY H24B上壳, 侧出PG16, 4耳, 灰色粉末喷涂	PG16	-	TYPE 1 类型 1
T1210240120-000	H24B-TS-M20	H24B HOOD, SIDE ENTRY M20, 4 EAR, POWDER COATED, GREY H24B上壳, 侧出M20, 4耳, 灰色粉末喷涂	M20	-	
T1210240121-000	H24B-TS-PG21	H24B HOOD, SIDE ENTRY PG21, 4 EAR, POWDER COATED, GREY H24B上壳, 侧出PG21, 4耳, 灰色粉末喷涂	PG21	-	
T1210240125-000	H24B-TS-M25	H24B HOOD, SIDE ENTRY M25, 4 EAR, POWDER COATED, GREY H24B上壳, 侧出M25, 4耳, 灰色粉末喷涂	M25	-	
T1210240132-000	H24B-TS-M32	H24B HOOD, SIDE ENTRY M32, 4 EAR, POWDER COATED, GREY H24B上壳, 侧出M32, 4耳, 灰色粉末喷涂	M32	-	TYPE 2 类型 2
T1220240116-000	H24B-TG-PG16	H24B HOOD, TOP ENTRY PG16, 4 EAR, POWDER COATED, GREY H24B上壳, 顶出PG16, 4耳, 灰色粉末喷涂	-	PG16	
T1220240121-000	H24B-TG-PG21	H24B HOOD, TOP ENTRY PG21, 4 EAR, POWDER COATED, GREY H24B上壳, 顶出PG21, 4耳, 灰色粉末喷涂	-	PG21	
T1220240125-000	H24B-TG-M25	H24B HOOD, TOP ENTRY M25, 4 EAR, POWDER COATED, GREY H24B上壳, 顶出M25, 4耳, 灰色粉末喷涂	-	M25	
T1220240129-000	H24B-TG-PG29	H24B HOOD, TOP ENTRY PG29, 4 EAR, POWDER COATED, GREY H24B上壳, 顶出PG29, 4耳, 灰色粉末喷涂	-	PG29	
T1220240132-000	H24B-TG-M32	H24B HOOD, TOP ENTRY M32, 4 EAR, POWDER COATED, GREY H24B上壳, 顶出M32, 4耳, 灰色粉末喷涂	-	M32	
T1220240140-000	H24B-TG-M40	H24B HOOD, TOP ENTRY M40, 4 EAR, POWDER COATED, GREY H24B上壳, 顶出M40, 4耳, 灰色粉末喷涂	-	M40	
T1220240134-000	H24B-TG-G3/4	H24B HOOD, TOP ENTRY G3/4, 4 EAR, POWDER COATED, GREY H24B上壳, 顶出G3/4, 4耳, 灰色粉末喷涂	-	G3/4	
PART NUMBER 料号	PART DESCRIPTION 描述		PG/M THREAD-1 PG/M 螺纹孔-1	PG/M THREAD-2 PG/M 螺纹孔-2	TYPE 类型

THIS DRAWING IS A CONTROLLED DOCUMENT.		DWN David Wang 03JUN2015	TE Connectivity	
DIMENSIONS: mm		CHK Chris Wang 03JUN2015		
TOLERANCES UNLESS OTHERWISE SPECIFIED:		APVD Xiang Xu 03JUN2015	NAME H24B-TS/TG-M/PG	
		PRODUCT SPEC 108-137013	SIZE CAGE CODE DRAWING NO RESTRICTED TO	
MATERIAL -		APPLICATION SPEC 114-137013	A200779 C-T12X02401XX000	
FINISH -		WEIGHT -	SCALE 1:1 SHEET 1 OF 1 REV B1	
		Customer Drawing		

Printed on 5 Aug 2021 10:31 (China Standard Time) from TE343646

X-ON Electronics

Largest Supplier of Electrical and Electronic Components

Click to view similar products for [Heavy Duty Power Connectors](#) category:

Click to view products by [TE Connectivity](#) manufacturer:

Other Similar products are found below :

[647757-1](#) [6643411-1](#) [6646058-2](#) [6646137-1](#) [6646138-1](#) [6646479-1](#) [6646608-1](#) [6646786-1](#) [6646940-1](#) [6651091-1](#) [6651525-1](#) [6651529-1](#)
[6651788-1](#) [696475-1](#) [702-32-01109](#) [703-25-02205](#) [73000005059](#) [73000005642](#) [73080255059](#) [73080965046](#) [765-15-0080A](#) [765-16-0080B](#)
[765-18-0080D](#) [829992-1](#) [902-77-02113](#) [PS00/A0620/6300](#) [PS25/A0420/63](#) [129-1J](#) [1409400](#) [AN0024023](#) [E6374G1](#) [e6389g2](#) [157-43GW8](#)
[MS3117-14AC](#) [1643543-1](#) [1650540-1](#) [1651811-2](#) [1766260-1](#) [1766282-1](#) [1766966-1](#) [1791340000](#) [NLDFT-3-BL-L-S120-M40A](#) [NLDFT-N-](#)
[W-L-C240-M40B](#) [NLS-2-R-C240-M40B](#) [NLS-N-W-C240-M40B](#) [NPS-3-BL-T6](#) [1986615-1](#) [2-1589900-8](#) [2199314-1](#) [KA8102](#)