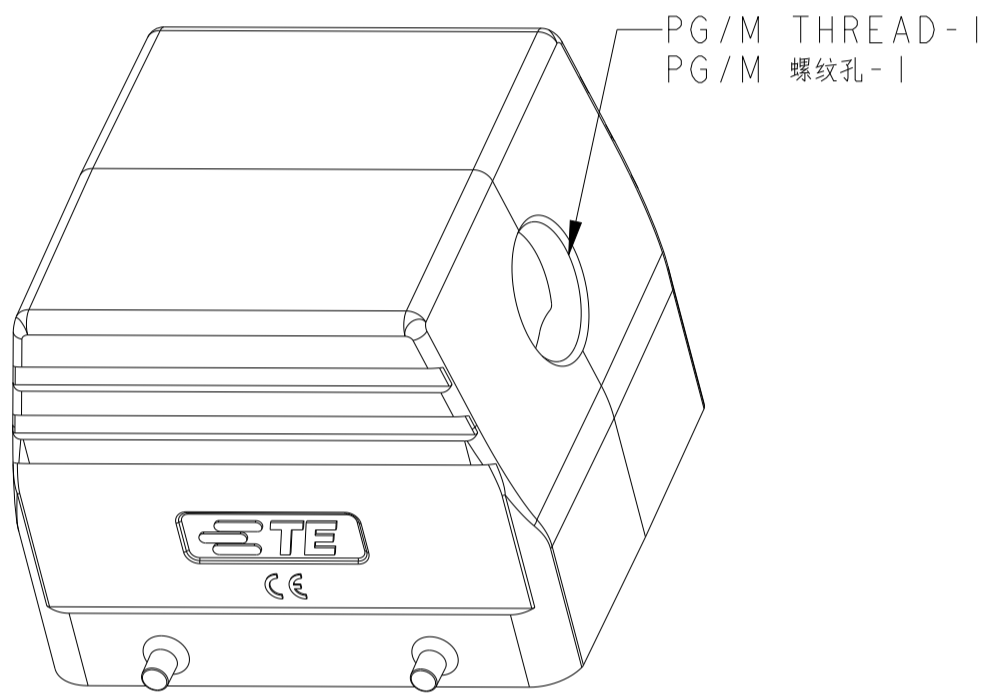
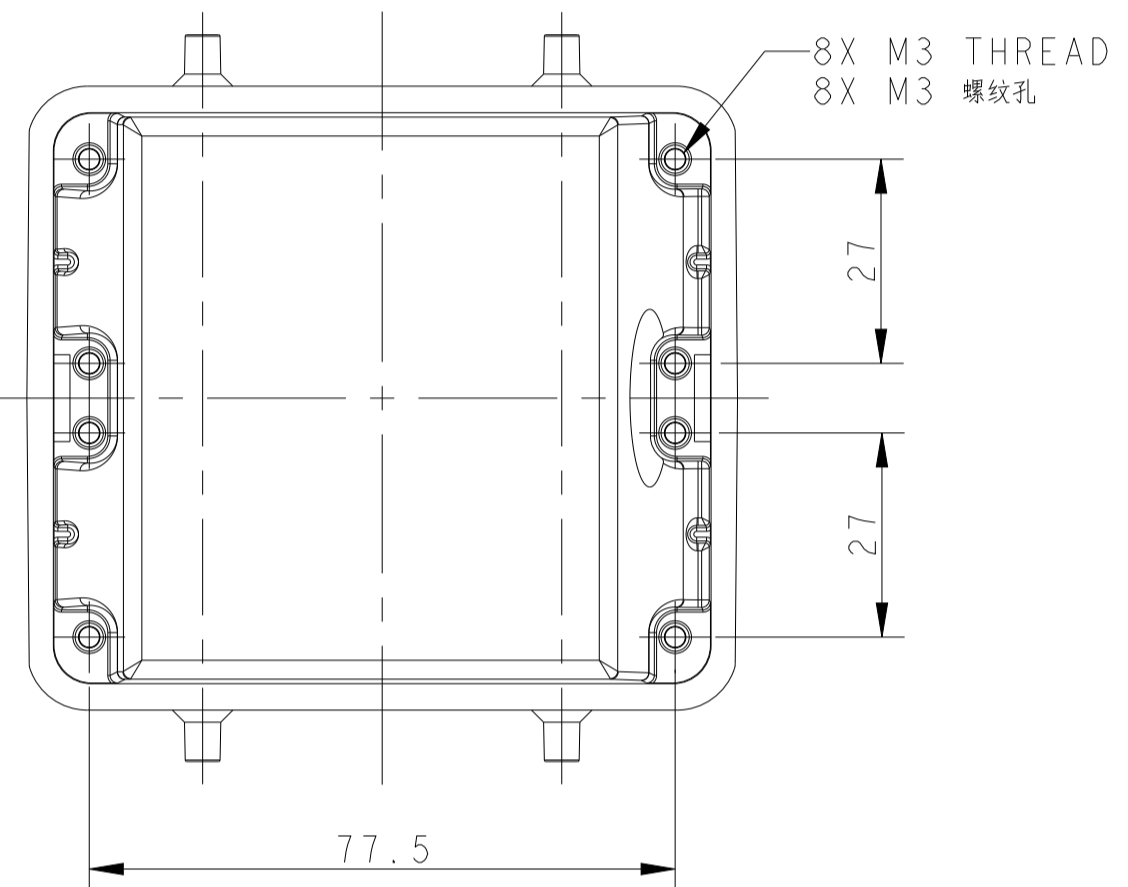
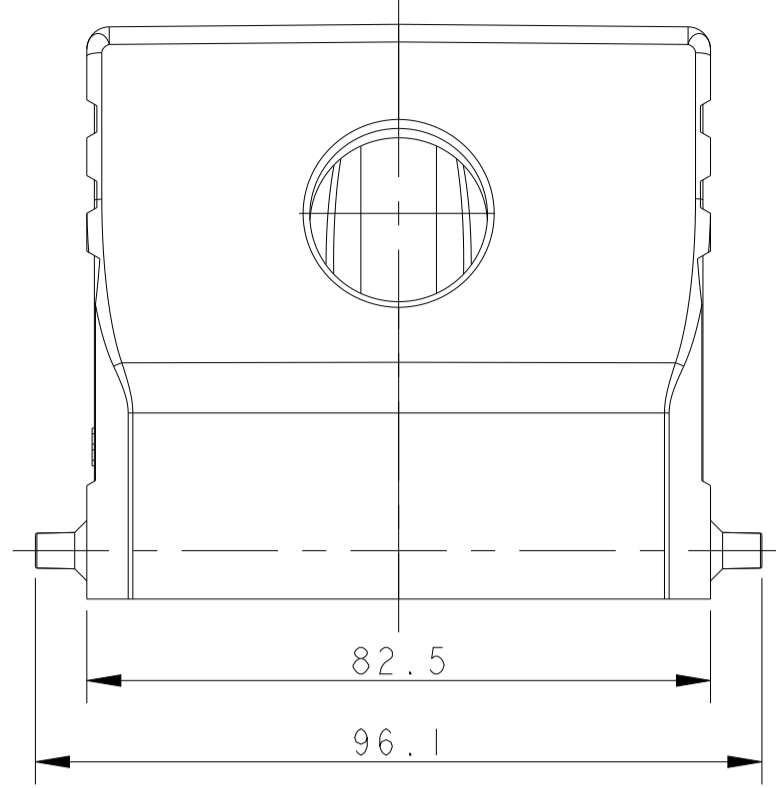
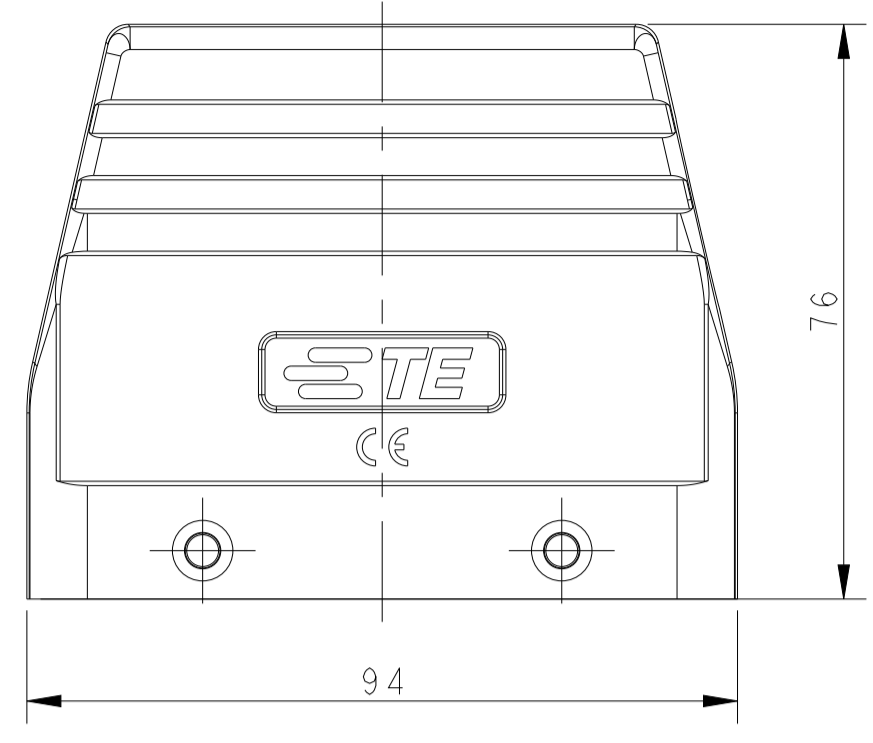
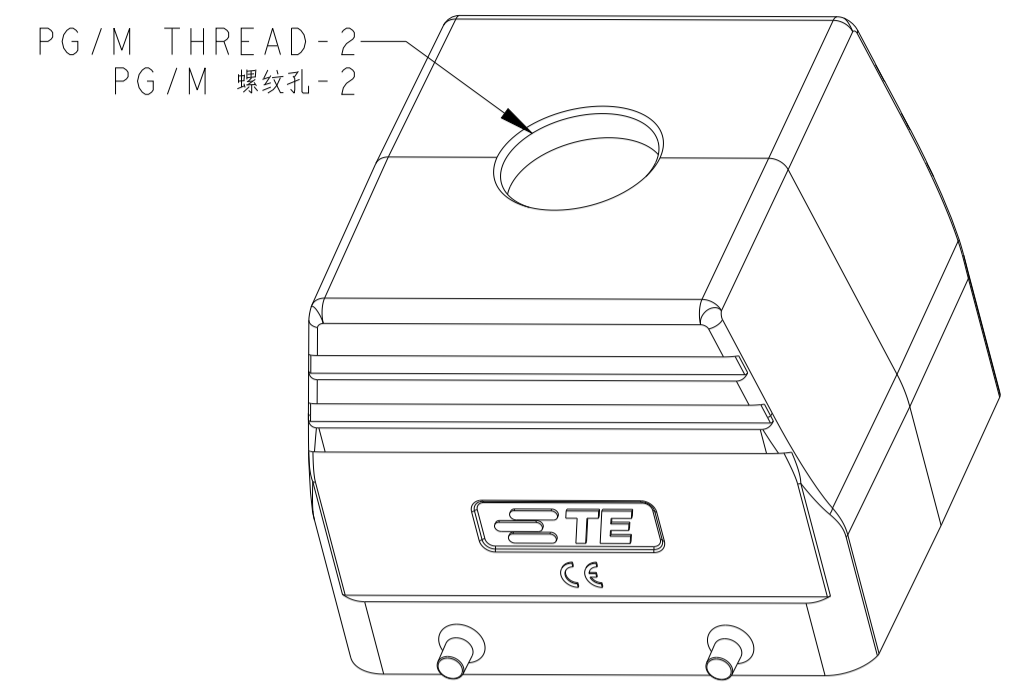


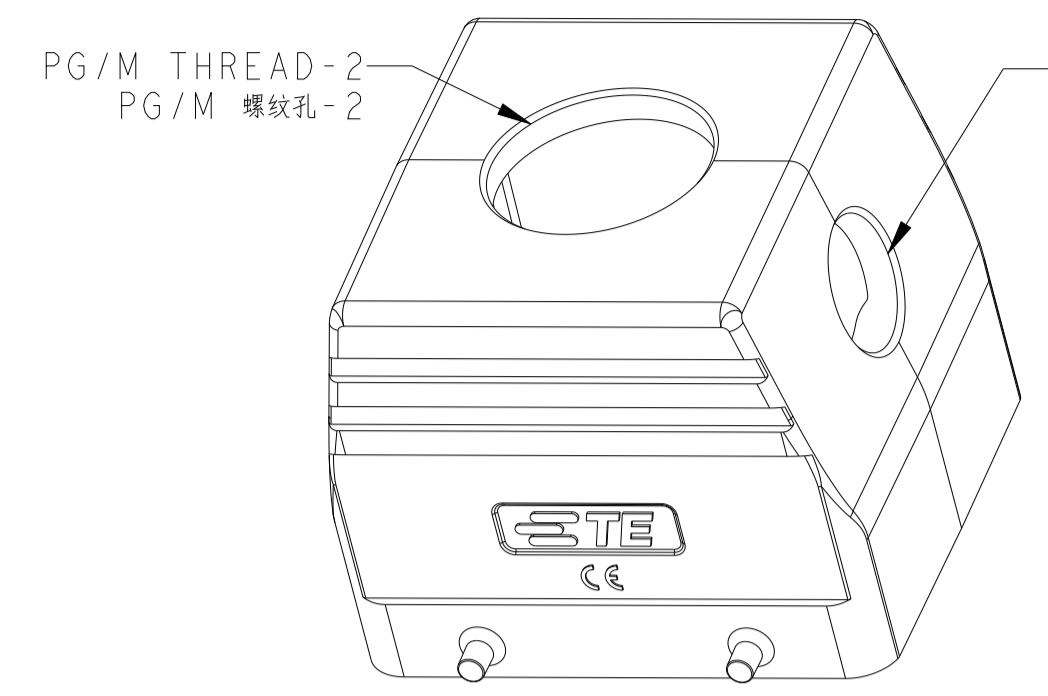
REVISIONS				
P	LTN	DESCRIPTION	DATE	OWN APVD
A2	ECR-16-013642		05MAY2017	BS CW
A3	ECR-18-006816		7MAY2018	RG CW
A4	ECR-18-018974		22NOV2018	WOR CW
B	ECR-21-109004		12AUG2021	WOR CW



TYPE 1: H32B HOOD, SIDE ENTRY, 4 EAR
 类型 1: H32B上壳, 侧出, 4耳



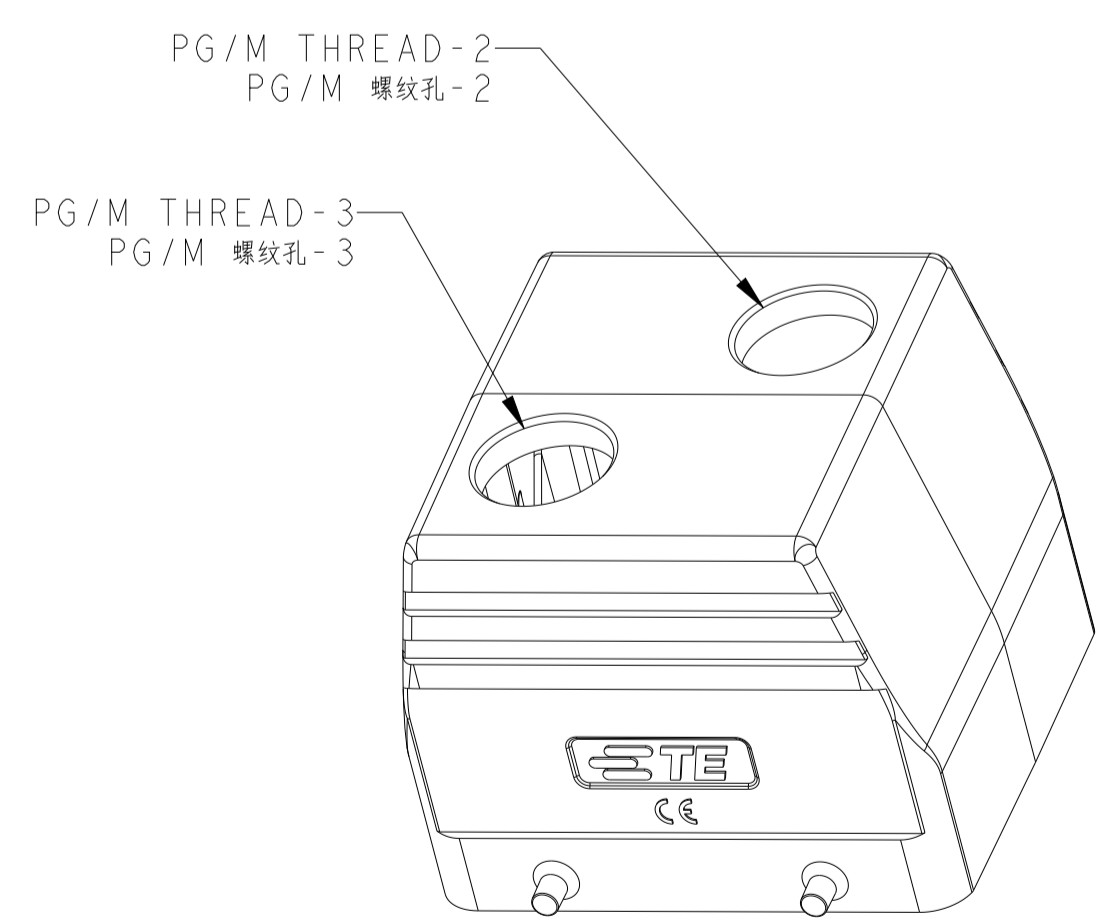
TYPE 2: H32B HOOD, TOP ENTRY, 4 EAR
 OTHER SPEC REFER TO TYPE 1
 类型 2: H32B上壳, 顶出, 4耳
 未注规格参照类型1



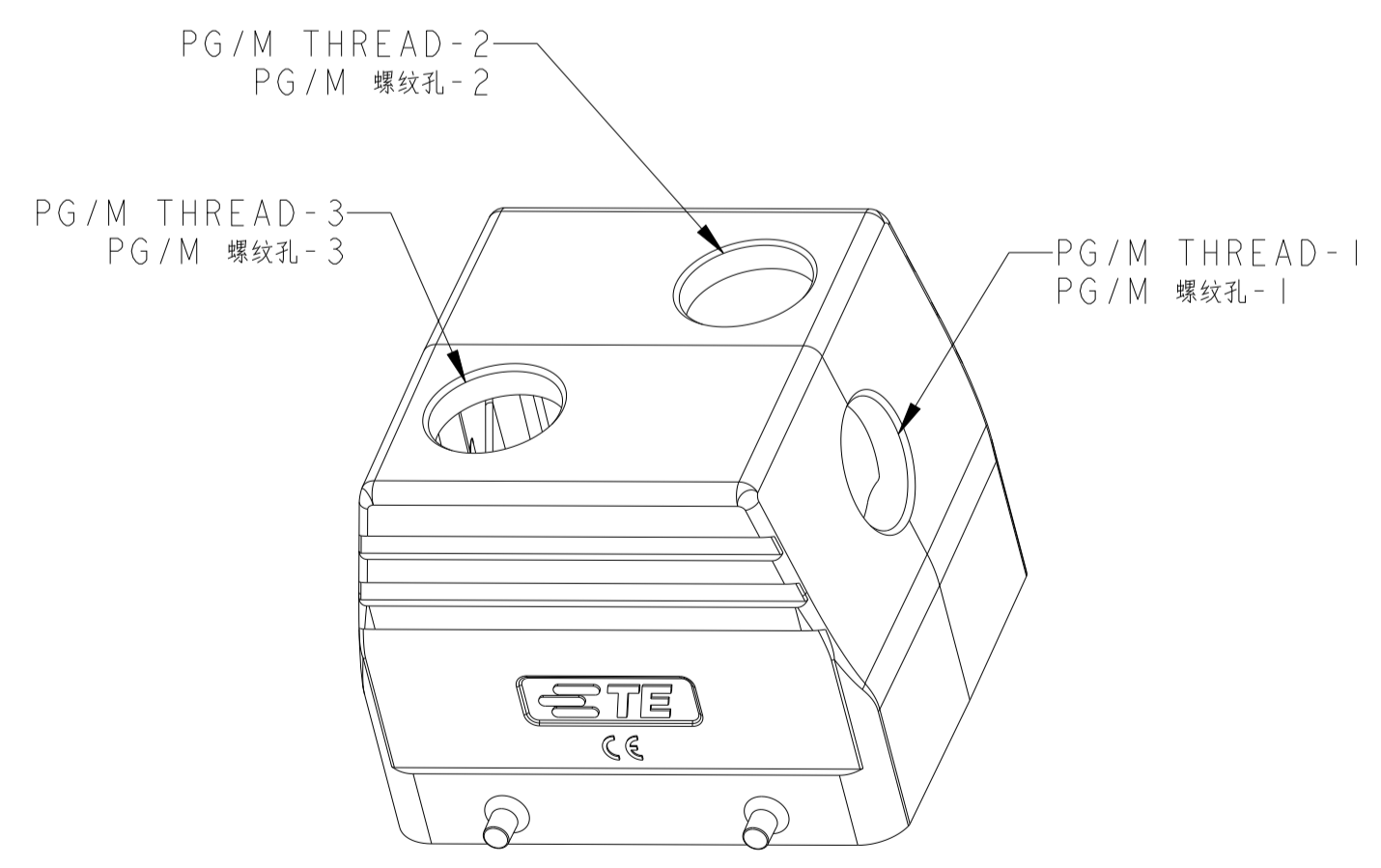
TYPE 3: H32B HOOD, SIDE/TOP ENTRY, 4 EAR
 OTHER SPEC REFER TO TYPE 1 & TYPE 2
 类型 3: H32B上壳, 侧顶出, 4耳
 未注规格参照类型1和类型2

NOTES:
 1. TECHNICAL CHARACTERISTICS:
 BODY MATERIAL: DIE CAST ALUMINIUM ALLOY
 SURFACE TREATMENT: POWDER COATED, GREY
 DEGREE OF PROTECTION: IP65 (MATED)

注释:
 1. 技术参数:
 主体材料: 铝合金
 表面处理: 灰色粉末喷涂
 防护等级: IP65(配合)



TYPE 4: H32B HOOD, TOP ENTRY (2 HOLE), 4 EAR
 OTHER SPEC REFER TO TYPE 1
 类型 4: H32B上壳, 顶出(2孔), 4耳
 未注规格参照类型1



TYPE 5: H32B HOOD, SIDE ENTRY / TOP ENTRY (2 HOLE), 4 EAR
 OTHER SPEC REFER TO TYPE 4
 类型 5: H32B上壳, 侧出/顶出(2孔), 4耳
 未注规格参照类型4

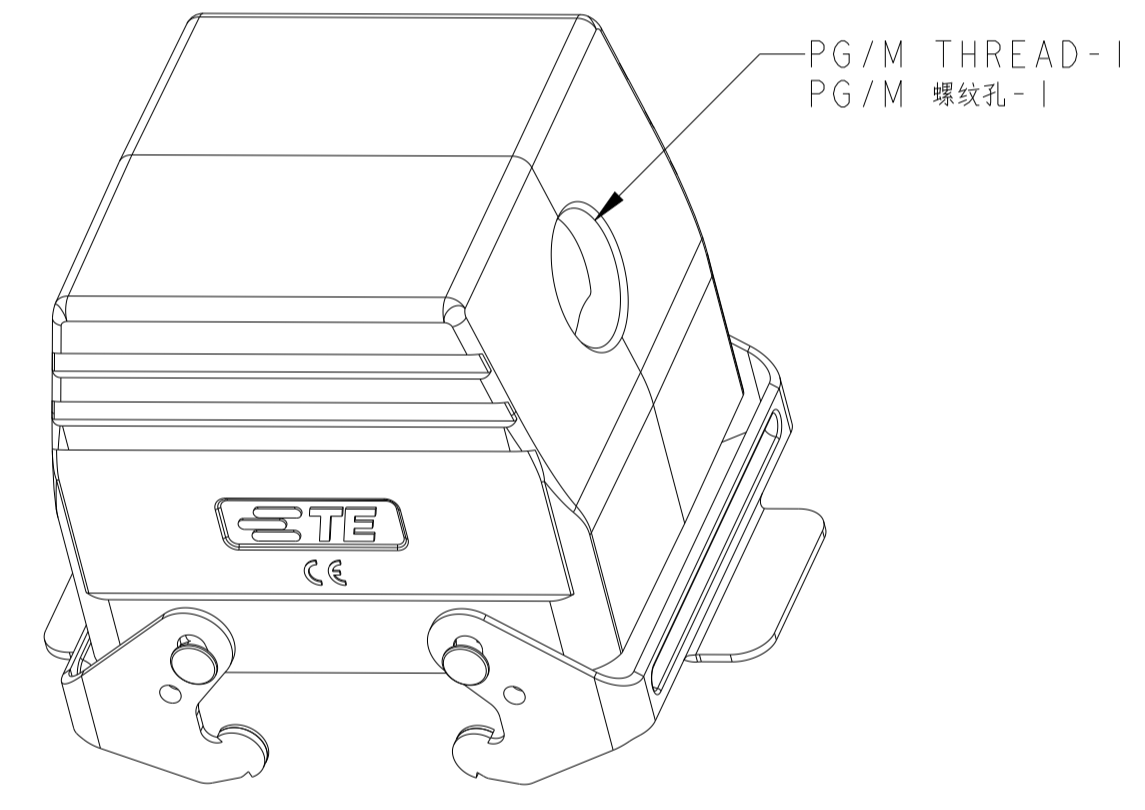
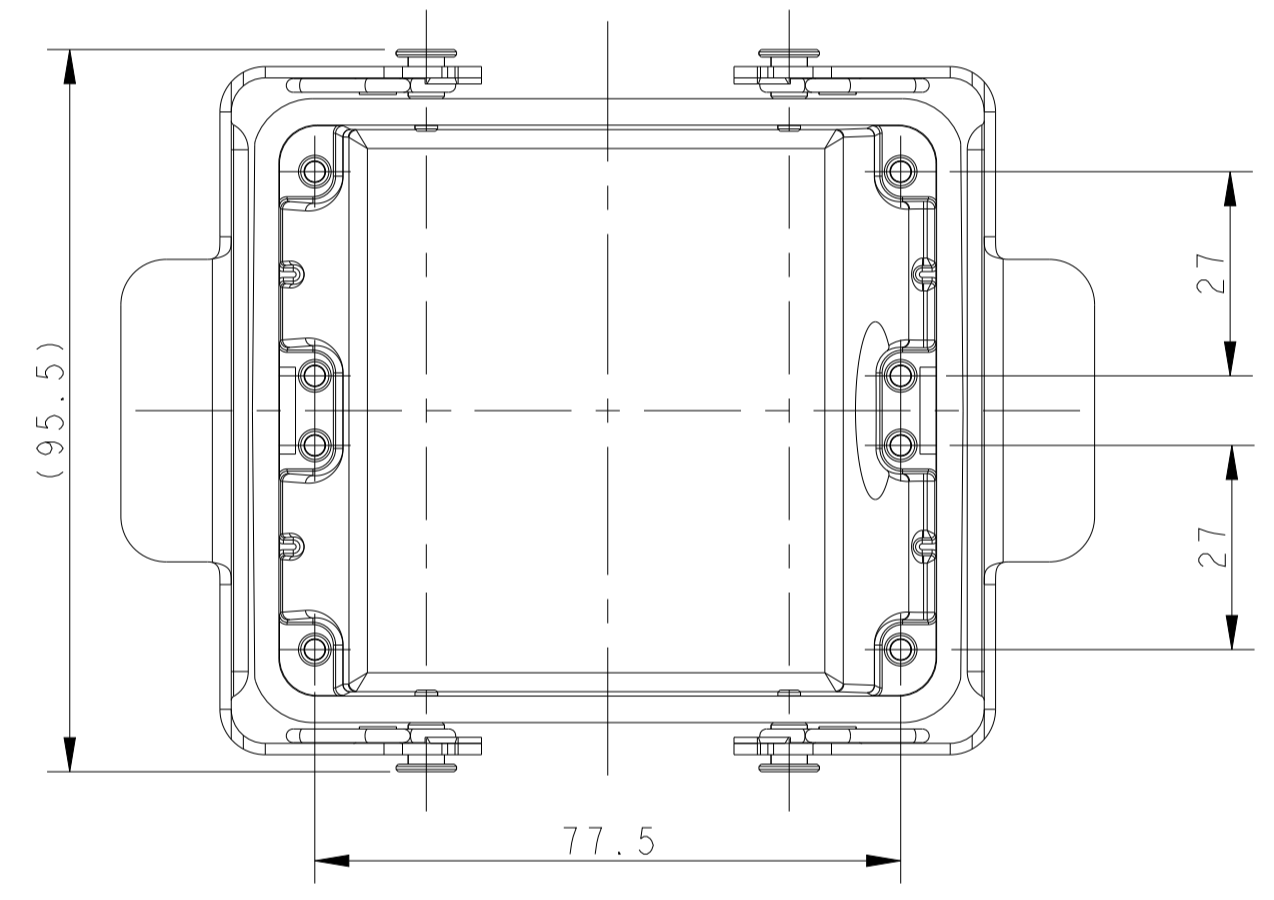
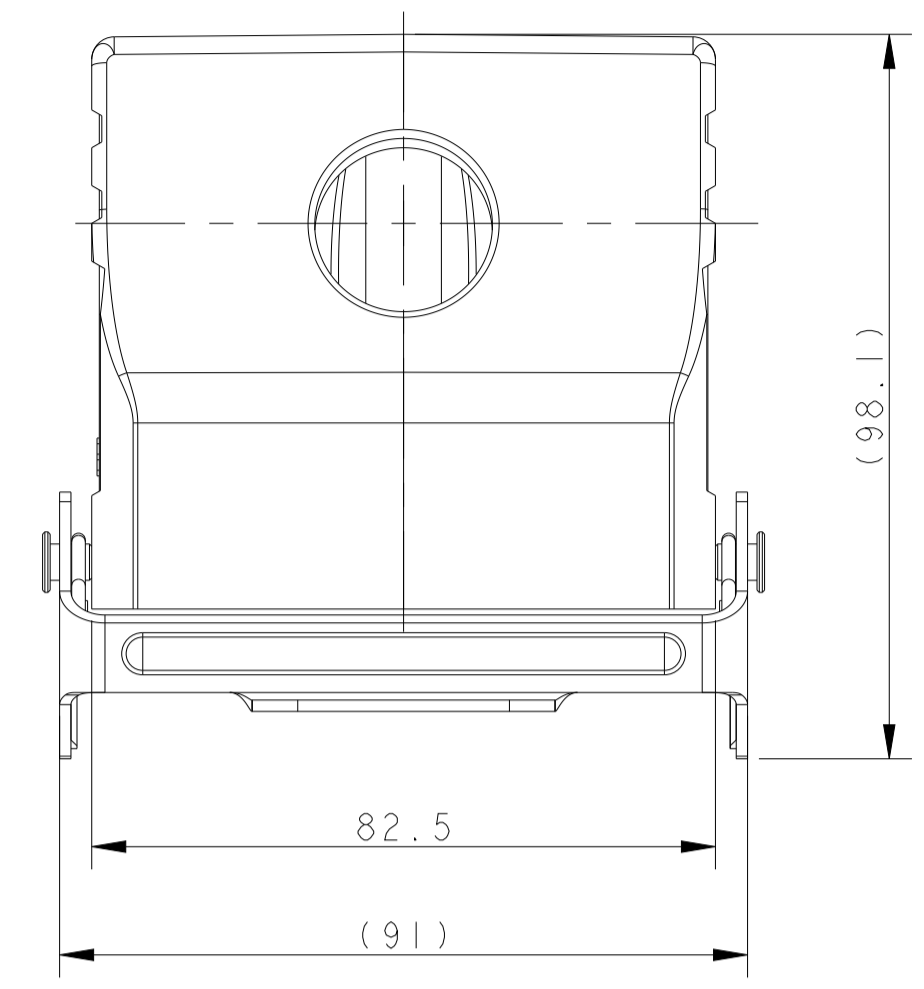
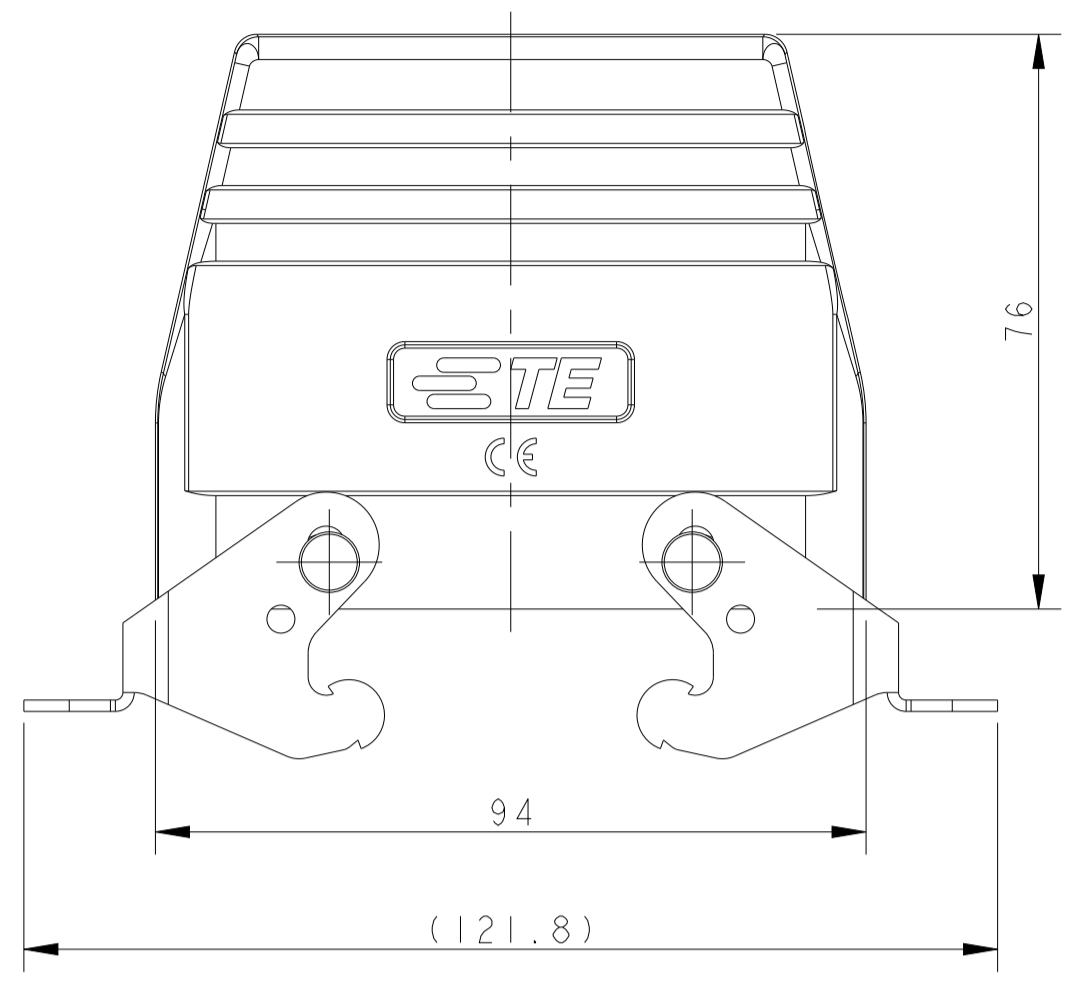
PART NUMBER	PART DESCRIPTION	PG/M THREAD-1	PG/M THREAD-2	PG/M THREAD-3	TYPE
T1210320120-000	H32B-TS-M20 H32B HOOD, SIDE ENTRY M20, 4 EAR, POWDER COATED, GREY H32B上壳, 侧出M20, 4耳, 灰色粉末喷涂	-	-	-	TYPE 1 类型 1
T1210320121-000	H32B-TS-PG21 H32B HOOD, SIDE ENTRY PG21, 4 EAR, POWDER COATED, GREY H32B上壳, 侧出PG21, 4耳, 灰色粉末喷涂	-	-	-	TYPE 1 类型 1
T1210320125-000	H32B-TS-M25 H32B HOOD, SIDE ENTRY M25, 4 EAR, POWDER COATED, GREY H32B上壳, 侧出M25, 4耳, 灰色粉末喷涂	-	-	-	TYPE 1 类型 1
T1210320129-000	H32B-TS-PG29 H32B HOOD, SIDE ENTRY PG29, 4 EAR, POWDER COATED, GREY H32B上壳, 侧出PG29, 4耳, 灰色粉末喷涂	-	-	-	TYPE 1 类型 1
T1210320132-000	H32B-TS-M32 H32B HOOD, SIDE ENTRY M32, 4 EAR, POWDER COATED, GREY H32B上壳, 侧出M32, 4耳, 灰色粉末喷涂	-	-	-	TYPE 1 类型 1
T1210320136-000	H32B-TS-PG36 H32B HOOD, SIDE ENTRY PG36, 4 EAR, POWDER COATED, GREY H32B上壳, 侧出PG36, 4耳, 灰色粉末喷涂	-	-	-	TYPE 1 类型 1
T1210320140-000	H32B-TS-M40 H32B HOOD, SIDE ENTRY M40, 4 EAR, POWDER COATED, GREY H32B上壳, 侧出M40, 4耳, 灰色粉末喷涂	-	-	-	TYPE 1 类型 1
T1220320121-000	H32B-TG-PG21 H32B HOOD, TOP ENTRY PG21, 4 EAR, POWDER COATED, GREY H32B上壳, 顶出PG21, 4耳, 灰色粉末喷涂	-	PG21	-	TYPE 2 类型 2
T1220320125-000	H32B-TG-M25 H32B HOOD, TOP ENTRY M25, 4 EAR, POWDER COATED, GREY H32B上壳, 顶出M25, 4耳, 灰色粉末喷涂	-	M25	-	TYPE 2 类型 2
T1220320129-000	H32B-TG-PG29 H32B HOOD, TOP ENTRY PG29, 4 EAR, POWDER COATED, GREY H32B上壳, 顶出PG29, 4耳, 灰色粉末喷涂	-	PG29	-	TYPE 2 类型 2
T1220320132-000	H32B-TG-M32 H32B HOOD, TOP ENTRY M32, 4 EAR, POWDER COATED, GREY H32B上壳, 顶出M32, 4耳, 灰色粉末喷涂	-	M32	-	TYPE 2 类型 2
T1220320136-000	H32B-TG-PG36 H32B HOOD, TOP ENTRY PG36, 4 EAR, POWDER COATED, GREY H32B上壳, 顶出PG36, 4耳, 灰色粉末喷涂	-	PG36	-	TYPE 2 类型 2
T1220320140-000	H32B-TG-M40 H32B HOOD, TOP ENTRY M40, 4 EAR, POWDER COATED, GREY H32B上壳, 顶出M40, 4耳, 灰色粉末喷涂	-	M40	-	TYPE 2 类型 2
T1220320142-000	H32B-TG-PG42 H32B HOOD, TOP ENTRY PG42, 4 EAR, POWDER COATED, GREY H32B上壳, 顶出PG42, 4耳, 灰色粉末喷涂	-	PG42	-	TYPE 2 类型 2
T1220320148-000	H32B-TG-PG48 H32B HOOD, TOP ENTRY PG48, 4 EAR, POWDER COATED, GREY H32B上壳, 顶出PG48, 4耳, 灰色粉末喷涂	-	PG48	-	TYPE 2 类型 2
T1220320150-000	H32B-TG-M50 H32B HOOD, TOP ENTRY M50, 4 EAR, POWDER COATED, GREY H32B上壳, 顶出M50, 4耳, 灰色粉末喷涂	-	M50	-	TYPE 2 类型 2
T1220320163-000	H32B-TG-M63 H32B HOOD, TOP ENTRY M63, 4 EAR, POWDER COATED, GREY H32B上壳, 顶出M63, 4耳, 灰色粉末喷涂	-	M63	-	TYPE 2 类型 2
T1220320134-000	H32B-TG-G3/4 H32B HOOD, TOP ENTRY G3/4, 4 EAR, POWDER COATED, GREY H32B上壳, 顶出G3/4, 4耳, 灰色粉末喷涂	-	G3/4	-	TYPE 2 类型 2
T1200320240-000	H32B-TG/S-2M40 H32B HOOD, SIDE/TOP ENTRY M40, 4 EAR, POWDER COATED, GREY H32B上壳, 侧/顶出M40, 4耳, 灰色粉末喷涂	M40	M40	-	TYPE 3 类型 3
T1200322921-000	H32B-TS/TG-PG29/PG21 H32B HOOD, TOP ENTRY PG21, SIDE ENTRY PG29, 4 EAR, POWDER COATED, GREY H32B上壳, 顶出PG21, 侧出PG29, 4耳, 灰色粉末喷涂	PG29	PG21	-	TYPE 3 类型 3
T1220320225-000	H32B-TG-2M25 H32B HOOD, TOP ENTRY 2M25, 4 EAR, POWDER COATED, GREY H32B上壳, 顶出2M25, 4耳, 灰色粉末喷涂	-	M25	M25	TYPE 4 类型 4
T1220320325-000	H32B-TG-3M25 H32B HOOD, TOP ENTRY 2M25, SIDE ENTRY M25, 4 EAR, POWDER COATED, GREY H32B上壳, 顶出2M25, 侧出M25, 4耳, 灰色粉末喷涂	M25	M25	M25	TYPE 5 类型 5

THIS DRAWING IS A CONTROLLED DOCUMENT. DIMENSIONS: mm. TOLERANCES UNLESS OTHERWISE SPECIFIED: 0 PLC ±, 1 PLC ±, 2 PLC ±, 3 PLC ±, 4 PLC ±, ANGLES ±. MATERIAL: -. FINISH: -. WEIGHT: -. CUSTOMER DRAWING.

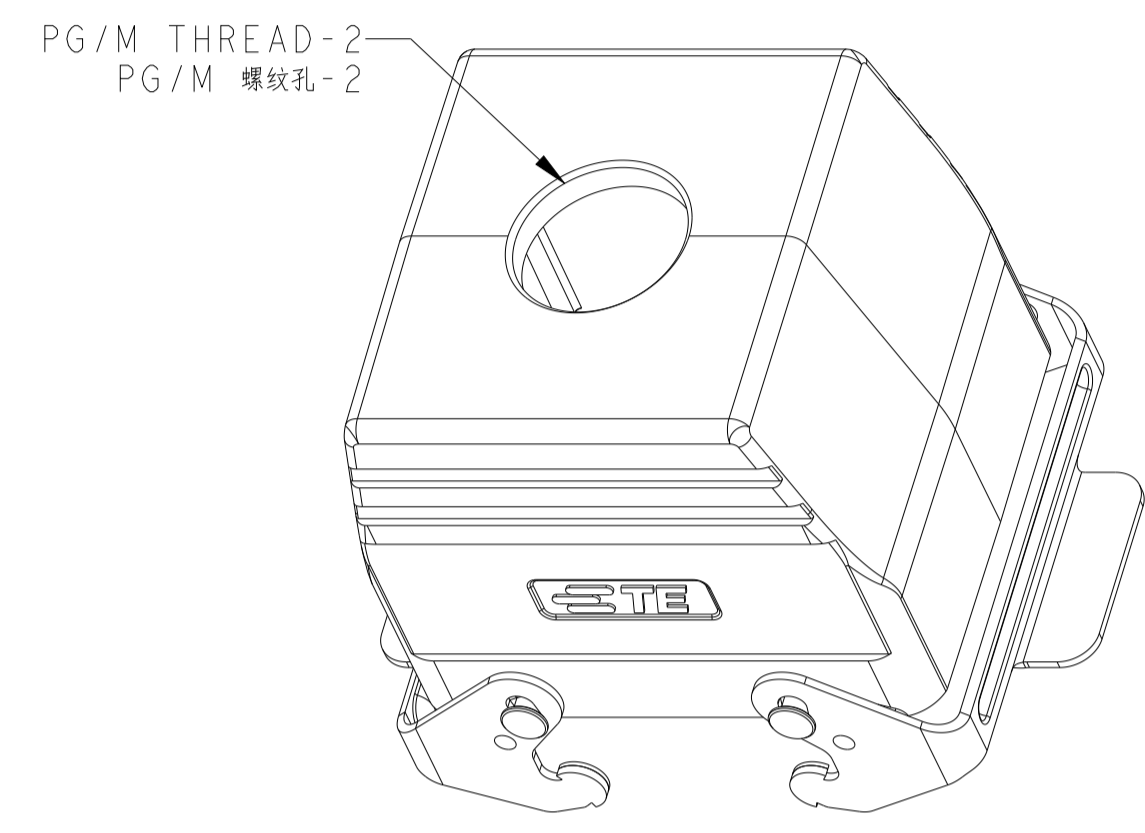
OWN: DAVID LI 02JUN2015, CHRIS WANG 02JUN2015, XU XIANG 02JUN2015. NAME: H32B-TS/TG/TSB/TGB-PG/M. SIZE: A1. SCALE: 1:1. SHEET: 1 OF 2. REV: B.

STE TE Connectivity

REVISIONS				
P	LTN	DESCRIPTION	DATE	APVD
-		SEE SHEET 1	-	-



TYPE 6: H32B HOOD, SIDE ENTRY, WITH DOUBLE STEEL LOCKING
 类型 6: H32B上壳, 侧出, 彩锌双扣



TYPE 7: H32B HOOD, TOP ENTRY, WITH DOUBLE STEEL LOCKING
 OTHER SPEC REFER TO TYPE 6
 类型 7: H32B上壳, 顶出, 彩锌双扣
 未注规格参照类型6

PART NUMBER	料号	PART DESCRIPTION	描述	PG/M THREAD-1 PG/M 螺纹孔-1	PG/M THREAD-2 PG/M 螺纹孔-2	TYPE 类型
T1250322121-000	H32B-TSB-PG21	H32B HOOD, SIDE ENTRY PG21, METAL DOUBLE LOCKING, POWDER COATED, GREY	H32B上壳, 侧出PG21, 彩锌双扣, 灰色粉末喷涂	PG21	-	TYPE 6
T1250322129-000	H32B-TSB-PG29	H32B HOOD, SIDE ENTRY PG29, METAL DOUBLE LOCKING, POWDER COATED, GREY	H32B上壳, 侧出PG29, 彩锌双扣, 灰色粉末喷涂	PG29	-	
T1250322132-000	H32B-TSB-M32	H32B HOOD, SIDE ENTRY M32, METAL DOUBLE LOCKING, POWDER COATED, GREY	H32B上壳, 侧出M32, 彩锌双扣, 灰色粉末喷涂	M32	-	
T1260320132-000	H32B-TGB-M32	H32B HOOD, TOP ENTRY M32, METAL DOUBLE LOCKING, POWDER COATED, GREY	H32B上壳, 顶出M32, 彩锌双扣, 灰色粉末喷涂	-	M32	TYPE 7
T1260320136-000	H32B-TGB-PG36	H32B HOOD, TOP ENTRY PG36, METAL DOUBLE LOCKING, POWDER COATED, GREY	H32B上壳, 顶出PG36, 彩锌双扣, 灰色粉末喷涂	-	PG36	
T1260320140-000	H32B-TGB-M40	H32B HOOD, TOP ENTRY M40, METAL DOUBLE LOCKING, POWDER COATED, GREY	H32B上壳, 顶出M40, 彩锌双扣, 灰色粉末喷涂	-	M40	
T1260322121-000	H32B-TGB-PG21	H32B HOOD, TOP ENTRY PG21, METAL DOUBLE LOCKING, POWDER COATED, GREY	H32B上壳, 顶出PG21, 彩锌双扣, 灰色粉末喷涂	-	PG21	
T1260322129-000	H32B-TGB-PG29	H32B HOOD, TOP ENTRY PG29, METAL DOUBLE LOCKING, POWDER COATED, GREY	H32B上壳, 顶出PG29, 彩锌双扣, 灰色粉末喷涂	-	PG29	

THIS DRAWING IS A CONTROLLED DOCUMENT.		OWN DAVID LI 02JUN2015	TE Connectivity
DIMENSIONS: mm		CHK CHRIS WANG 02JUN2015	
TOLERANCES UNLESS OTHERWISE SPECIFIED:		APVD YU XIANG 02JUN2015	NAME H32B-TS/TG/TSB/TGB-PG/M
0 PLC ± 1 PLC ± 2 PLC ± 3 PLC ± 4 PLC ± ANGLES ± FINISH ±		PRODUCT SPEC 108-137013	SIZE A1
MATERIAL		APPLICATION SPEC 114-137013	CAGE CODE -
		WEIGHT	DRAWING NO C-T12X032XXXX000
		CUSTOMER DRAWING	RESTRICTED TO
		SCALE 1:1	SHEET 2 OF 2
			REV B

X-ON Electronics

Largest Supplier of Electrical and Electronic Components

Click to view similar products for [Heavy Duty Power Connectors](#) category:

Click to view products by [TE Connectivity](#) manufacturer:

Other Similar products are found below :

[647757-1](#) [6643411-1](#) [6646058-2](#) [6646137-1](#) [6646138-1](#) [6646479-1](#) [6646608-1](#) [6646786-1](#) [6646940-1](#) [6651091-1](#) [6651525-1](#) [6651529-1](#)
[6651788-1](#) [696475-1](#) [702-32-01109](#) [703-25-02205](#) [73000005059](#) [73000005642](#) [73080255059](#) [73080965046](#) [765-15-0080A](#) [765-16-0080B](#)
[765-18-0080D](#) [829992-1](#) [902-77-02113](#) [PS00/A0620/6300](#) [PS25/A0420/63](#) [129-1J](#) [1409400](#) [AN0024023](#) [E6374G1](#) [e6389g2](#) [157-43GW8](#)
[MS3117-14AC](#) [1643543-1](#) [1650540-1](#) [1651811-2](#) [1766260-1](#) [1766282-1](#) [1766966-1](#) [1791340000](#) [NLDFT-3-BL-L-S120-M40A](#) [NLDFT-N-](#)
[W-L-C240-M40B](#) [NLS-2-R-C240-M40B](#) [NLS-N-W-C240-M40B](#) [NPS-3-BL-T6](#) [1986615-1](#) [2-1589900-8](#) [2199314-1](#) [KA8102](#)