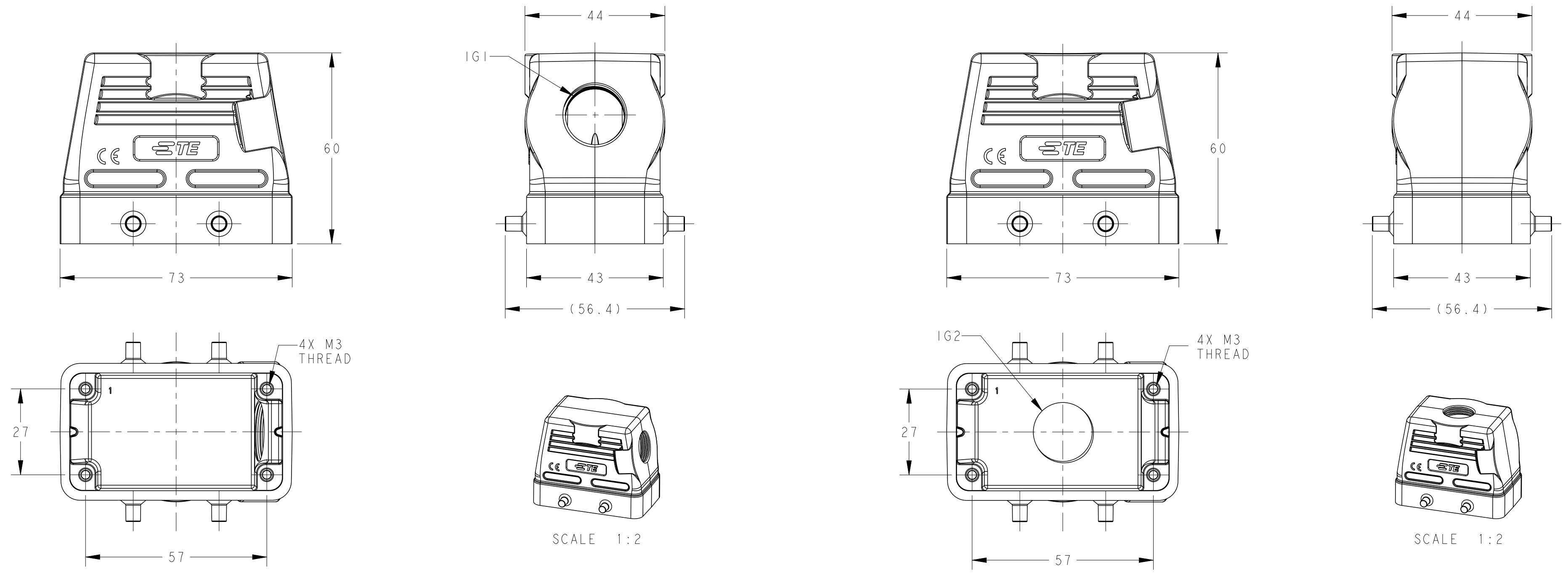


THIS DRAWING IS UNPUBLISHED. RELEASED FOR PUBLICATION 20  
 © COPYRIGHT 20 BY - ALL RIGHTS RESERVED.

REVISIONS				
P	LTR	DESCRIPTION	DATE	APVD
	A	INITIAL	10JUN2015	DW CW
	A1	ECR-18-006779	3MAY2018	RG CW
	B	ECR-20-008181	24JUN2020	WOR CW
	B1	ECR-21-103925	28MAY2021	WOR CW



TYPE 1: LOW CONSTRUCTION, SIDE ENTRY

TYPE 2: LOW CONSTRUCTION, TOP ENTRY

NOTES:  
 I. TECHNICAL CHARACTERISTICS:  
 HOOD MATERIAL: DIE CAST ALUMINIUM ALLOY  
 SURFACE: POWDER COATED, GREY  
 DEGREE OF PROTECTION: IP65 (MATED)

注释:  
 I. 技术参数:  
 上壳材料: 铝合金  
 表面处理: 粉末涂层, 灰色  
 防护等级: IP65 (配合)

PART NUMBER	TYPE	DESCRIPTION	IG1	IG2
T1210100113-000	TYPE 1	H10B-TS-PG13.5 H10B HOOD, SIDE ENTRY PG13.5, 4 EAR, POWDER COATED, GREY H10B上壳, 侧出PG13.5, 4耳, 灰色粉末喷涂	PG13.5	-
T1210100116-000		H10B-TS-PG16 H10B HOOD, SIDE ENTRY PG16, 4 EAR, POWDER COATED, GREY H10B上壳, 侧出PG16, 4耳, 灰色粉末喷涂	PG16	-
T1210100120-000		H10B-TS-M20 H10B HOOD, SIDE ENTRY M20, 4 EAR, POWDER COATED, GREY H10B上壳, 侧出M20, 4耳, 灰色粉末喷涂	M20	-
T1210100121-000		H10B-TS-PG21 H10B HOOD, SIDE ENTRY PG21, 4 EAR, POWDER COATED, GREY H10B上壳, 侧出PG21, 4耳, 灰色粉末喷涂	PG21	-
T1210100125-000		H10B-TS-M25 H10B HOOD, SIDE ENTRY M25, 4 EAR, POWDER COATED, GREY H10B上壳, 侧出M25, 4耳, 灰色粉末喷涂	M25	-
T1210100132-000		H10B-TS-M32 H10B HOOD, SIDE ENTRY M32, 4 EAR, POWDER COATED, GREY H10B上壳, 侧出M32, 4耳, 灰色粉末喷涂	M32	-
T1220100113-000	TYPE 2	H10B-TG-PG13.5 H10B HOOD, TOP ENTRY PG13.5, 4 EAR, POWDER COATED, GREY H10B上壳, 顶出PG13.5, 4耳, 灰色粉末喷涂	-	PG13.5
T1220100116-000		H10B-TG-PG16 H10B HOOD, TOP ENTRY PG16, 4 EAR, POWDER COATED, GREY H10B上壳, 顶出PG16, 4耳, 灰色粉末喷涂	-	PG16
T1220100120-000		H10B-TG-M20 H10B HOOD, TOP ENTRY M20, 4 EAR, POWDER COATED, GREY H10B上壳, 顶出M20, 4耳, 灰色粉末喷涂	-	M20
T1220100121-000		H10B-TG-PG21 H10B HOOD, TOP ENTRY PG21, 4 EAR, POWDER COATED, GREY H10B上壳, 顶出PG21, 4耳, 灰色粉末喷涂	-	PG21
T1220100125-000		H10B-TG-M25 H10B HOOD, TOP ENTRY M25, 4 EAR, POWDER COATED, GREY H10B上壳, 顶出M25, 4耳, 灰色粉末喷涂	-	M25
T1220100132-000		H10B-TG-M32 H10B HOOD, TOP ENTRY M32, 4 EAR, POWDER COATED, GREY H10B上壳, 顶出M32, 4耳, 灰色粉末喷涂	-	M32
T1220100136-000		H10B-TG-M36 H10B HOOD, TOP ENTRY M36, 4 EAR, POWDER COATED, GREY H10B上壳, 顶出M36, 4耳, 灰色粉末喷涂	-	M36

THIS DRAWING IS A CONTROLLED DOCUMENT.

DWN: David Wang 10JUN2015  
 CHK: Chris Wang 10JUN2015  
 APVD: Xiang Xu 10JUN2015

TE Connectivity

NAME: H10B-TS/TG-M/PG

108-137013  
 114-137013

SIZE: A2 CAGE CODE: 00779 DRAWING NO: T12X01001XX000 RESTRICTED TO: -

Customer Drawing SCALE: 1:1 SHEET: 1 OF 1 REV: B1

Printed on 17 Jun 2021 09:49 (China Standard Time) from IE343646

## X-ON Electronics

Largest Supplier of Electrical and Electronic Components

*Click to view similar products for [Heavy Duty Power Connectors](#) category:*

*Click to view products by [TE Connectivity](#) manufacturer:*

Other Similar products are found below :

[647757-1](#) [6643411-1](#) [6646058-2](#) [6646137-1](#) [6646138-1](#) [6646479-1](#) [6646608-1](#) [6646786-1](#) [6646940-1](#) [6651091-1](#) [6651525-1](#) [6651529-1](#)  
[6651788-1](#) [696475-1](#) [702-32-01109](#) [703-25-02205](#) [73000005059](#) [73000005642](#) [73080255059](#) [73080965046](#) [765-15-0080A](#) [765-16-0080B](#)  
[765-18-0080D](#) [829992-1](#) [902-77-02113](#) [PS00/A0620/6300](#) [PS25/A0420/63](#) [129-1J](#) [1409400](#) [AN0024023](#) [E6374G1](#) [e6389g2](#) [157-43GW8](#)  
[MS3117-14AC](#) [1643543-1](#) [1650540-1](#) [1651811-2](#) [1766260-1](#) [1766282-1](#) [1766966-1](#) [1791340000](#) [NLDFT-3-BL-L-S120-M40A](#) [NLDFT-N-](#)  
[W-L-C240-M40B](#) [NLS-2-R-C240-M40B](#) [NLS-N-W-C240-M40B](#) [NPS-3-BL-T6](#) [1986615-1](#) [2-1589900-8](#) [2199314-1](#) [KA8102](#)