

THIS DRAWING IS UNPUBLISHED.

RELEASED FOR PUBLICATION

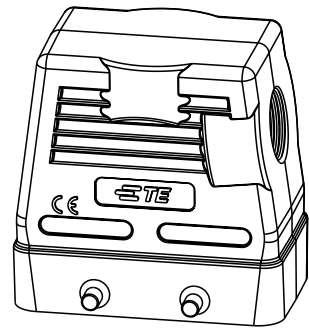
20

© COPYRIGHT 20 BY -

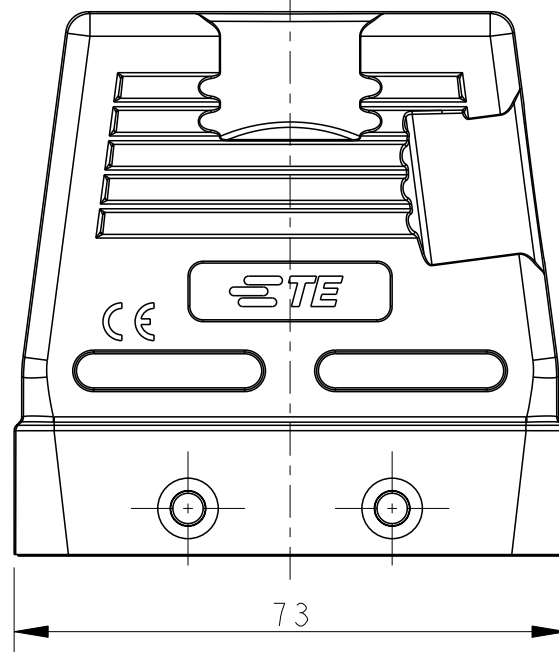
ALL RIGHTS RESERVED.

REVISIONS

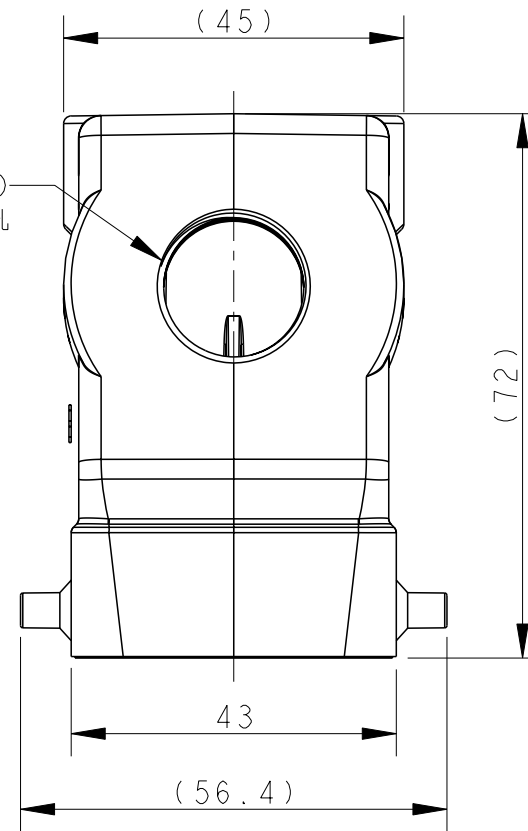
P	LTR	DESCRIPTION	DATE	DWN	APVD
	A	INITIAL	20OCT2016	RL	CW
	B	ECR-20-008181	28JUN2020	WQR	CW
	B1	ECR-21-103925	28MAY2021	WQR	CW



SCALE 1:2



PG/M THREAD
PG/M 螺纹孔

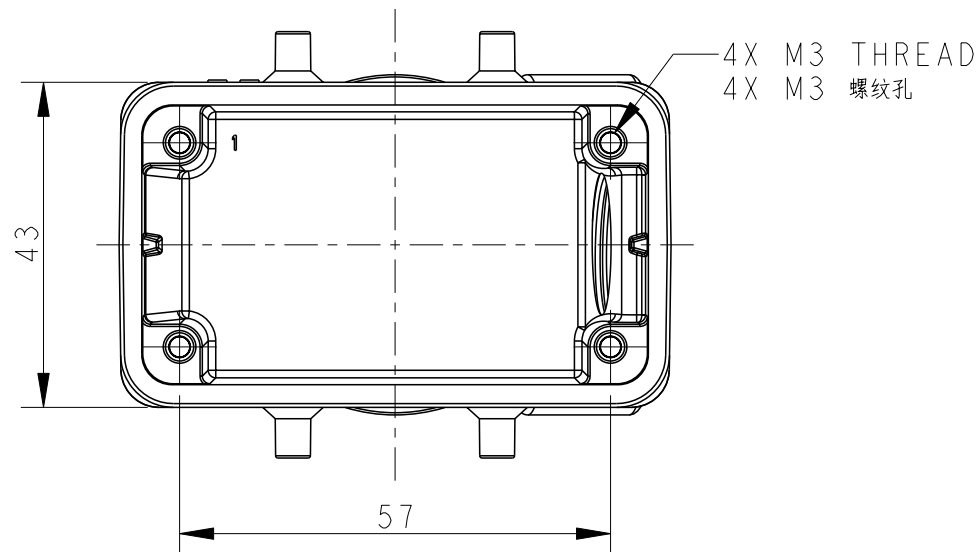


NOTES:

- 1. TECHNICAL CHARACTERISTICS:
HOOD MATERIAL: DIE CAST ALUMINIUM ALLOY
SURFACE: POWDER COATED, GREY
DEGREE OF PROTECTION: IP65 (MATED)


注释:

- 1. 技术参数:
上壳材料: 铝合金
表面处理: 灰色粉末喷涂
防护等级: IP65(配合)



4X M3 THREAD
4X M3 螺纹孔

T1230100116-008	H10B-TSH-PG16	H10B HOOD, SIDE ENTRY PG16, 4 EAR HIGH CONSTRUCTION, POWDER COATED, GREY, ENVISION H10B上壳, 侧出PG16, 4耳, 高结构, 灰色粉末喷涂, 远景	PG16
T1230100120-008	H10B-TSH-M20	H10B HOOD, SIDE ENTRY M20, 4 EAR HIGH CONSTRUCTION, POWDER COATED, GREY, ENVISION H10B上壳, 侧出M20, 4耳, 高结构, 灰色粉末喷涂, 远景	M20
T1230100121-008	H10B-TSH-PG21	H10B HOOD, SIDE ENTRY PG21, 4 EAR HIGH CONSTRUCTION, POWDER COATED, GREY, ENVISION H10B上壳, 侧出PG21, 4耳, 灰色粉末喷涂, 高结构	PG21
T1230100125-008	H10B-TSH-M25	H10B HOOD, SIDE ENTRY M25, 4 EAR HIGH CONSTRUCTION, POWDER COATED, GREY, ENVISION H10B上壳, 侧出M25, 4耳, 高结构, 灰色粉末喷涂, 远景	M25
T1230100129-008	H10B-TSH-PG29	H10B HOOD, SIDE ENTRY PG29, 4 EAR HIGH CONSTRUCTION, POWDER COATED, GREY, ENVISION H10B上壳, 侧出PG29, 4耳, 高结构, 灰色粉末喷涂, 远景	PG29
T1230100132-008	H10B-TSH-M32	H10B HOOD, SIDE ENTRY M32, 4 EAR HIGH CONSTRUCTION, POWDER COATED, GREY, ENVISION H10B上壳, 侧出M32, 4耳, 高结构, 灰色粉末喷涂, 远景	M32
T1230100140-008	H10B-TSH-M40	H10B HOOD, SIDE ENTRY M40, 4 EAR HIGH CONSTRUCTION, POWDER COATED, GREY, ENVISION H10B上壳, 侧出M40, 4耳, 高结构, 灰色粉末喷涂, 远景	M40
PART NUMBER 料号	PART DESCRIPTION 描述		PG/M THREAD PG/M螺纹孔

THIS DRAWING IS A CONTROLLED DOCUMENT.		DWN ROY LIU 20OCT2016	 TE Connectivity NAME H10B-TSH-PG/M											
DIMENSIONS: mm		CHK KYLE ZENG 20OCT2016												
TOLERANCES UNLESS OTHERWISE SPECIFIED:		APVD CHRIS WANG 20OCT2016												
<table border="0"> <tr><td>0 PLC</td><td>±-</td></tr> <tr><td>1 PLC</td><td>±-</td></tr> <tr><td>2 PLC</td><td>±-</td></tr> <tr><td>3 PLC</td><td>±-</td></tr> <tr><td>4 PLC</td><td>±-</td></tr> <tr><td>ANGLES</td><td>±-</td></tr> </table>		0 PLC			±-	1 PLC	±-	2 PLC	±-	3 PLC	±-	4 PLC	±-	ANGLES
0 PLC	±-													
1 PLC	±-													
2 PLC	±-													
3 PLC	±-													
4 PLC	±-													
ANGLES	±-													
MATERIAL	FINISH	APPLICATION SPEC 114-137013	SIZE A3	CAGE CODE -	DRAWING NO C-T12301001XX008	RESTRICTED TO -								
		WEIGHT -	CUSTOMER DRAWING		SCALE 1:1	SHEET 1 OF 1	REV B1							

printed on 17 Jun 2021 10:10 (China Standard Time) from TE343646

A

X-ON Electronics

Largest Supplier of Electrical and Electronic Components

Click to view similar products for [Heavy Duty Power Connectors](#) category:

Click to view products by [TE Connectivity](#) manufacturer:

Other Similar products are found below :

[647757-1](#) [6643411-1](#) [6646058-2](#) [6646137-1](#) [6646138-1](#) [6646479-1](#) [6646608-1](#) [6646786-1](#) [6646940-1](#) [6651091-1](#) [6651525-1](#) [6651529-1](#)
[6651788-1](#) [696475-1](#) [702-32-01109](#) [703-25-02205](#) [73000005059](#) [73000005642](#) [73080255059](#) [73080965046](#) [765-15-0080A](#) [765-16-0080B](#)
[765-18-0080D](#) [829992-1](#) [902-77-02113](#) [PS00/A0620/6300](#) [PS25/A0420/63](#) [129-1J](#) [1409400](#) [AN0024023](#) [E6374G1](#) [e6389g2](#) [157-43GW8](#)
[MS3117-14AC](#) [1643543-1](#) [1650540-1](#) [1651811-2](#) [1766260-1](#) [1766282-1](#) [1766966-1](#) [1791340000](#) [NLDFT-3-BL-L-S120-M40A](#) [NLDFT-N-](#)
[W-L-C240-M40B](#) [NLS-2-R-C240-M40B](#) [NLS-N-W-C240-M40B](#) [NPS-3-BL-T6](#) [1986615-1](#) [2-1589900-8](#) [2199314-1](#) [KA8102](#)