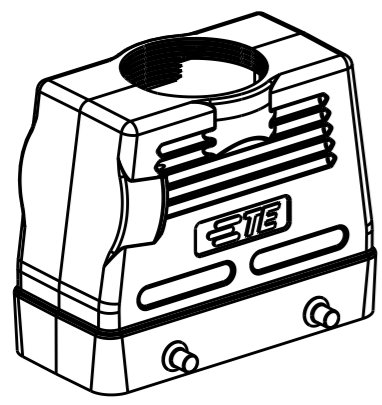
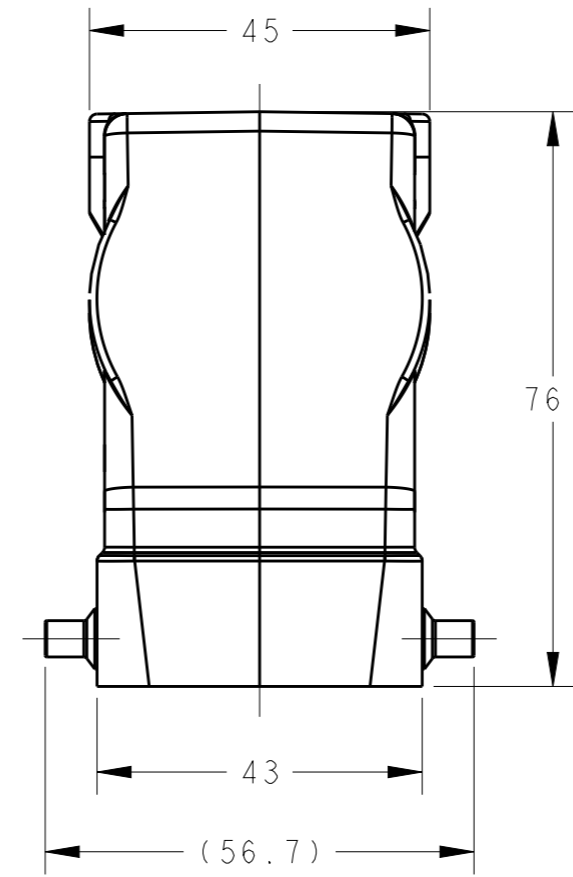
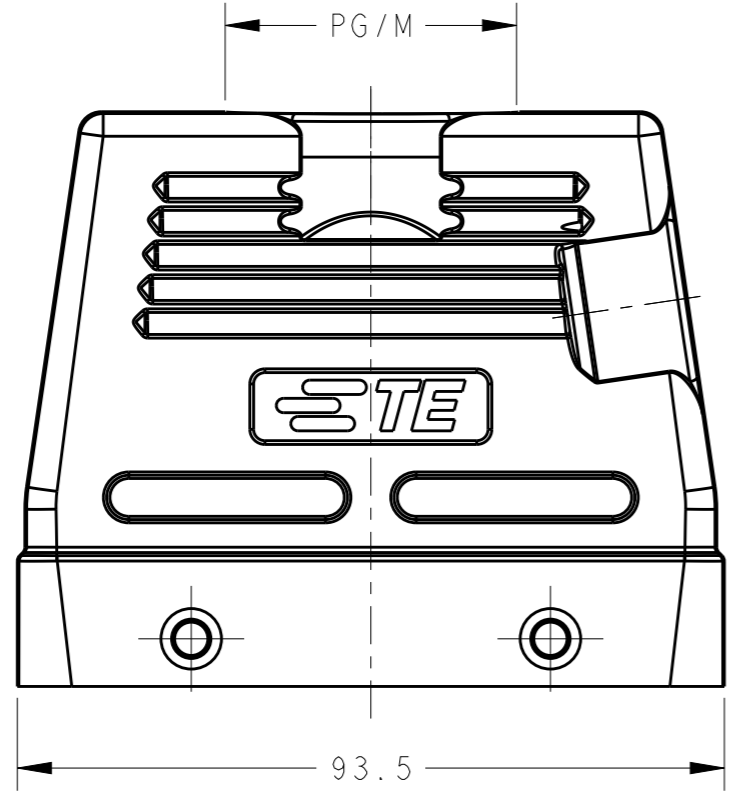


THIS DRAWING IS UNPUBLISHED. RELEASED FOR PUBLICATION 20
 © COPYRIGHT 20 BY - ALL RIGHTS RESERVED.

REVISIONS					
P	LTR	DESCRIPTION	DATE	DWN	APVD
	A	INITIAL	21MAY2015	DW	CW

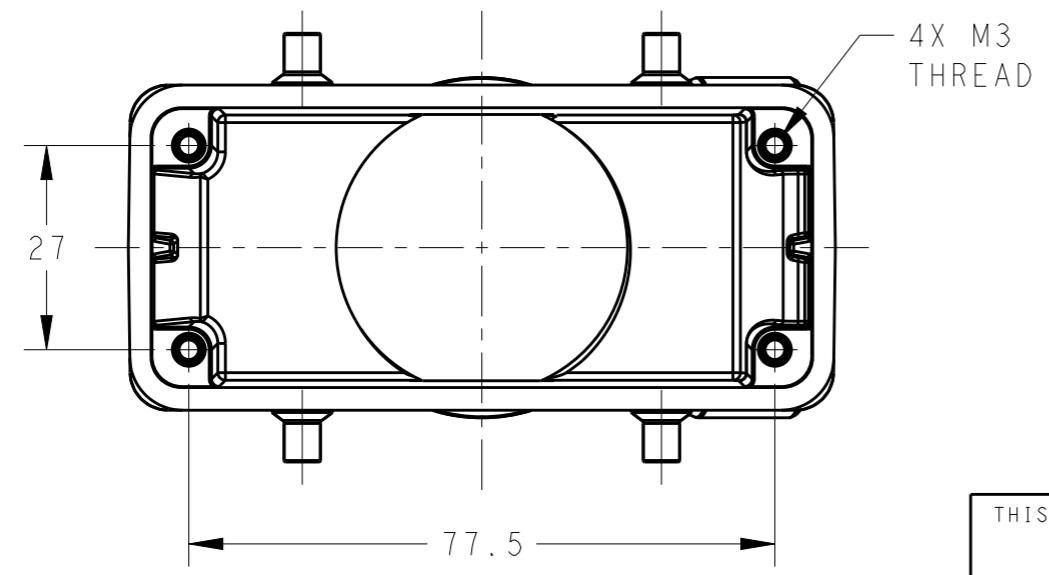


SCALE 1:2



NOTES:
 1. TECHNICAL CHARACTERISTICS:
 HOOD MATERIAL: DIE CAST ALUMINIUM ALLOY
 SURFACE: POWDER COATED, GREY
 OPERATION TEMPERATURE: -40-+125°C
 DEGREE OF PROTECTION: IP65 (MATED)

注释:
 1. 技术参数:
 上壳材料: 铝合金
 表面处理: 粉末涂层, 灰色
 工作温度: -40-+125°C
 防护等级: IP65(配合)



T1240160121-000	H16B-TGH-PG21	HIGH CONSTRUCTION	PG21
T1240160129-000	H16B-TGH-PG29		PG29
T1240160125-000	H16B-TGH-M25		M25
T1240160132-000	H16B-TGH-M32		M32
T1240160140-000	H16B-TGH-M40		M40
PART NUMBER	DESCRIPTION	TYPE	THREAD PG/M

THIS DRAWING IS A CONTROLLED DOCUMENT.		DWN 21MAY2015 David Wang	TE Connectivity	
DIMENSIONS: mm		CHK 21MAY2015 Chris Wang		
TOLERANCES UNLESS OTHERWISE SPECIFIED:		APVD 21MAY2015 Xiang Xu	NAME H16B-TGH-M/PG	
0 PLC ±- 1 PLC ±- 2 PLC ±- 3 PLC ±- 4 PLC ±- ANGLES ±-		PRODUCT SPEC 108-137013	RESTRICTED TO	
MATERIAL		APPLICATION SPEC 114-137013	SIZE A3	CAGE CODE 00779
FINISH		WEIGHT	DRAWING NO T12401601XX000	
-		Customer Drawing	SCALE 1:1 SHEET 1 OF 1 REV A	

X-ON Electronics

Largest Supplier of Electrical and Electronic Components

Click to view similar products for [Heavy Duty Power Connectors](#) category:

Click to view products by [TE Connectivity](#) manufacturer:

Other Similar products are found below :

[1424439](#) [1424438](#) [09330062652](#) [2-8675P1](#) [580129-2](#) [605601-1](#) [6340G1](#) [6341G1](#) [6360G1](#) [6373G1](#) [6374g2](#) [6396G1](#) [647757-1](#) [66394-4](#)
[6643411-1](#) [6646058-2](#) [6646137-1](#) [6646138-1](#) [6646348-1](#) [6646479-1](#) [6646608-1](#) [6646786-1](#) [6646940-1](#) [6651091-1](#) [6651525-1](#) [6651529-1](#)
[6651778-1](#) [6651788-1](#) [696465-1](#) [696475-1](#) [73000005059](#) [73000005349](#) [73000005642](#) [73080255059](#) [73080965046](#) [765-15-0080A](#)
[765-16-0080B](#) [789.700-44](#) [789.700-54](#) [80-1010](#) [80-9](#) [827381-1](#) [829992-1](#) [902-77-02113](#) [PL00U-301-10D10](#) [PM103MOOLOO](#)
[PM16S1620S32-50](#) [PM212MOOLOO](#) [PM309FOOLOO](#) [PM324FOOLCH](#)