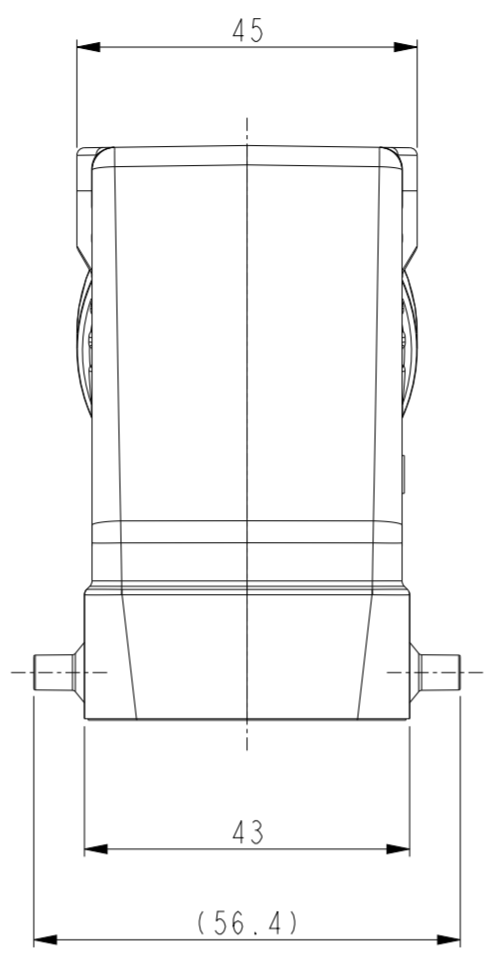
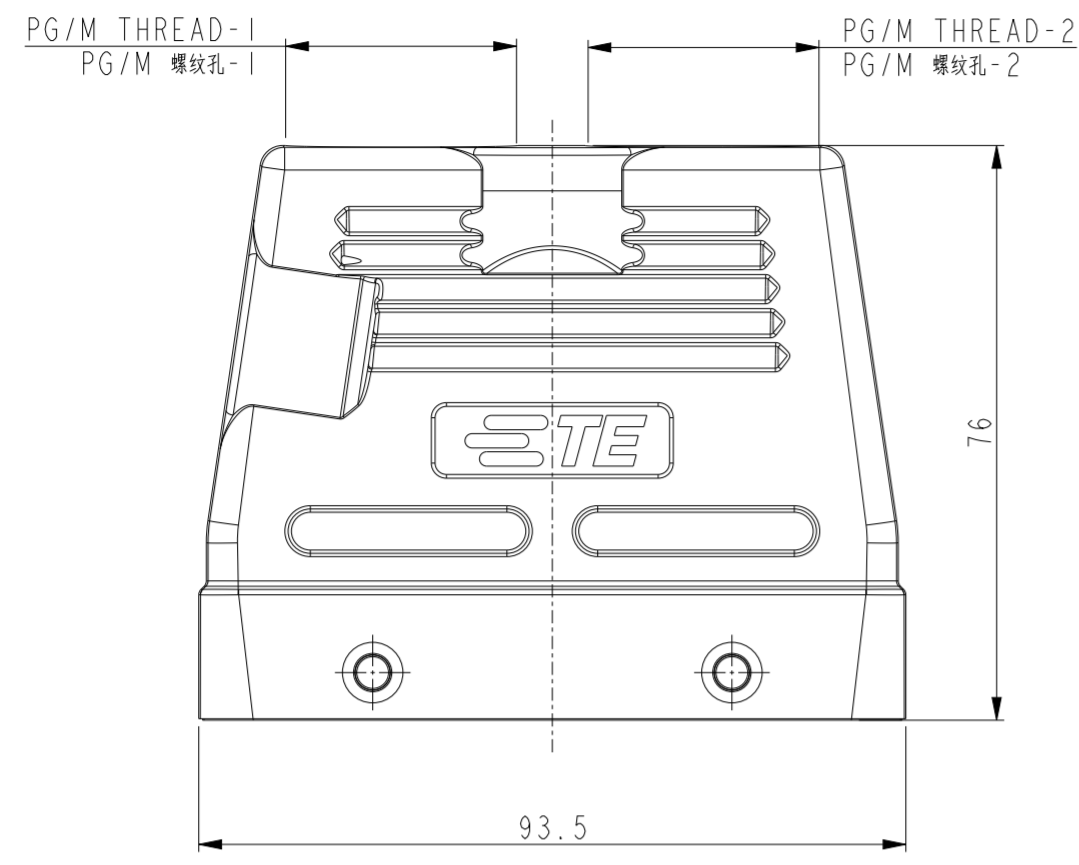
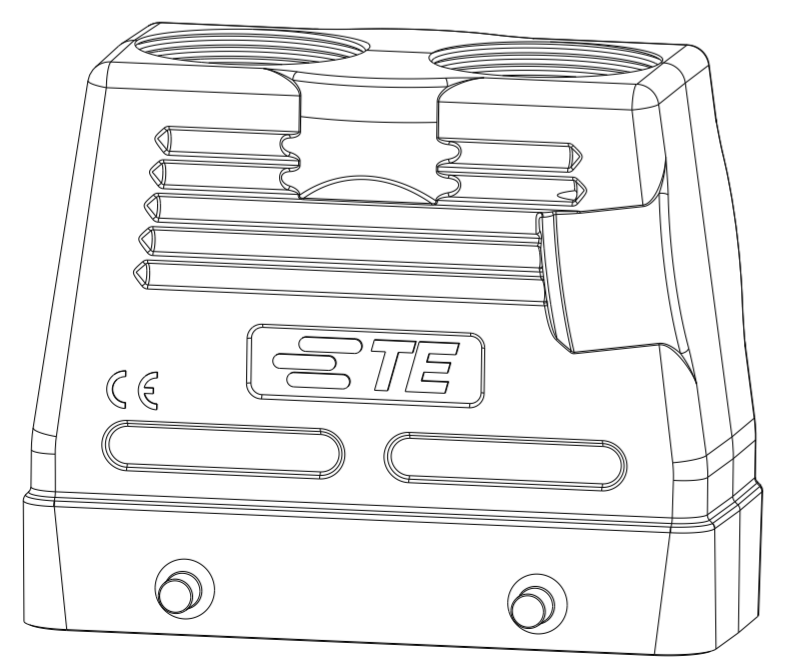
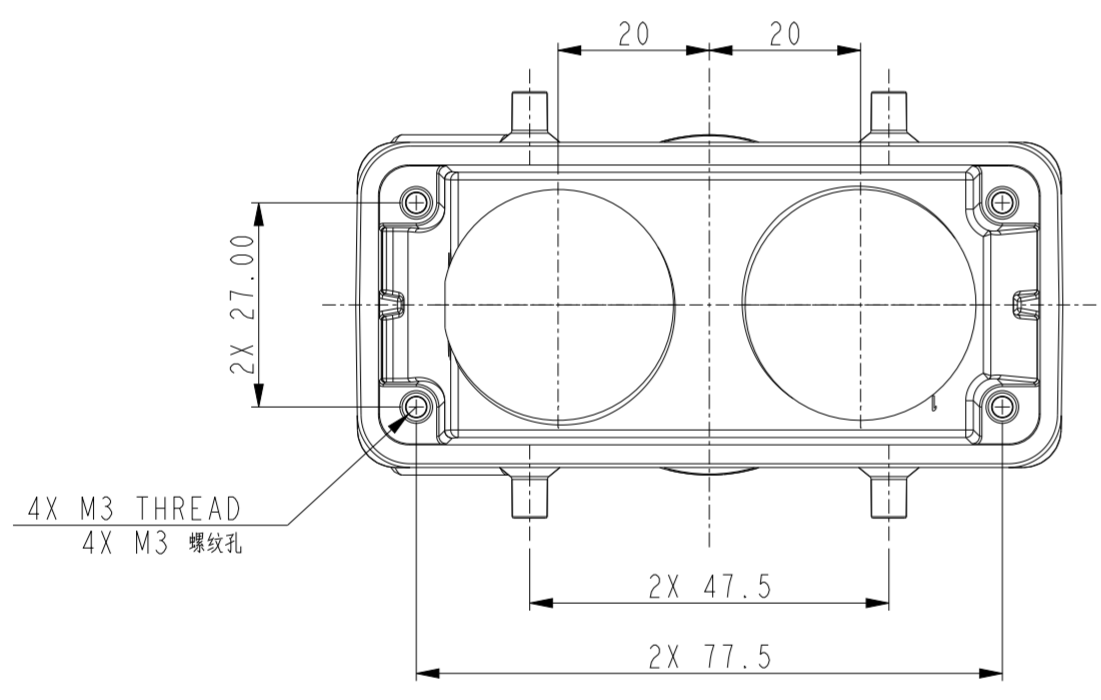


THIS DRAWING IS UNPUBLISHED. RELEASED FOR PUBLICATION 20
 © COPYRIGHT 20 BY - ALL RIGHTS RESERVED.

REVISIONS				
P	LTR	DESCRIPTION	DATE	APVD
B1		ECR-18-017123	21JAN2019	KW CW
B2		ECR-19-005083	29MAR2019	RG CW
C		ECR-20-008190	07AUG2020	WOR CW
C1		ECR-21-105138	29JUN2021	WOR CW



NOTES:
 1. TECHNICAL CHARACTERISTICS:
 HOOD MATERIAL: DIE CAST ALUMINIUM ALLOY
 SURFACE: POWDER COATED, GREY
 DEGREE OF PROTECTION: IP65 (MATED)
 2. PG25 IS NOT STANDARD THREAD SPEC, HERE RESTRICTED TO MATE WITH
 OUT DIAMETER 29.5mm AND THREAD PITCH 1.588mm GLAND.
 注释:
 1. 技术参数:
 上壳材料: 铝合金
 表面处理: 灰色粉末喷涂
 防护等级: IP65(配合)
 2. PG25 为非标准螺纹, 此处限定互配螺纹外径为29.5mm, 螺距1.588mm 的格兰头.



PART NUMBER 料号	DESCRIPTION 描述	PG/M THREAD-1 PG/M 螺纹孔-1	PG/M THREAD-2 PG/M 螺纹孔-2	TYPE 类型
T1240160225-001	H16B-TGH-2PG25 (FOR OD29.5MM THREAD)	PG25	PG25	HIGH CONSTRUCTION 高结构
T1240160216-000	H16B-TGH-2PG16	PG16	PG16	
T1240160216-001	H16B-TGH-2M16	M16	M16	
T1240160221-000	H16B-TGH-2PG21	PG21	PG21	
T1240160225-000	H16B-TGH-2M25	M25	M25	
T1240161625-000	H16B-TGH-M16/M25	M16	M25	
T1240163225-000	H16B-TGH-M32/M25	M32	M25	
T1240162520-000	H16B-TGH-M25/M20	M25	M20	

THIS DRAWING IS A CONTROLLED DOCUMENT.

DAVID.WANG 22MAY2014
 CHRIS.WANG 22MAY2014
 XIANG.XU 22MAY2014

STE TE Connectivity

NAME: H16B-TGH-2M/PG

PRODUCT SPEC: 108-137013
 APPLICATION SPEC: 114-137013

SIZE: A2 CAGE CODE: 00779 DRAWING NO: C-T124016XXXX000 RESTRICTED TO: C1

SCALE: 1:1 SHEET: OF REV: C1

X-ON Electronics

Largest Supplier of Electrical and Electronic Components

Click to view similar products for [Heavy Duty Power Connectors](#) category:

Click to view products by [TE Connectivity](#) manufacturer:

Other Similar products are found below :

[647757-1](#) [6643411-1](#) [6646058-2](#) [6646137-1](#) [6646138-1](#) [6646479-1](#) [6646608-1](#) [6646786-1](#) [6646940-1](#) [6651091-1](#) [6651525-1](#) [6651529-1](#)
[6651788-1](#) [696475-1](#) [702-32-01109](#) [703-25-02205](#) [73000005059](#) [73000005642](#) [73080255059](#) [73080965046](#) [765-15-0080A](#) [765-16-0080B](#)
[765-18-0080D](#) [829992-1](#) [902-77-02113](#) [PS00/A0620/6300](#) [PS25/A0420/63](#) [129-1J](#) [1409400](#) [AN0024023](#) [E6374G1](#) [e6389g2](#) [157-43GW8](#)
[MS3117-14AC](#) [1643543-1](#) [1650540-1](#) [1651811-2](#) [1766260-1](#) [1766282-1](#) [1766966-1](#) [1791340000](#) [NLDFT-3-BL-L-S120-M40A](#) [NLDFT-N-](#)
[W-L-C240-M40B](#) [NLS-2-R-C240-M40B](#) [NLS-N-W-C240-M40B](#) [NPS-3-BL-T6](#) [1986615-1](#) [2-1589900-8](#) [2199314-1](#) [KA8102](#)