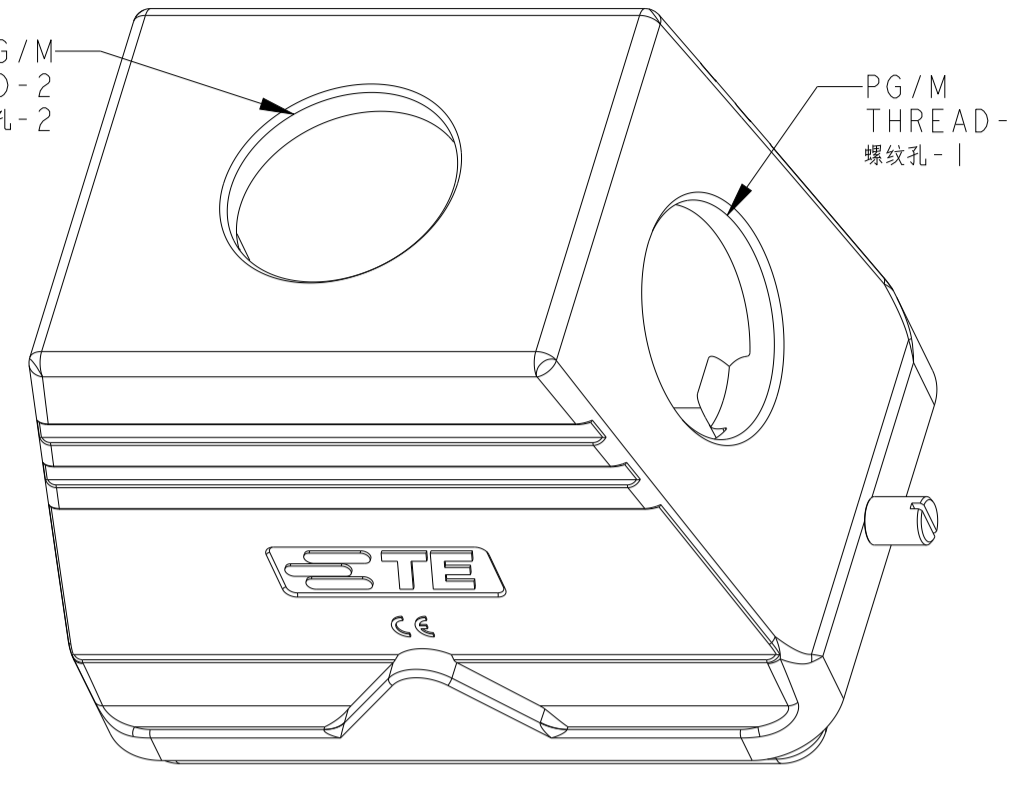
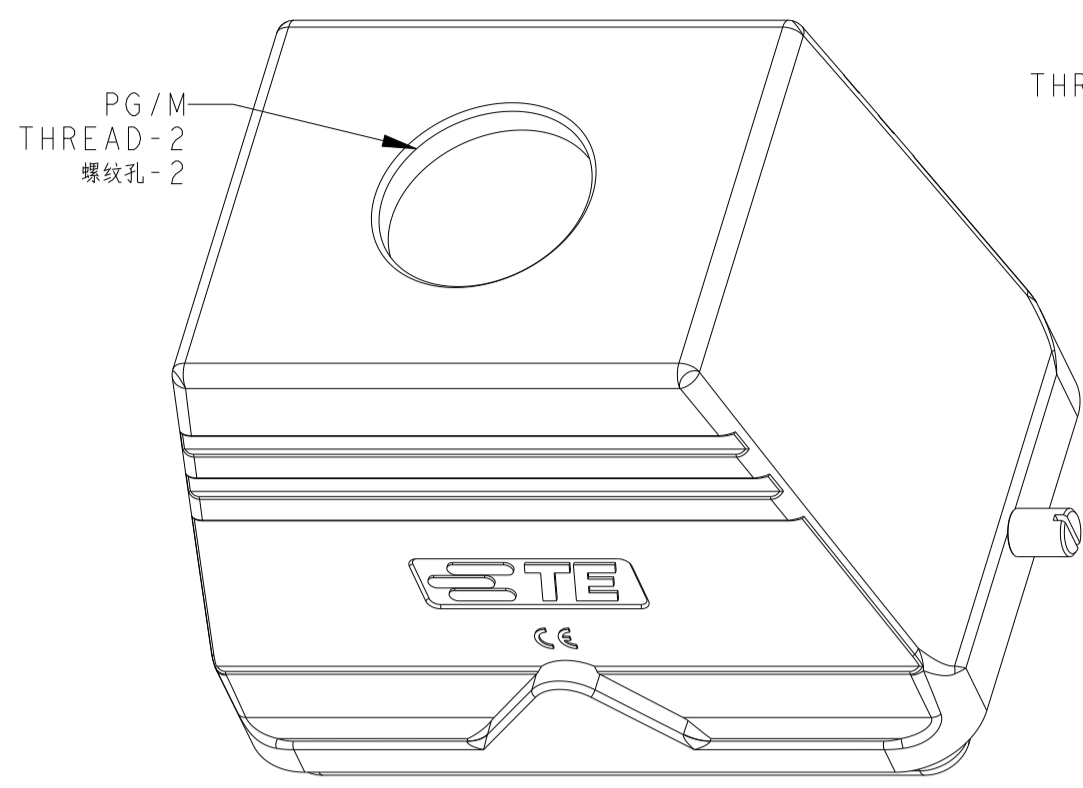
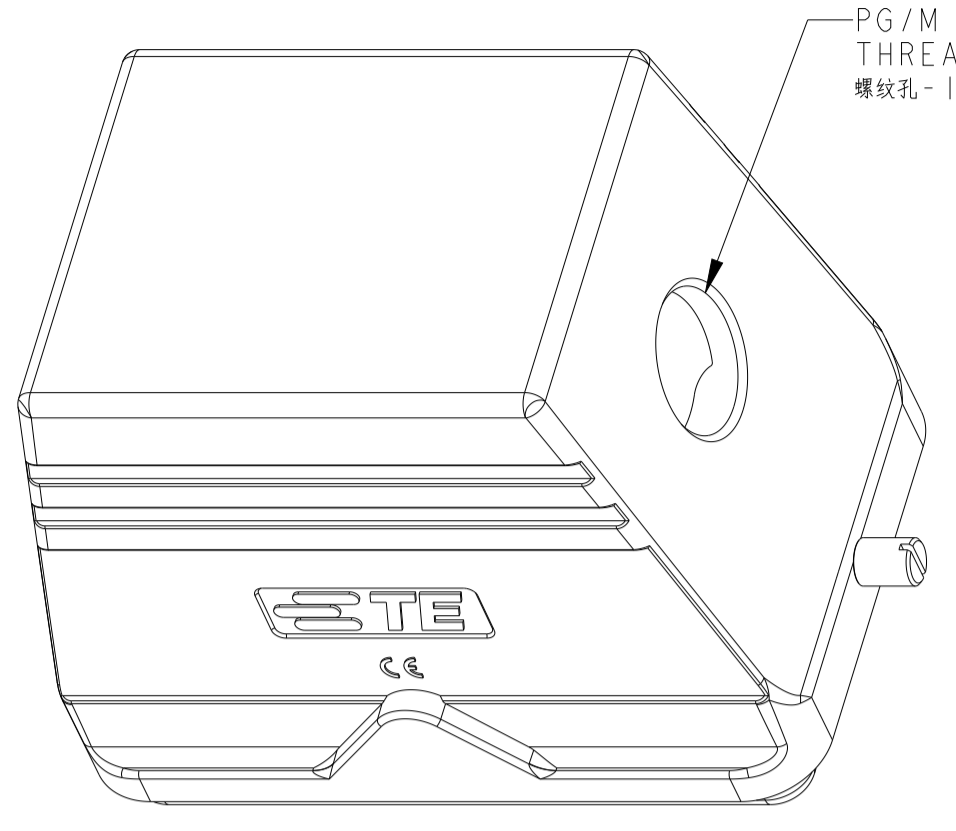
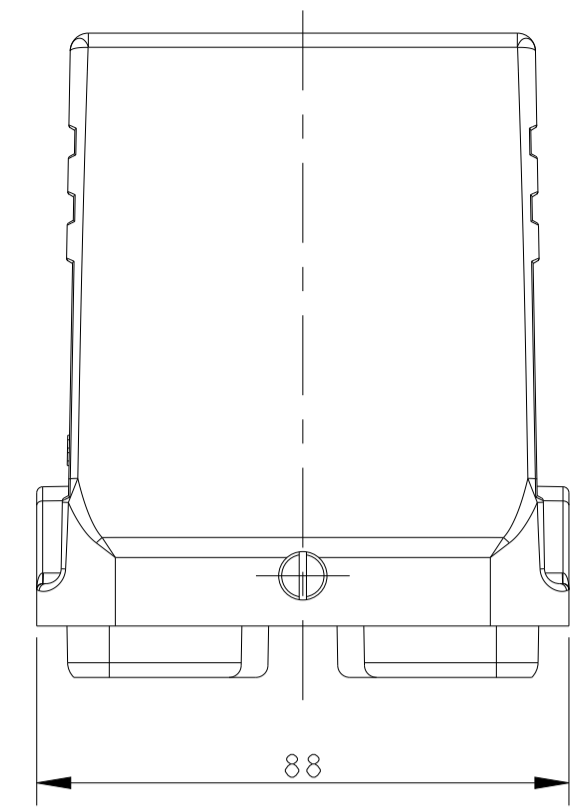
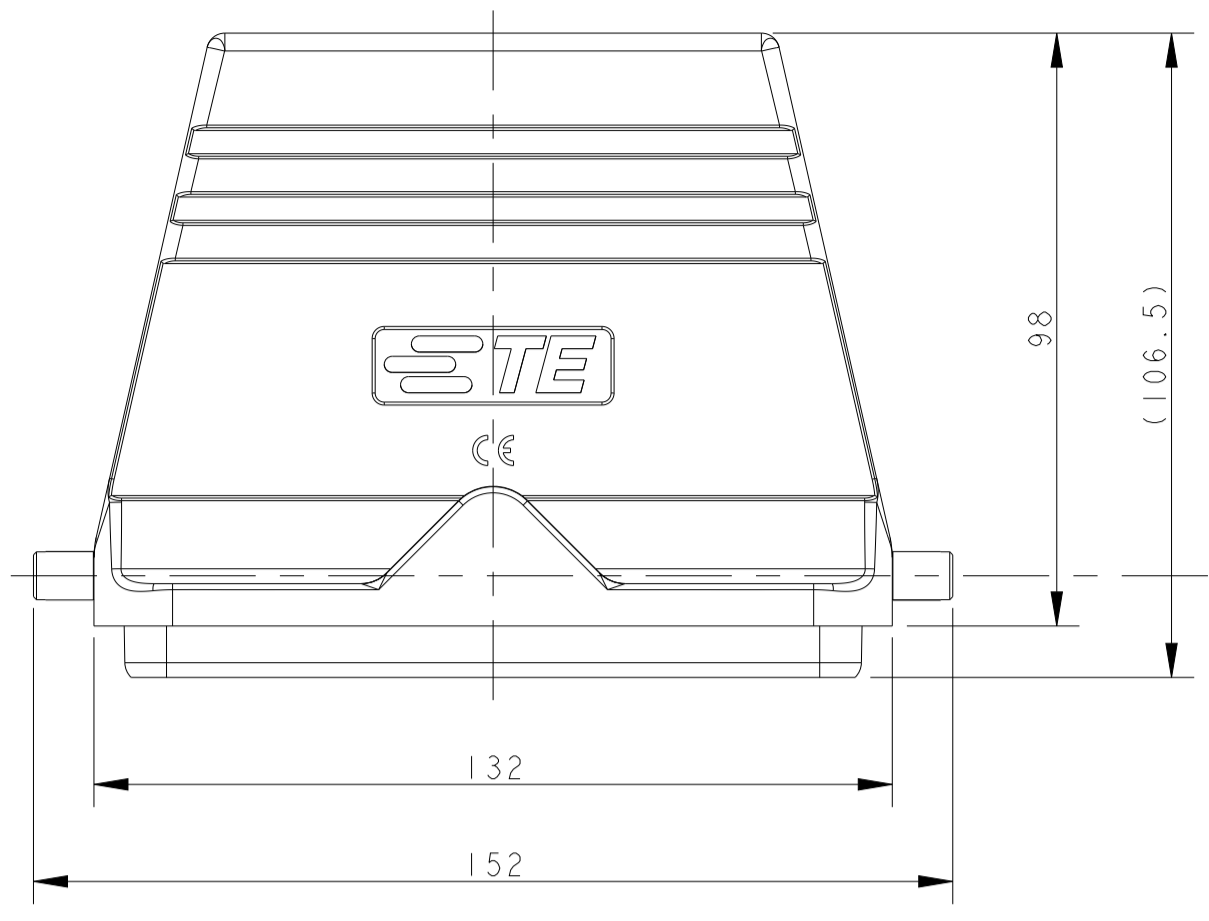


REVISIONS					
P	LTN	DESCRIPTION	DATE	OWN	APVD
A2	ECR-17-002665		27FEB2017	BS	CW
A3	ECR-18-018974		04DEC2018	WOR	CW
A4	ECR-19-010616		08JUL2019	CD	CW
B	ECR-21-109004		19AUG2021	WOR	CW



TYPE 2: H48B HOOD, SIDE ENTRY, 2 EAR
OTHER SPEC REFER TO TYPE 1

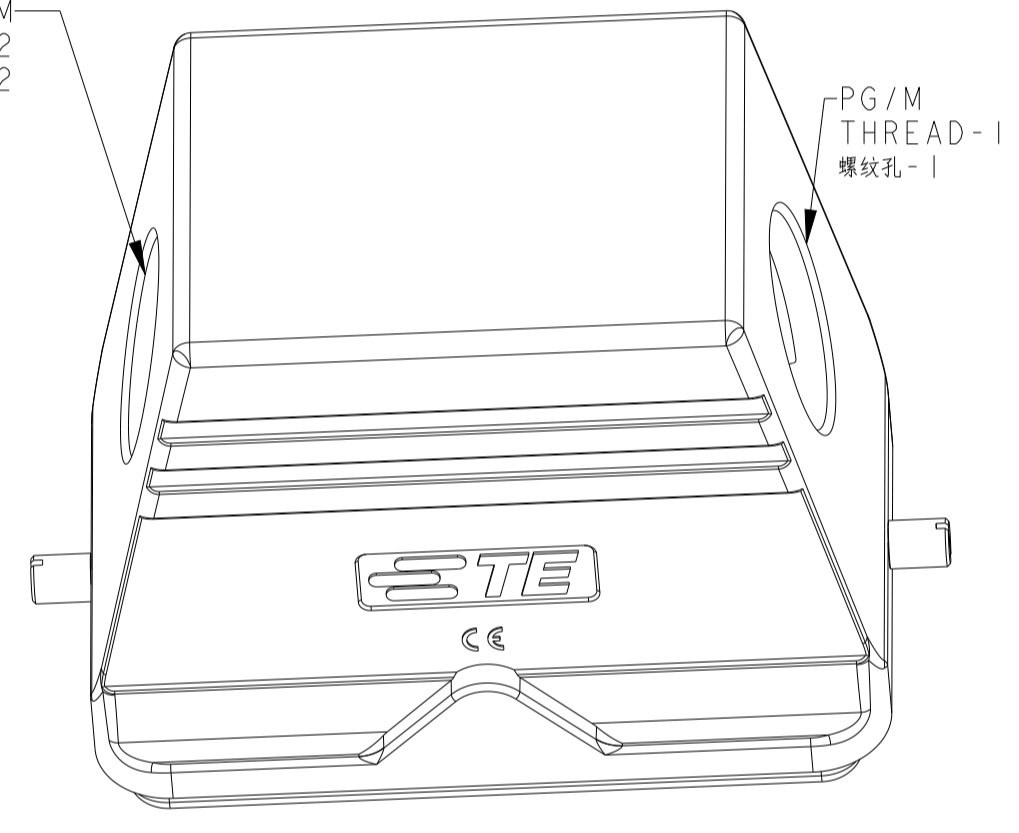
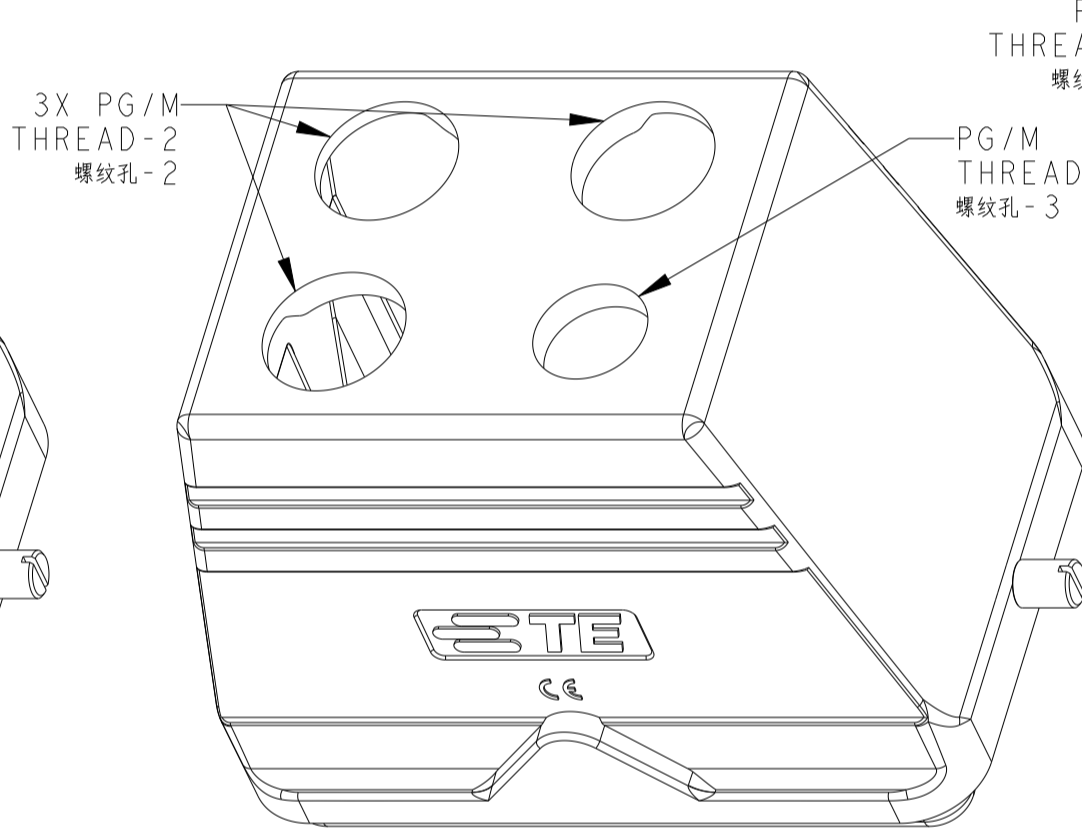
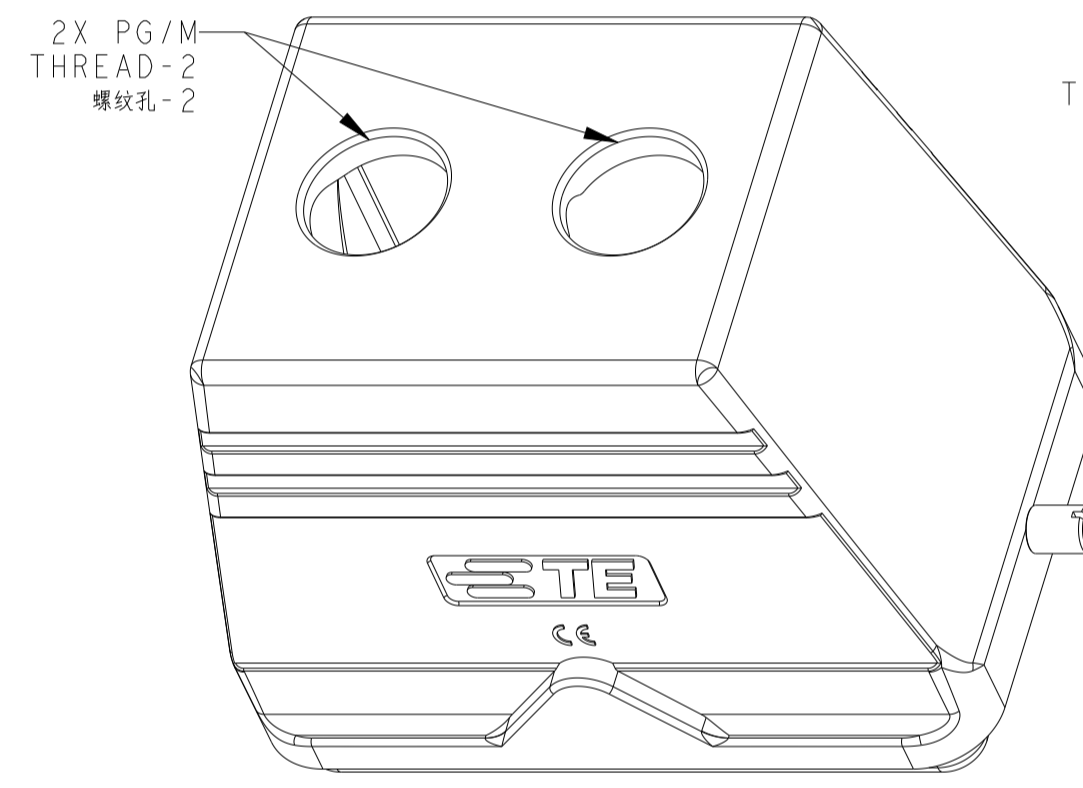
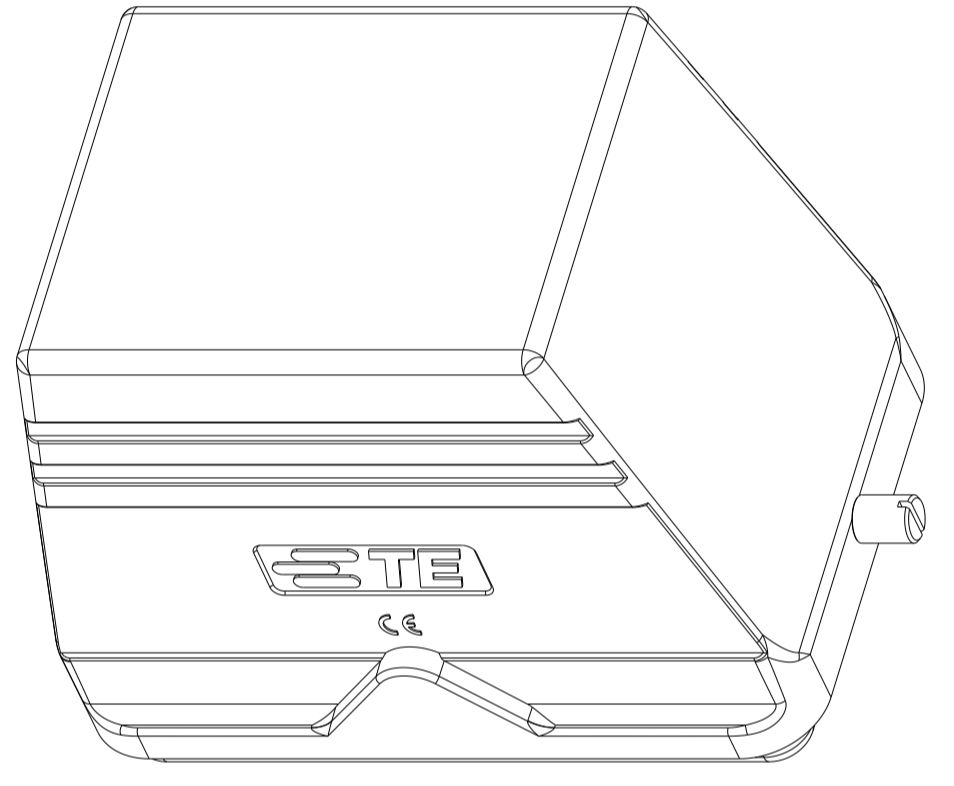
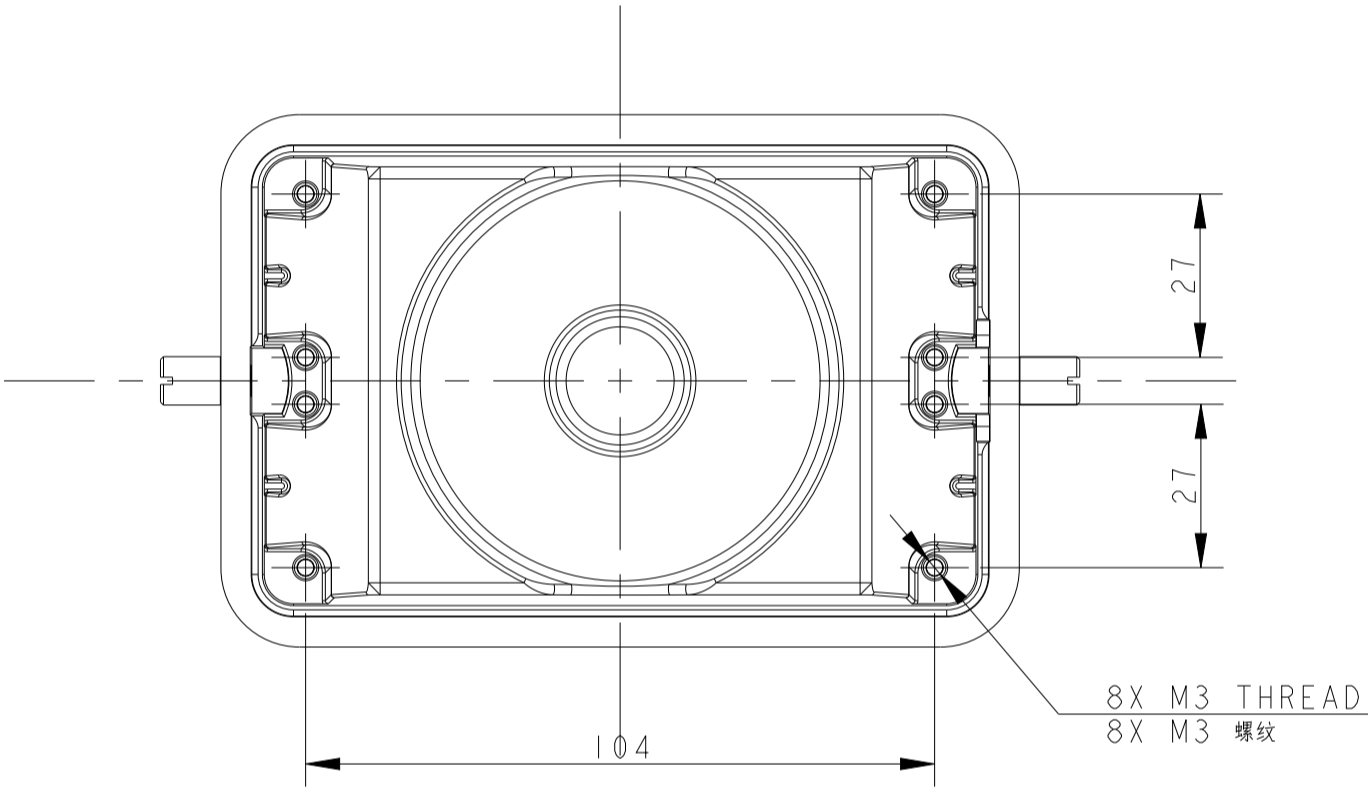
TYPE 3: H48B HOOD, TOP ENTRY, 2 EAR
OTHER SPEC REFER TO TYPE 1

TYPE 4: H48B HOOD, SIDE/TOP ENTRY, 2 EAR
OTHER SPEC REFER TO TYPE 1&TYPE 2

类型2: H48B上壳, 侧出, 2耳
未注规格参照类型1

类型3: H48B上壳, 顶出, 2耳
未注规格参照类型1

类型4: H48B上壳, 侧顶出, 2耳
未注规格参照类型1和类型2



TYPE 1: H48B HOOD, NO ENTRY, 2 EAR

类型1: H48B上壳, 无线孔, 2耳

TYPE 5: H48B HOOD, TOP ENTRY (2 HOLE), 2 EAR
OTHER SPEC REFER TO TYPE 1

类型5: H48B上壳, 顶出(2孔), 2耳
未注规格参照类型1

TYPE 6: H48B HOOD, TOP ENTRY (4 HOLE), 2 EAR
OTHER SPEC REFER TO TYPE 1

类型6: H48B上壳, 顶出(4孔), 2耳
未注规格参照类型1

TYPE 7: H48B HOOD, SIDE ENTRY (2 HOLE), 2 EAR
OTHER SPEC REFER TO TYPE 1

类型7: H48B上壳, 侧出(2孔), 2耳
未注规格参照类型1

T10X0480000-000	H48B-TG/S-RO-XX	H48B HOOD, NO ENTRY, 2 EAR, POWDER COATED, GREY H48B上壳, 无线孔, 2耳, 灰色粉末喷涂	-	-	-	TYPE 1
T1310480125-000	H48B-TS-RO-M25	H48B HOOD, SIDE ENTRY M25, 2 EAR, POWDER COATED, GREY H48B上壳, 侧出M25, 2耳, 灰色粉末喷涂	M25	-	-	TYPE 2
T1310480129-000	H48B-TS-RO-PG29	H48B HOOD, SIDE ENTRY PG29, 2 EAR, POWDER COATED, GREY H48B上壳, 侧出PG29, 2耳, 灰色粉末喷涂	PG29	-	-	
T1310480132-000	H48B-TS-RO-M32	H48B HOOD, SIDE ENTRY M32, 2 EAR, POWDER COATED, GREY H48B上壳, 侧出M32, 2耳, 灰色粉末喷涂	M32	-	-	
T1310480136-000	H48B-TS-RO-PG36	H48B HOOD, SIDE ENTRY PG36, 2 EAR, POWDER COATED, GREY H48B上壳, 侧出PG36, 2耳, 灰色粉末喷涂	PG36	-	-	
T1310480140-000	H48B-TS-RO-M40	H48B HOOD, SIDE ENTRY M40, 2 EAR, POWDER COATED, GREY H48B上壳, 侧出M40, 2耳, 灰色粉末喷涂	M40	-	-	TYPE 3
T1310480142-000	H48B-TS-RO-PG42	H48B HOOD, SIDE ENTRY PG42, 2 EAR, POWDER COATED, GREY H48B上壳, 侧出PG42, 2耳, 灰色粉末喷涂	PG42	-	-	
T1310480148-000	H48B-TS-RO-PG48	H48B HOOD, SIDE ENTRY PG48, 2 EAR, POWDER COATED, GREY H48B上壳, 侧出PG48, 2耳, 灰色粉末喷涂	PG48	-	-	
T1310480150-000	H48B-TS-RO-M50	H48B HOOD, SIDE ENTRY M50, 2 EAR, POWDER COATED, GREY H48B上壳, 侧出M50, 2耳, 灰色粉末喷涂	M50	-	-	
T1320480129-000	H48B-TG-RO-PG29	H48B HOOD, TOP ENTRY PG29, 2 EAR, POWDER COATED, GREY H48B上壳, 顶出PG29, 2耳, 灰色粉末喷涂	-	PG29	-	TYPE 4
T1320480132-000	H48B-TG-RO-M32	H48B HOOD, TOP ENTRY M32, 2 EAR, POWDER COATED, GREY H48B上壳, 顶出M32, 2耳, 灰色粉末喷涂	-	M32	-	
T1320480136-000	H48B-TG-RO-PG36	H48B HOOD, TOP ENTRY PG36, 2 EAR, POWDER COATED, GREY H48B上壳, 顶出PG36, 2耳, 灰色粉末喷涂	-	PG36	-	
T1320480140-000	H48B-TG-RO-M40	H48B HOOD, TOP ENTRY M40, 2 EAR, POWDER COATED, GREY H48B上壳, 顶出M40, 2耳, 灰色粉末喷涂	-	M40	-	
T1320480142-000	H48B-TG-RO-PG42	H48B HOOD, TOP ENTRY PG42, 2 EAR, POWDER COATED, GREY H48B上壳, 顶出PG42, 2耳, 灰色粉末喷涂	-	PG42	-	TYPE 5
T1320480150-000	H48B-TG-RO-M50	H48B HOOD, TOP ENTRY M50, 2 EAR, POWDER COATED, GREY H48B上壳, 顶出M50, 2耳, 灰色粉末喷涂	-	M50	-	
T1320480163-000	H48B-TG-RO-M63	H48B HOOD, TOP ENTRY M63, 2 EAR, POWDER COATED, GREY H48B上壳, 顶出M63, 2耳, 灰色粉末喷涂	-	M63	-	
T13204804040-000	H48B-TG/TS-RO-M40/M40	H48B HOOD, TOP/SIDE ENTRY M40, 2 EAR, POWDER COATED, GREY H48B上壳, 顶/侧出M40, 2耳, 灰色粉末喷涂	M40	M40	-	
T13204805040-000	H48B-TG/TS-RO-M50/M40	H48B HOOD, TOP/SIDE ENTRY M50, SIDE ENTRY M40, 2 EAR, POWDER COATED, GREY H48B上壳, 顶出M50, 侧出M40, 2耳, 灰色粉末喷涂	M40	M50	-	TYPE 6
T1320480225-000	H48B-TG-RO-2M25	H48B HOOD, TOP ENTRY 2M25, 2 EAR, POWDER COATED, GREY H48B上壳, 顶出2M25, 2耳, 灰色粉末喷涂	-	2X M25	-	
T1320482520-000	H48B-TG-3M25M20	H48B HOOD, TOP ENTRY 3M25, 1M20, 2 EAR, POWDER COATED, GREY H48B上壳, 顶出3M25, 1M20, 2耳, 灰色粉末喷涂	-	3X M25	M20	
T1310480229-000	H48B-TS-RO-2PG29	H48B HOOD, SIDE ENTRY 2PG29, 2 EAR, POWDER COATED, GREY H48B上壳, 侧出2PG29, 2耳, 灰色粉末喷涂	PG29	PG29	-	

PART NUMBER 料号	PART DESCRIPTION 描述	PG/M THREAD-1 螺紋孔-1	PG/M THREAD-2 螺紋孔-2	PG/M THREAD-3 螺紋孔-3	TYPE 类型
-------------------	------------------------	---------------------------	---------------------------	---------------------------	------------

NOTES:
1. TECHNICAL CHARACTERISTICS:
BODY MATERIAL: DIE CAST ALUMINIUM ALLOY
SURFACE TREATMENT: POWDER-COATED, GREY
DEGREE OF PROTECTION: IP65 (MATED)

注释:
1. 技术参数:
主体材料: 铝合金
表面处理: 灰色粉末喷涂
防护等级: IP65(配合)

THIS DRAWING IS A CONTROLLED DOCUMENT.		OWN: DAVID LI 08JUN2015	TE Connectivity NAME: H48B-TG/TS-RO-PG/M
DIMENSIONS:		CHK: CHRIS WANG 08JUN2015	
TOLERANCES UNLESS OTHERWISE SPECIFIED:		APVD: XU XIANG 08JUN2015	
0 PLC ± 1 PLC ± 2 PLC ± 3 PLC ± 4 PLC ± ANGLES ± FINISH ±		PRODUCT SPEC: 108-137013 APPLICATION SPEC: 114-137013	
MATERIAL:		WEIGHT:	SIZE: A1 CAGE CODE: - DRAWING NO: C-T13X048XXXX000
CUSTOMER DRAWING		SCALE: 1:1	RESTRICTED TO: - SHEET 1 OF 1 REV B

X-ON Electronics

Largest Supplier of Electrical and Electronic Components

Click to view similar products for [Heavy Duty Power Connectors](#) category:

Click to view products by [TE Connectivity](#) manufacturer:

Other Similar products are found below :

[647757-1](#) [6643411-1](#) [6646058-2](#) [6646137-1](#) [6646138-1](#) [6646479-1](#) [6646608-1](#) [6646786-1](#) [6646940-1](#) [6651091-1](#) [6651525-1](#) [6651529-1](#)
[6651788-1](#) [696475-1](#) [702-32-01109](#) [703-25-02205](#) [73000005059](#) [73000005642](#) [73080255059](#) [73080965046](#) [765-15-0080A](#) [765-16-0080B](#)
[765-18-0080D](#) [829992-1](#) [902-77-02113](#) [PS00/A0620/6300](#) [PS25/A0420/63](#) [129-1J](#) [1409400](#) [AN0024023](#) [E6374G1](#) [e6389g2](#) [157-43GW8](#)
[MS3117-14AC](#) [1643543-1](#) [1650540-1](#) [1651811-2](#) [1766260-1](#) [1766282-1](#) [1766966-1](#) [1791340000](#) [NLDFT-3-BL-L-S120-M40A](#) [NLDFT-N-](#)
[W-L-C240-M40B](#) [NLS-2-R-C240-M40B](#) [NLS-N-W-C240-M40B](#) [NPS-3-BL-T6](#) [1986615-1](#) [2-1589900-8](#) [2199314-1](#) [KA8102](#)