

THIS DRAWING IS UNPUBLISHED.

RELEASED FOR PUBLICATION

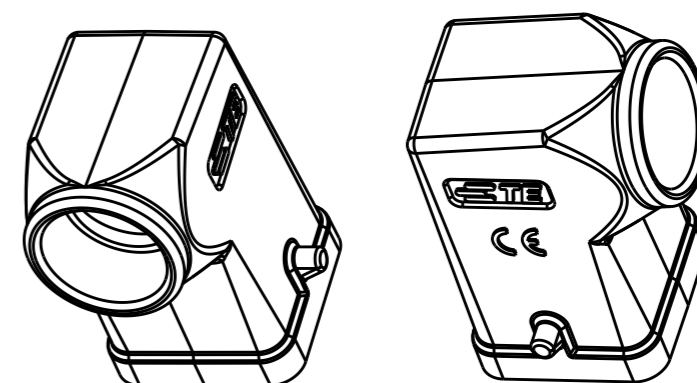
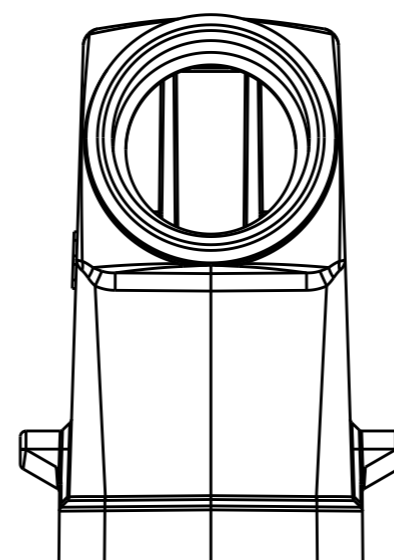
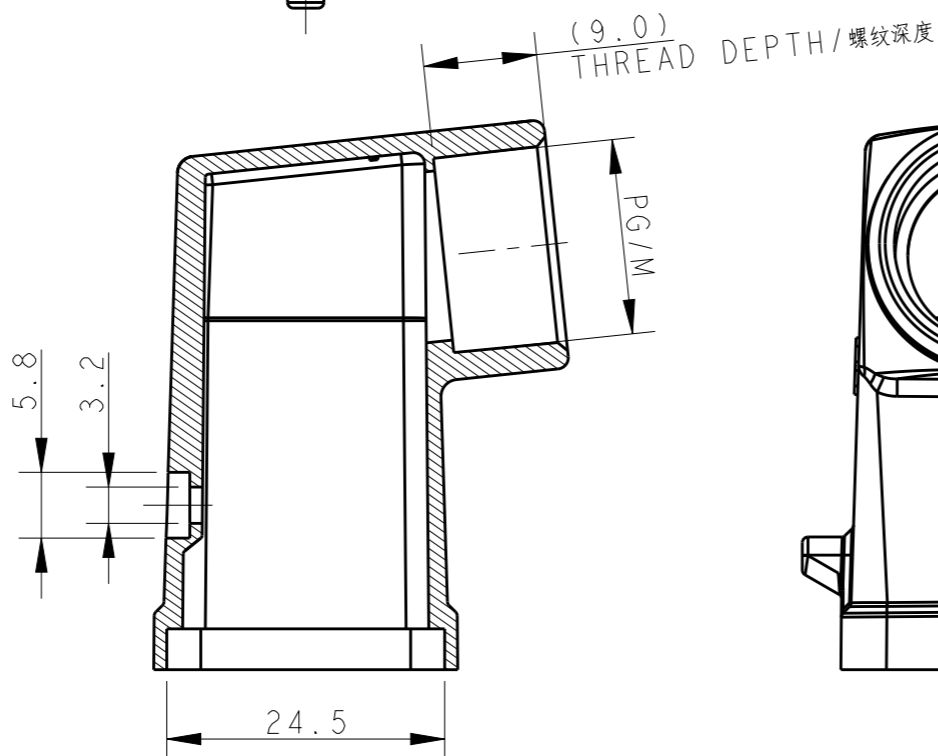
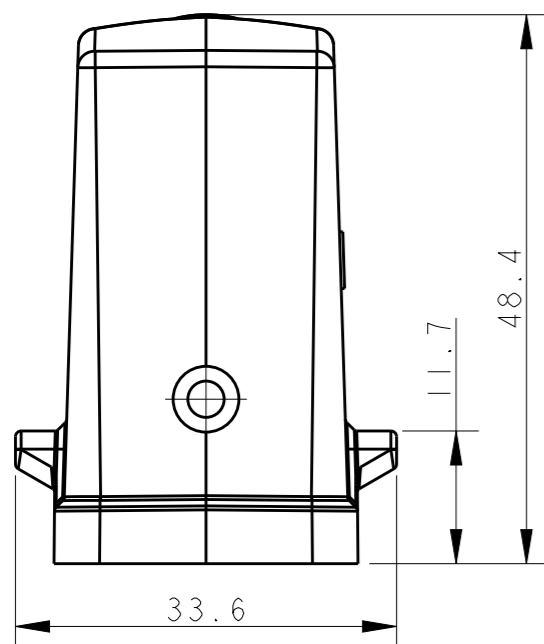
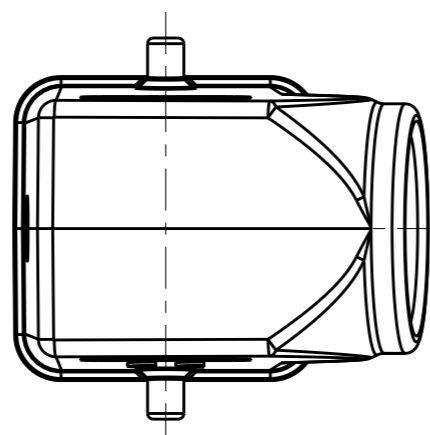
20

© COPYRIGHT 20 BY -

ALL RIGHTS RESERVED.

REVISIONS

| P | LTR | DESCRIPTION | DATE | DWN | APVD |
|---|-----|-----------------|-----------|-----|------|
| | A | INITIAL RELEASE | 21APR2015 | DL | CW |
| | A1 | ECR-17-009215 | 24JUN2017 | OY | CW |
| | B | ECR-20-007762 | 23NOV2020 | BS | CW |

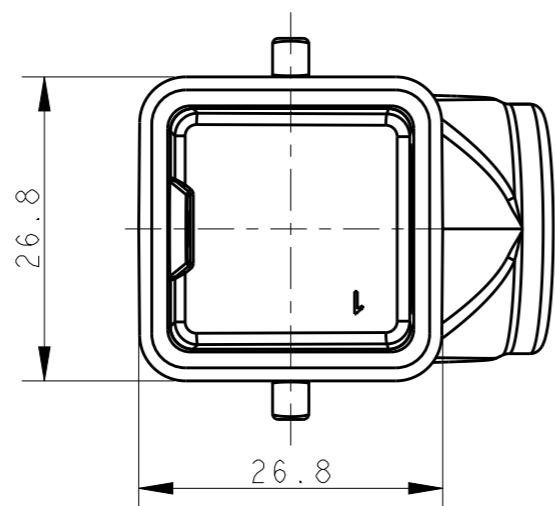


NOTES:

- 1. TECHNICAL CHARACTERISTICS:
 BODY MATERIAL: DIE CAST ZINC ALLOY
 SURFACE TREATMENT: POWDER-COATED, GRAY
 DEGREE OF PROTECTION: IP65 (MATED)

注释:

- 1. 技术参数:
 主体材料: 锌合金
 表面处理: 粉末喷涂, 灰色
 防护等级: IP65 (配合)



| | | | |
|-------------------|------------------------|--|---------|
| T1319030111-000 | H3A-MTS-PG11 | H3A HOOD, SIDE ENTRY PG11, 2 EAR, POWDER COATED, GREY H3A上壳, 侧出PG11, 2耳, 灰色粉末喷涂 | PG11 |
| T1319030120-000 | H3A-MTS-M20 | H3A HOOD, SIDE ENTRY M20, 2 EAR, POWDER COATED, GREY H3A上壳, 侧出M20, 2耳, 灰色粉末喷涂 | M20X1.5 |
| PART NUMBER 料号 | PART DESCRIPTION 描述 | | PG/M |

THIS DRAWING IS A CONTROLLED DOCUMENT.

| DIMENSIONS: | TOLERANCES UNLESS OTHERWISE SPECIFIED: |
|-------------|--|
| mm | |
| | 0 PLC ±- |
| | 1 PLC ±- |
| | 2 PLC ±- |
| | 3 PLC ±- |
| | 4 PLC ±- |
| | ANGLES ±- |
| MATERIAL | FINISH |
| - | - |
| - | - |

| | |
|------------------|------------|
| DWN | 21APR2015 |
| DAVID LI | |
| CHK | 21APR2015 |
| CHRIS WANG | |
| APVD | 21APR2015 |
| XU XIANG | |
| PRODUCT SPEC | 108-137012 |
| APPLICATION SPEC | 114-137012 |
| WEIGHT | - |
| CUSTOMER DRAWING | |

| | | | |
|-----------------|-----------|------------------|---------------|
| | | | |
| TE Connectivity | | | |
| NAME | | | |
| H3A-MTS-PG/M | | | |
| SIZE | CAGE CODE | DRAWING NO | RESTRICTED TO |
| A3 | - | ©-T13190301XX000 | |
| SCALE | | SHEET | REV |
| 3:2 | | 1 OF 1 | B |

X-ON Electronics

Largest Supplier of Electrical and Electronic Components

Click to view similar products for [Heavy Duty Power Connectors](#) category:

Click to view products by [TE Connectivity](#) manufacturer:

Other Similar products are found below :

[647757-1](#) [6643411-1](#) [6646058-2](#) [6646137-1](#) [6646138-1](#) [6646479-1](#) [6646608-1](#) [6646786-1](#) [6646940-1](#) [6651091-1](#) [6651525-1](#) [6651529-1](#)
[6651788-1](#) [696475-1](#) [702-32-01109](#) [703-25-02205](#) [73000005059](#) [73000005642](#) [73080255059](#) [73080965046](#) [765-15-0080A](#) [765-16-0080B](#)
[765-18-0080D](#) [829992-1](#) [902-77-02113](#) [PS00/A0620/6300](#) [PS25/A0420/63](#) [129-1J](#) [1409400](#) [AN0024023](#) [E6374G1](#) [e6389g2](#) [157-43GW8](#)
[MS3117-14AC](#) [1643543-1](#) [1650540-1](#) [1651811-2](#) [1766260-1](#) [1766282-1](#) [1766966-1](#) [1791340000](#) [NLDFT-3-BL-L-S120-M40A](#) [NLDFT-N-](#)
[W-L-C240-M40B](#) [NLS-2-R-C240-M40B](#) [NLS-N-W-C240-M40B](#) [NPS-3-BL-T6](#) [1986615-1](#) [2-1589900-8](#) [2199314-1](#) [KA8102](#)