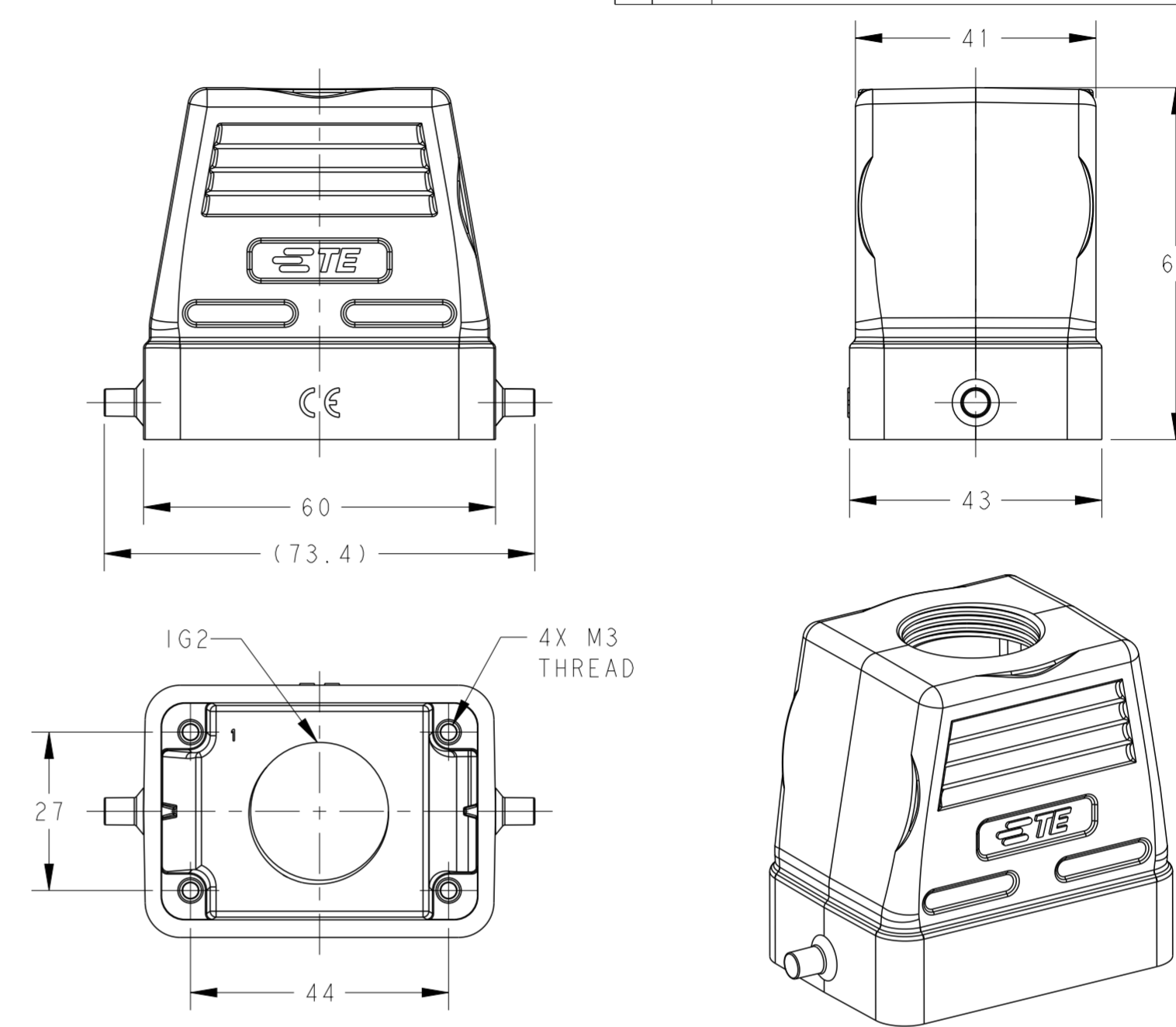
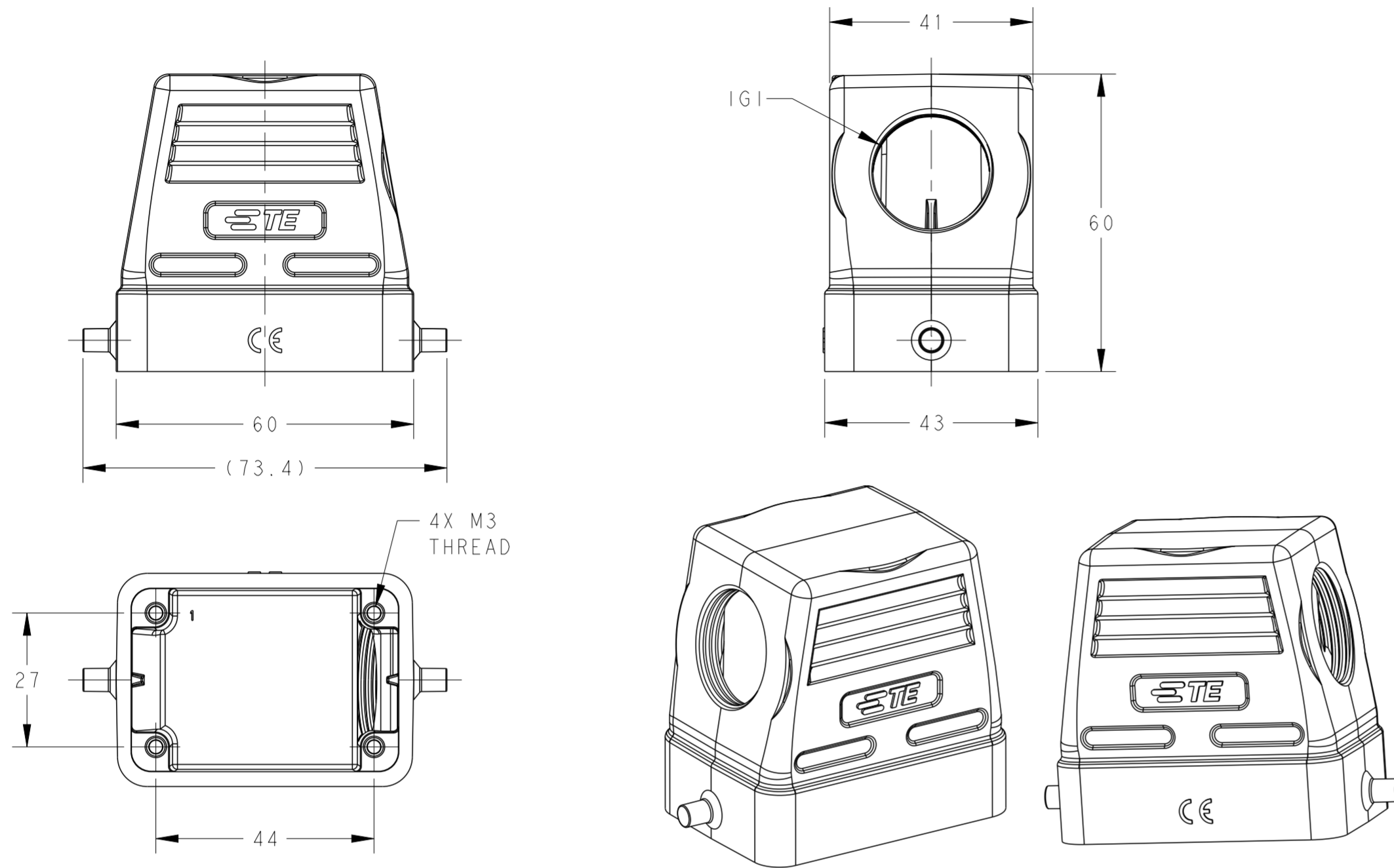


THIS DRAWING IS UNPUBLISHED. RELEASED FOR PUBLICATION 20
 © COPYRIGHT 20 BY - ALL RIGHTS RESERVED.

REVISIONS				
P	LTR	DESCRIPTION	DATE	APVD
A		INITIAL	05JUN2015	DW CW
A1		ECR-18-010109	09JUL2018	CD CW
A2		ECR-19-006712	15MAY2019	AL CW
B		ECR-20-007968	05JUN2020	WOR CW

TYPE 1: LOW CONSTRUCTION, SIDE ENTRY
 类型1: 低结构 侧出

TYPE 2: LOW CONSTRUCTION, TOP ENTRY
 类型2: 低结构, 顶出



T1310060105-000	H6B-TS-G1/2	H6B HOOD, SIDE ENTRY G1/2, 2 EAR, POWDER COATED, GREY H6B上壳, 侧出G1/2, 2耳, 灰色粉末喷涂	G1/2	-	TYPE1
T1310060111-000	H6B-TS-PG11	H6B HOOD, SIDE ENTRY PG11, 2 EAR, POWDER COATED, GREY H6B上壳, 侧出PG11, 2耳, 灰色粉末喷涂	PG11	-	
T1310060113-000	H6B-TS-PG13.5	H6B HOOD, SIDE ENTRY PG13.5, 2 EAR, POWDER COATED, GREY H6B上壳, 侧出PG13.5, 2耳, 灰色粉末喷涂	PG13.5	-	
T1310060116-000	H6B-TS-PG16	H6B HOOD, SIDE ENTRY PG16, 2 EAR, POWDER COATED, GREY H6B上壳, 侧出PG16, 2耳, 灰色粉末喷涂	PG16	-	
T1310060120-000	H6B-TS-M20	H6B HOOD, SIDE ENTRY M20, 2 EAR, POWDER COATED, GREY H6B上壳, 侧出M20, 2耳, 灰色粉末喷涂	M20	-	
T1310060121-000	H6B-TS-PG21	H6B HOOD, SIDE ENTRY PG21, 2 EAR, POWDER COATED, GREY H6B上壳, 侧出PG21, 2耳, 灰色粉末喷涂	PG21	-	
T1310060125-000	H6B-TS-M25	H6B HOOD, SIDE ENTRY M25, 2 EAR, POWDER COATED, GREY H6B上壳, 侧出M25, 2耳, 灰色粉末喷涂	M25	-	
T1320060113-000	H6B-TG-PG13.5	H6B HOOD, TOP ENTRY PG13.5, 2 EAR, POWDER COATED, GREY H6B上壳, 顶出PG13.5, 2耳, 灰色粉末喷涂	-	PG13.5	TYPE2
T1320060116-000	H6B-TG-PG16	H6B HOOD, TOP ENTRY PG16, 2 EAR, POWDER COATED, GREY H6B上壳, 顶出PG16, 2耳, 灰色粉末喷涂	-	PG16	
T1320060120-000	H6B-TG-M20	H6B HOOD, TOP ENTRY M20, 2 EAR, POWDER COATED, GREY H6B上壳, 顶出M20, 2耳, 灰色粉末喷涂	-	M20	
T1320060121-000	H6B-TG-PG21	H6B HOOD, TOP ENTRY PG21, 2 EAR, POWDER COATED, GREY H6B上壳, 顶出PG21, 2耳, 灰色粉末喷涂	-	PG21	
T1320060125-000	H6B-TG-M25	H6B HOOD, TOP ENTRY M25, 2 EAR, POWDER COATED, GREY H6B上壳, 顶出M25, 2耳, 灰色粉末喷涂	-	M25	
T1320060132-000	H6B-TG-M32	H6B HOOD, TOP ENTRY M32, 2 EAR, POWDER COATED, GREY H6B上壳, 顶出M32, 2耳, 灰色粉末喷涂	-	M32	
T1323060120-000	H6B-TG-M20	H6B HOOD, TOP ENTRY M20, 2 EAR, POWDER COATED, RED H6B上壳, 顶出M20, 2耳, 红色粉末喷涂	-	M20	
ASSEMBLY PART NUMBER 成品料号	ASSEMBLY PART DESCRIPTION 成品描述		IG1	IG2	TYPE

NOTES:
 1. TECHNICAL CHARACTERISTICS:
 HOOD MATERIAL: DIE CAST ALUMINIUM ALLOY
 SURFACE: POWDER COATED, GREY / RED
 DEGREE OF PROTECTION: IP65 (MATED)

注释:
 1. 技术参数:
 上壳材料: 铝合金
 表面处理: 粉末喷涂, 灰色或红色
 防护等级: IP65(配合)

THIS DRAWING IS A CONTROLLED DOCUMENT.		DWN David Wang 05JUN2015	TE Connectivity	
DIMENSIONS: mm		CHK Chris Wang 05JUN2015		
TOLERANCES UNLESS OTHERWISE SPECIFIED:		APVD Xiang Xu 05JUN2015	NAME H6B-TS/TG/TSH/TGH-M/PG	
0 PLC ±		PRODUCT SPEC 108-137013	SIZE CAGE CODE DRAWING NO RESTRICTED TO	
1 PLC ±		APPLICATION SPEC 114-137013	A200779 C-T13X00601XX000	
2 PLC ±		WEIGHT -	SCALE 1:1 SHEET 1 OF 2 REV B	
3 PLC ±		Customer Drawing		
4 PLC ±				
ANGLES ±				
FINISH -				
-				

THIS DRAWING IS UNPUBLISHED. RELEASED FOR PUBLICATION 20
 © COPYRIGHT 20 BY - ALL RIGHTS RESERVED.

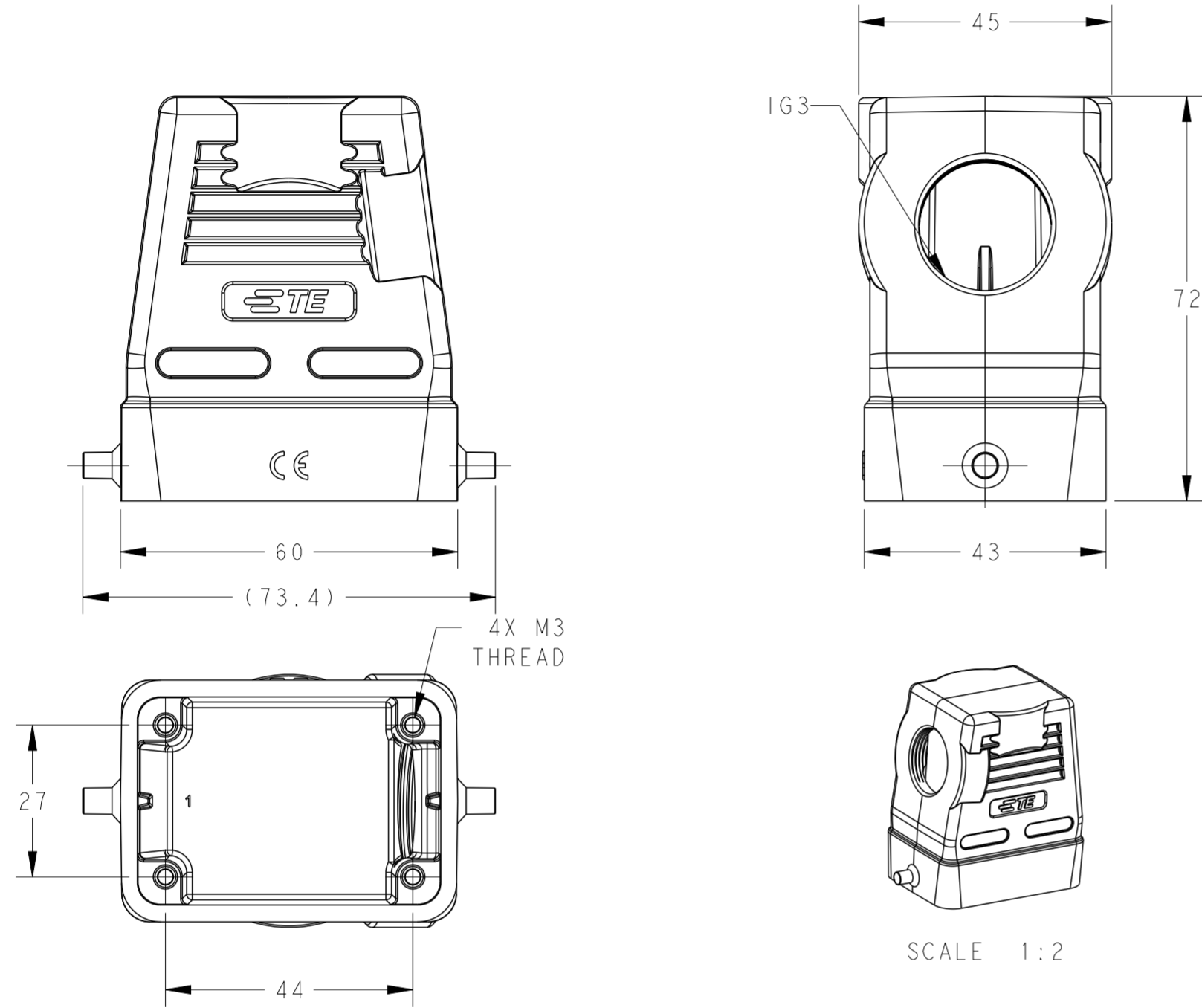
REVISIONS				
P	LTR	DESCRIPTION	DATE	APVD
-	-	SEE SHEET 1	-	-

TYPE 3: HIGH CONSTRUCTION, SIDE ENTRY

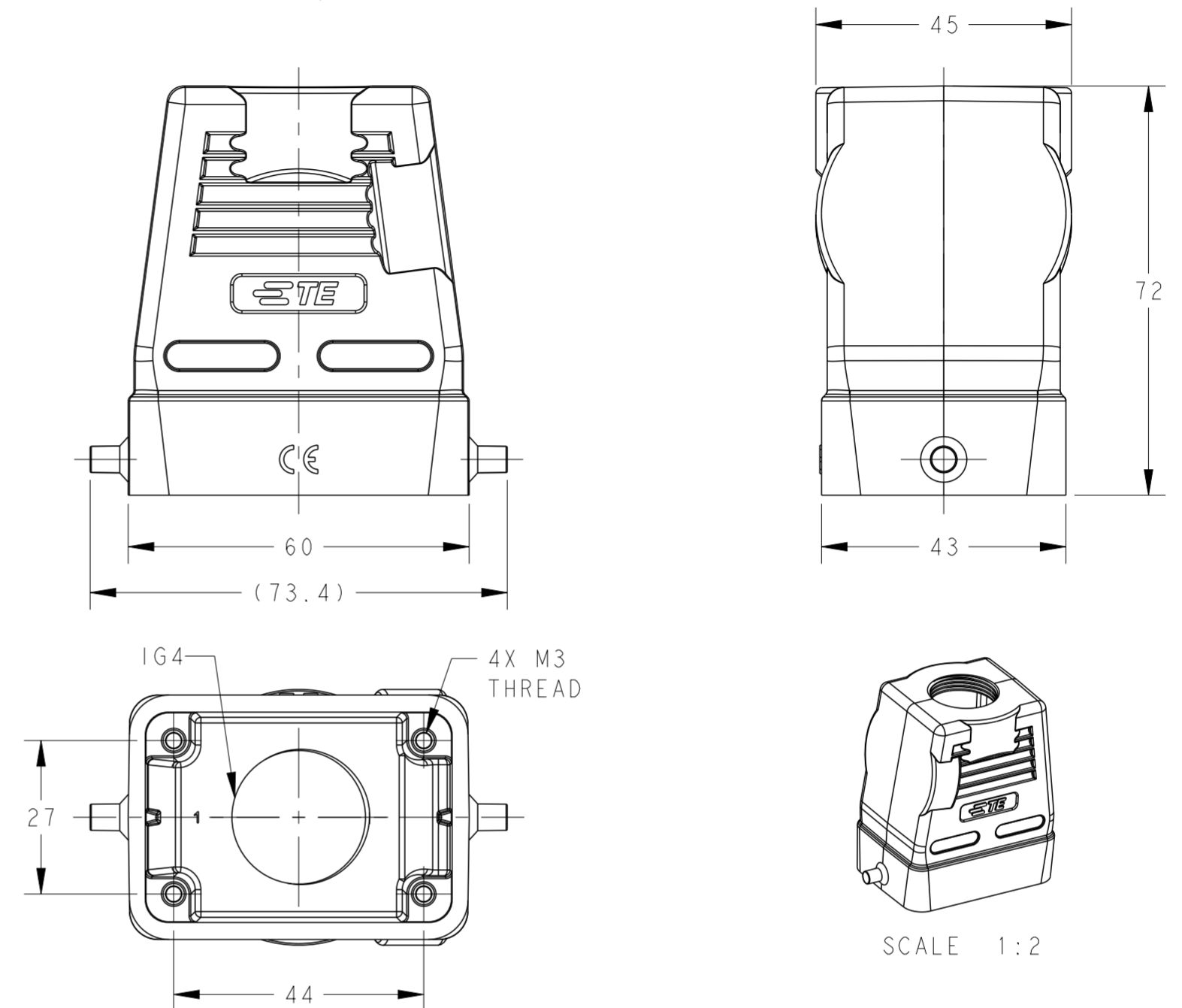
类型3: 高结构, 侧出

TYPE 4: HIGH CONSTRUCTION, TOP ENTRY

类型4: 高结构, 顶出



SCALE 1:2



SCALE 1:2

NOTES:
SEE SHEET 1
备注:
见表格 1

T1330060106-000	H6B-TSH-M16	H6B HOOD, SIDE ENTRY M16, 2 EAR, HIGH CONSTRUCTION, POWDER COATED, GREY H6B上壳, 侧出M16, 2耳, 高结构, 灰色粉末喷涂	M16	-	TYPE 3
T1330060113-000	H6B-TSH-PG13.5	H6B HOOD, SIDE ENTRY PG13.5, 2 EAR, HIGH CONSTRUCTION, POWDER COATED, GREY H6B上壳, 侧出PG13.5, 2耳, 高结构, 灰色粉末喷涂	PG13.5	-	
T1330060116-000	H6B-TSH-PG16	H6B HOOD, SIDE ENTRY PG16, 2 EAR, HIGH CONSTRUCTION, POWDER COATED, GREY H6B上壳, 侧出PG16, 2耳, 高结构, 灰色粉末喷涂	PG16	-	
T1330060120-000	H6B-TSH-M20	H6B HOOD, SIDE ENTRY M20, 2 EAR, HIGH CONSTRUCTION, POWDER COATED, GREY H6B上壳, 侧出M20, 2耳, 高结构, 灰色粉末喷涂	M20	-	
T1330060121-000	H6B-TSH-PG21	H6B HOOD, SIDE ENTRY PG21, 2 EAR, HIGH CONSTRUCTION, POWDER COATED, GREY H6B上壳, 侧出PG21, 2耳, 高结构, 灰色粉末喷涂	PG21	-	
T1330060125-000	H6B-TSH-M25	H6B HOOD, SIDE ENTRY M25, 2 EAR, HIGH CONSTRUCTION, POWDER COATED, GREY H6B上壳, 侧出M25, 2耳, 高结构, 灰色粉末喷涂	M25	-	
T1330060129-000	H6B-TSH-PG29	H6B HOOD, SIDE ENTRY PG29, 2 EAR, HIGH CONSTRUCTION, POWDER COATED, GREY H6B上壳, 侧出PG29, 2耳, 高结构, 灰色粉末喷涂	PG29	-	
T1330060132-000	H6B-TSH-M32	H6B HOOD, SIDE ENTRY M32, 2 EAR, HIGH CONSTRUCTION, POWDER COATED, GREY H6B上壳, 侧出M32, 2耳, 高结构, 灰色粉末喷涂	M32	-	TYPE 4
T1340060120-000	H6B-TGH-M20	H6B HOOD, TOP ENTRY M20, 2 EAR, HIGH CONSTRUCTION, POWDER COATED, GREY H6B上壳, 顶出M20, 2耳, 高结构, 灰色粉末喷涂	-	M20	
T1340060121-000	H6B-TGH-PG21	H6B HOOD, TOP ENTRY PG21, 2 EAR, HIGH CONSTRUCTION, POWDER COATED, GREY H6B上壳, 顶出PG21, 2耳, 高结构, 灰色粉末喷涂	-	PG21	
T1340060125-000	H6B-TGH-M25	H6B HOOD, TOP ENTRY M25, 2 EAR, HIGH CONSTRUCTION, POWDER COATED, GREY H6B上壳, 顶出M25, 2耳, 高结构, 灰色粉末喷涂	-	M25	
T1340060129-000	H6B-TGH-PG29	H6B HOOD, TOP ENTRY PG29, 2 EAR, HIGH CONSTRUCTION, POWDER COATED, GREY H6B上壳, 顶出PG29, 2耳, 高结构, 灰色粉末喷涂	-	PG29	
T1340060130-000	H6B-TGH-M30	H6B HOOD, TOP ENTRY M30, 2 EAR, HIGH CONSTRUCTION, POWDER COATED, GREY H6B上壳, 顶出M30, 2耳, 高结构, 灰色粉末喷涂	-	M30	
T1340060132-000	H6B-TGH-M32	H6B HOOD, TOP ENTRY M32, 2 EAR, HIGH CONSTRUCTION, POWDER COATED, GREY H6B上壳, 顶出M32, 2耳, 高结构, 灰色粉末喷涂	-	M32	
T1340067134-000	H6B-TGH-NPT3/4	H6B HOOD, TOP ENTRY NPT3/4, 2 EAR, HIGH CONSTRUCTION, POWDER COATED, GREY H6B上壳, 顶出NPT3/4, 2耳, 高结构, 灰色粉末喷涂	-	NPT3/4	
ASSEMBLY PART NUMBER 成品料号	ASSEMBLY PART DESCRIPTION 成品描述		IG3	IG4	TYPE

THIS DRAWING IS A CONTROLLED DOCUMENT.		DWN 05JUN2015 David Wang	STE TE Connectivity
DIMENSIONS: mm		CHK 05JUN2015 Chris Wang	
TOLERANCES UNLESS OTHERWISE SPECIFIED:		APVD 05JUN2015 Xiang Xu	NAME H6B-TS/TG/TSH/TGH-M/PG
0 PLC ± 1 PLC ± 2 PLC ± 3 PLC ± 4 PLC ± ANGLES ±		PRODUCT SPEC 108-137013	SIZE A200779
MATERIAL -		APPLICATION SPEC 114-137013	DRAWING NO C-T13X00601XX000
FINISH -		WEIGHT -	RESTRICTED TO -
		Customer Drawing	SCALE 1:1 SHEET 2 OF 2 REV B

X-ON Electronics

Largest Supplier of Electrical and Electronic Components

Click to view similar products for [Heavy Duty Power Connectors](#) category:

Click to view products by [TE Connectivity](#) manufacturer:

Other Similar products are found below :

[647757-1](#) [6643411-1](#) [6646058-2](#) [6646137-1](#) [6646138-1](#) [6646479-1](#) [6646608-1](#) [6646786-1](#) [6646940-1](#) [6651091-1](#) [6651525-1](#) [6651529-1](#)
[6651788-1](#) [696475-1](#) [702-32-01109](#) [703-25-02205](#) [73000005059](#) [73000005642](#) [73080255059](#) [73080965046](#) [765-15-0080A](#) [765-16-0080B](#)
[765-18-0080D](#) [829992-1](#) [902-77-02113](#) [PS00/A0620/6300](#) [PS25/A0420/63](#) [129-1J](#) [1409400](#) [AN0024023](#) [E6374G1](#) [e6389g2](#) [157-43GW8](#)
[MS3117-14AC](#) [1643543-1](#) [1650540-1](#) [1651811-2](#) [1766260-1](#) [1766282-1](#) [1766966-1](#) [1791340000](#) [NLDFT-3-BL-L-S120-M40A](#) [NLDFT-N-](#)
[W-L-C240-M40B](#) [NLS-2-R-C240-M40B](#) [NLS-N-W-C240-M40B](#) [NPS-3-BL-T6](#) [1986615-1](#) [2-1589900-8](#) [2199314-1](#) [KA8102](#)