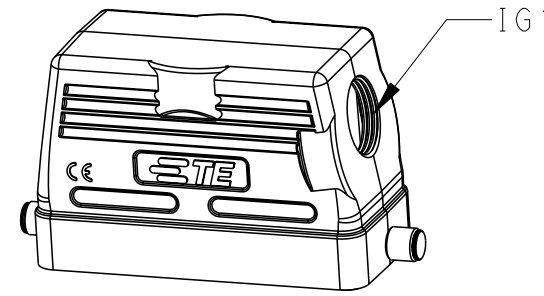
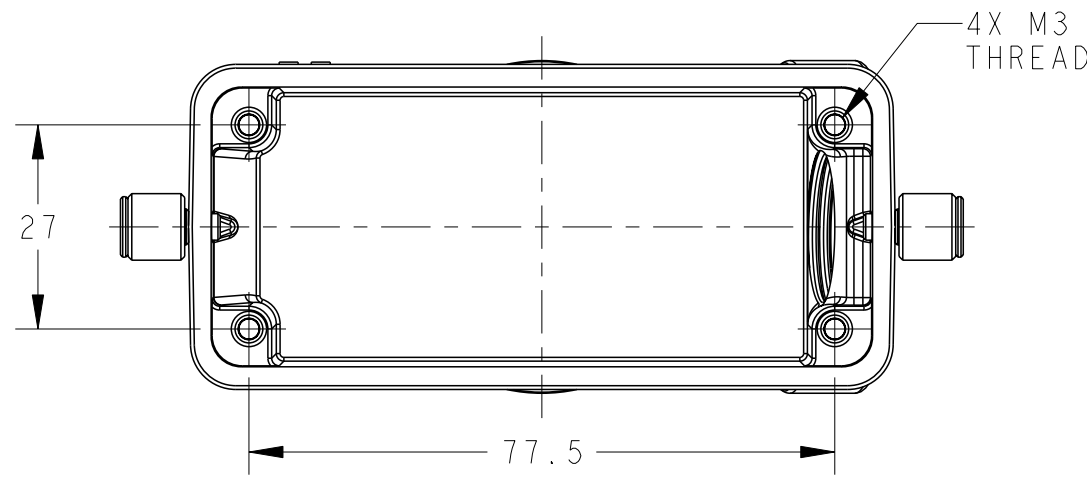
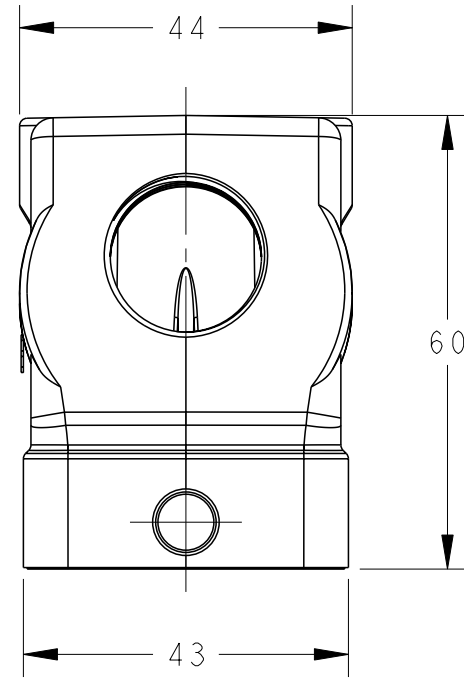
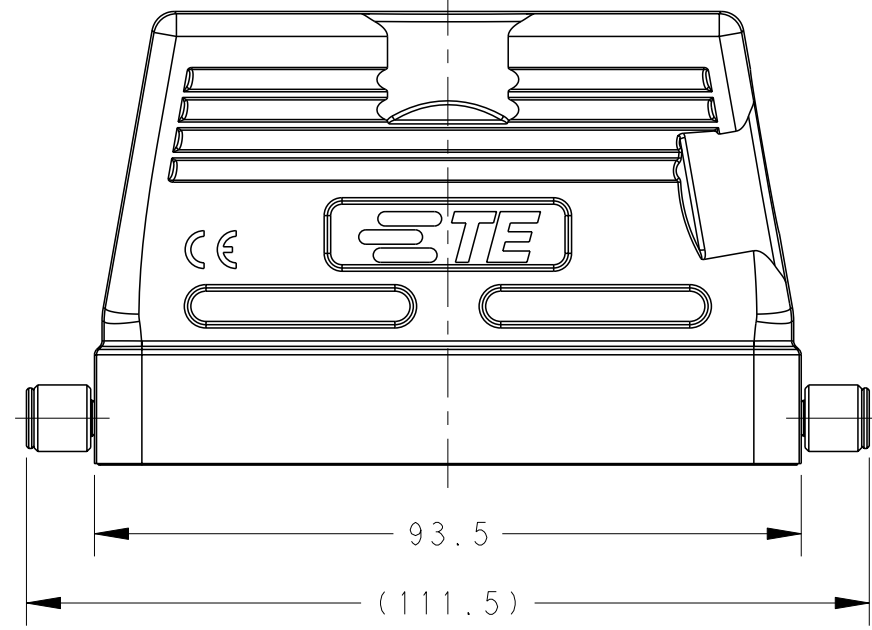


THIS DRAWING IS UNPUBLISHED. RELEASED FOR PUBLICATION 20  
 © COPYRIGHT 20 BY - ALL RIGHTS RESERVED.

REVISIONS				
P	LTR	DESCRIPTION	DATE	APVD
A		INITIAL	25MAY2015	DW CW
A1		ECR-18-017123	05DEC2018	KW CW
B		ECR-20-008190	20AUG2020	WQR CW
B1		ECR-21-105138	29JUN2021	WQR CW

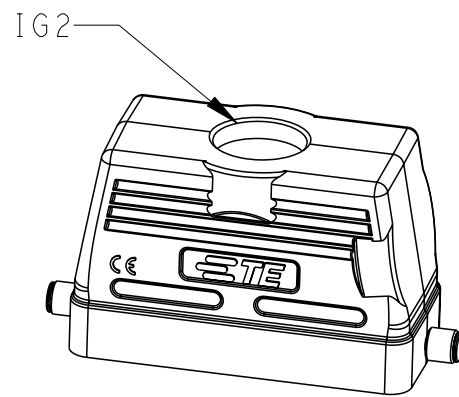
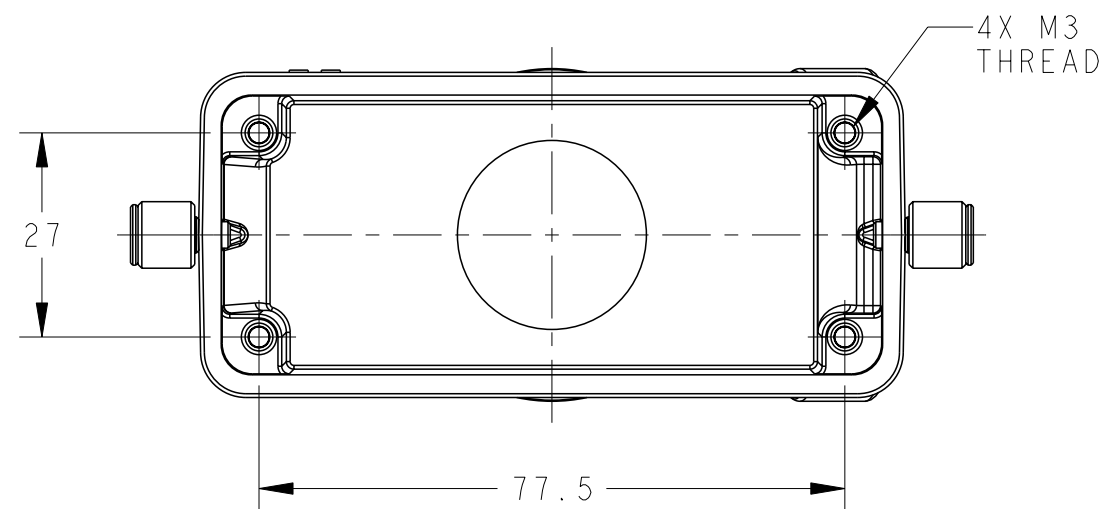
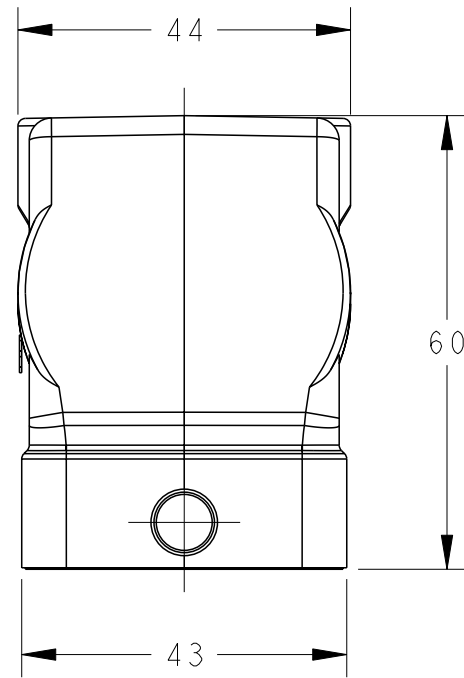
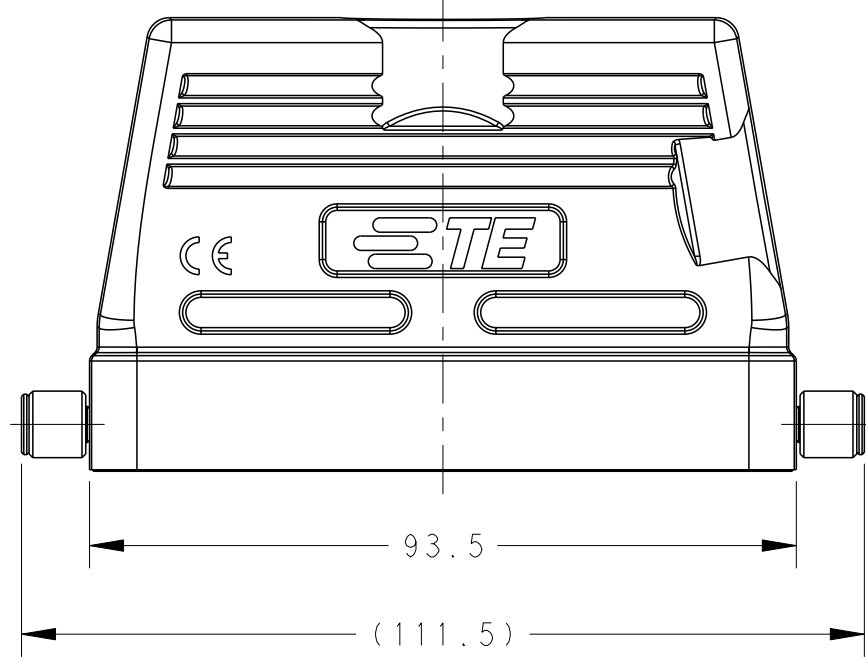


SCALE 1:2

TYPE 1: LOW CONSTRUCTION, SIDE ENTRY

NOTES:  
 1. TECHNICAL CHARACTERISTICS:  
 HOOD MATERIAL: DIE CAST ALUMINIUM ALLOY  
 SURFACE: POWDER COATED, GREY  
 DEGREE OF PROTECTION: IP65 (MATED)

注释:  
 1. 技术参数:  
 上壳材料: 铝合金  
 表面处理: 粉末涂层, 灰色  
 防护等级: IP65(配合)



SCALE 1:2

TYPE 2: LOW CONSTRUCTION, TOP ENTRY

PART NUMBER	料号	DESCRIPTION	描述	IG1	IG2	TYPE	类型
T1310160120-000	H16B-TS-RO-M20	H16B HOOD, SIDE ENTRY M20, 2 EAR, POWDER COATED, GREY H16B上壳, 侧出M20, 2耳, 灰色粉末喷涂	M20	-		TYPE 1	
T1310160121-000	H16B-TS-RO-PG21	H16B HOOD, SIDE ENTRY PG21, 2 EAR, POWDER COATED, GREY H16B上壳, 侧出PG21, 2耳, 灰色粉末喷涂	PG21	-			
T1310160125-000	H16B-TS-RO-M25	H16B HOOD, SIDE ENTRY M25, 2 EAR, POWDER COATED, GREY H16B上壳, 侧出M25, 2耳, 灰色粉末喷涂	M25	-			
T1310160132-000	H16B-TS-RO-M32	H16B HOOD, SIDE ENTRY M32, 2 EAR, POWDER COATED, GREY H16B上壳, 侧出M32, 2耳, 灰色粉末喷涂	M32	-			
T1320160113-000	H16B-TG-RO-PG13	H16B HOOD, TOP ENTRY PG13.5, 2 EAR, POWDER COATED, GREY H16B上壳, 顶出PG13.5, 2耳, 灰色粉末喷涂	-	PG13.5		TYPE 2	
T1320160121-000	H16B-TG-RO-PG21	H16B HOOD, TOP ENTRY PG21, 2 EAR, POWDER COATED, GREY H16B上壳, 顶出PG21, 2耳, 灰色粉末喷涂	-	PG21			
T1320160125-000	H16B-TG-RO-M25	H16B HOOD, TOP ENTRY M25, 2 EAR, POWDER COATED, GREY H16B上壳, 顶出M25, 2耳, 灰色粉末喷涂	-	M25			
T1320160132-000	H16B-TG-RO-M32	H16B HOOD, TOP ENTRY M32, 2 EAR, POWDER COATED, GREY H16B上壳, 顶出M32, 2耳, 灰色粉末喷涂	-	M32			

THIS DRAWING IS A CONTROLLED DOCUMENT.

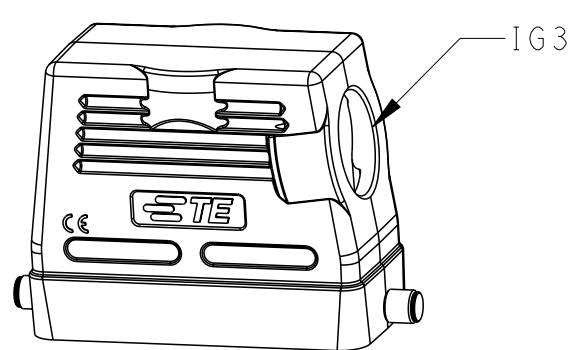
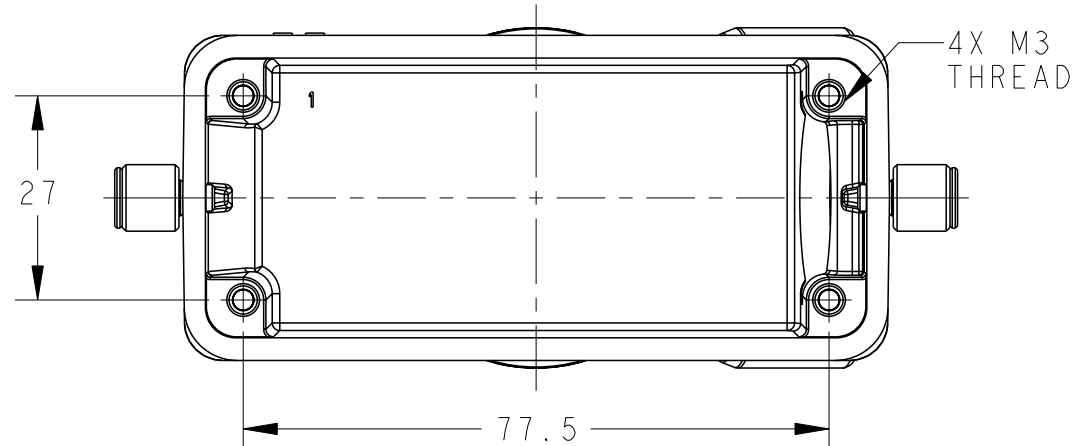
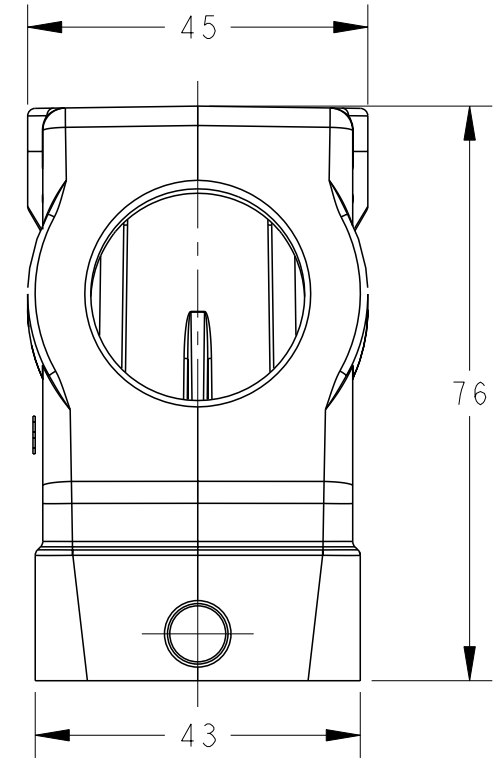
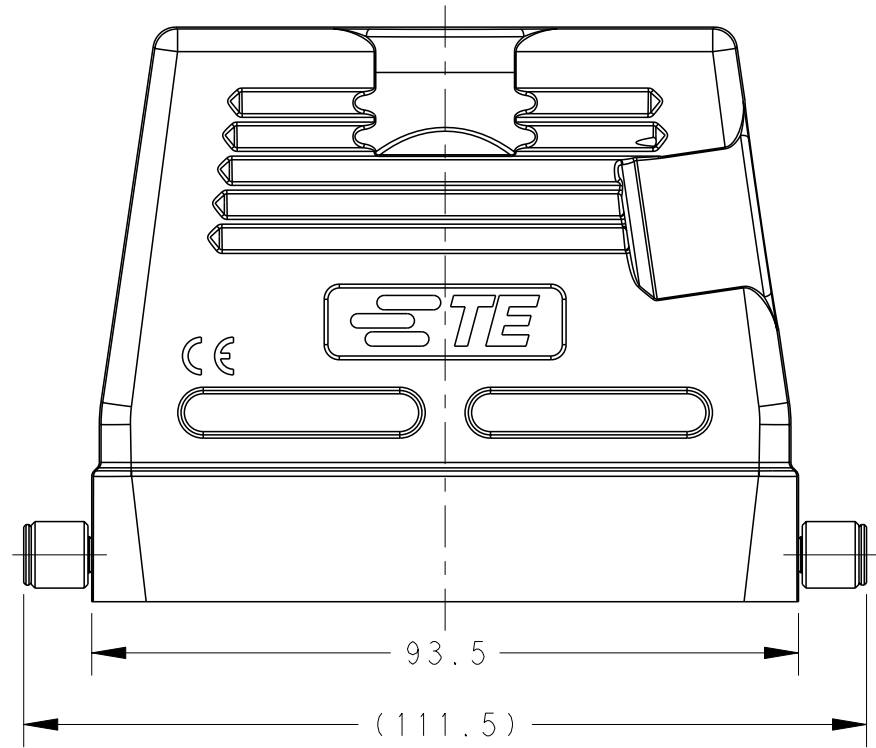
DWN David Wang 25MAY2015	TE Connectivity	NAME H16B-TS/TG/TSH/TGH-RO-M/PG			
CHK Chris Wang 25MAY2015					
APVD Xiang Xu 25MAY2015					
PRODUCT SPEC 108-137013					
MATERIAL -	APPLICATION SPEC 114-137013	SIZE A2	CAGE CODE 00779	DRAWING NO. C-T13X01601XX000	RESTRICTED TO -
TOLERANCES UNLESS OTHERWISE SPECIFIED:	WEIGHT -	SCALE 1:1		SHEET 1 OF 2	REV B1

Customer Drawing

Printed on 2 Jul 2021 11:15 (China Standard Time) from TE343646

THIS DRAWING IS UNPUBLISHED. RELEASED FOR PUBLICATION 20  
 © COPYRIGHT 20 BY - ALL RIGHTS RESERVED.

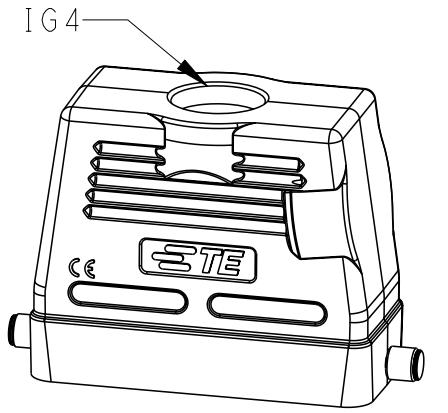
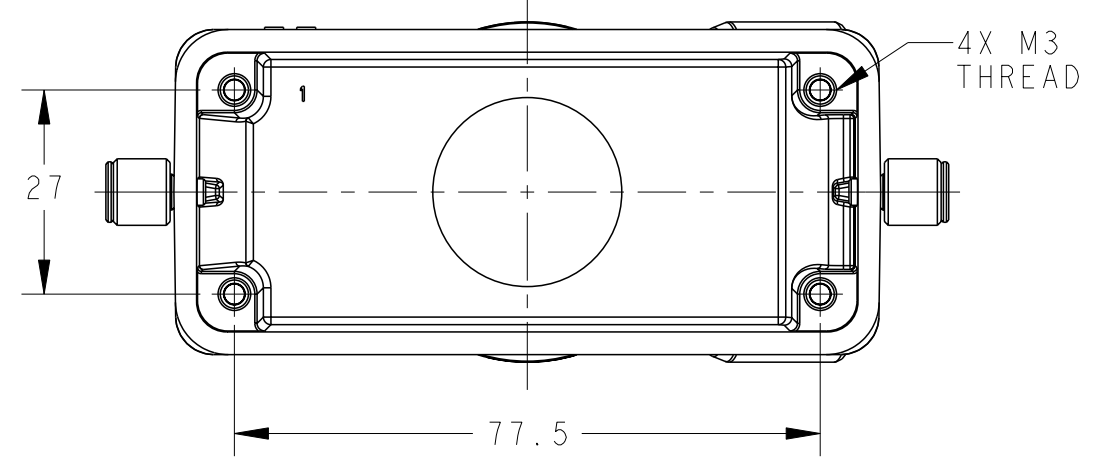
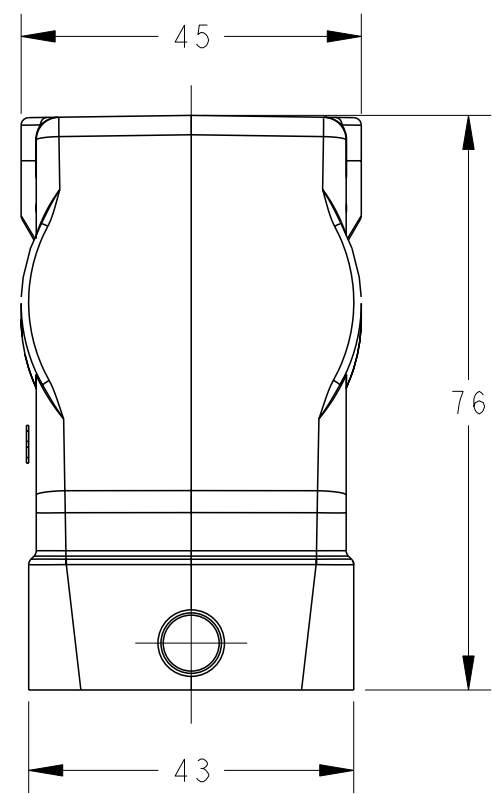
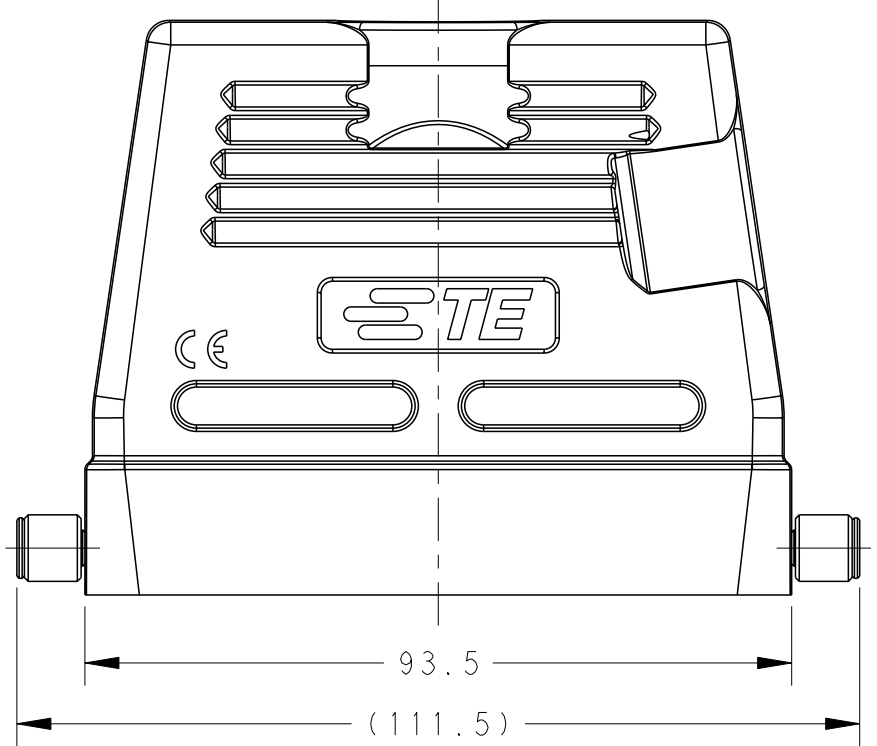
REVISIONS				
P	LTR	DESCRIPTION	DATE	APVD
-		SEE SHEET 1	-	-



SCALE 1:2

TYPE 3: HIGH CONSTRUCTION, SIDE ENTRY

NOTES:  
SEE SHEET 1



SCALE 1:2

TYPE 4: HIGH CONSTRUCTION, TOP ENTRY

PART NUMBER	DESCRIPTION	IG3	IG4	TYPE
T1330160121-000	H16B-TSH-RO-PG21 H16B HOOD, SIDE ENTRY PG21, 2 EAR, HIGH CONSTRUCTION, POWDER COATED, GREY H16B上壳, 侧出PG21, 2耳, 高结构, 灰色粉末喷涂	PG21	-	TYPE 3
T1330160125-000	H16B-TSH-RO-M25 H16B HOOD, SIDE ENTRY M25, 2 EAR, HIGH CONSTRUCTION, POWDER COATED, GREY H16B上壳, 侧出M25, 2耳, 高结构, 灰色粉末喷涂	M25	-	
T1330160129-000	H16B-TSH-RO-PG29 H16B HOOD, SIDE ENTRY PG29, 2 EAR, HIGH CONSTRUCTION, POWDER COATED, GREY H16B上壳, 侧出PG29, 2耳, 高结构, 灰色粉末喷涂	PG29	-	
T1330160132-000	H16B-TSH-RO-M32 H16B HOOD, SIDE ENTRY M32, 2 EAR, HIGH CONSTRUCTION, POWDER COATED, GREY H16B上壳, 侧出M32, 2耳, 高结构, 灰色粉末喷涂	M32	-	
T1340160121-000	H16B-TGH-RO-PG21 H16B HOOD, TOP ENTRY PG21, 2 EAR, HIGH CONSTRUCTION, POWDER COATED, GREY H16B上壳, 顶出PG21, 2耳, 高结构, 灰色粉末喷涂	-	PG21	TYPE 4
T1340160125-000	H16B-TGH-RO-M25 H16B HOOD, TOP ENTRY M25, 2 EAR, HIGH CONSTRUCTION, POWDER COATED, GREY H16B上壳, 顶出M25, 2耳, 高结构, 灰色粉末喷涂	-	M25	
T1340160129-000	H16B-TGH-RO-PG29 H16B HOOD, TOP ENTRY PG29, 2 EAR, HIGH CONSTRUCTION, POWDER COATED, GREY H16B上壳, 顶出PG29, 2耳, 高结构, 灰色粉末喷涂	-	PG29	
T1340160132-000	H16B-TGH-RO-M32 H16B HOOD, TOP ENTRY M32, 2 EAR, HIGH CONSTRUCTION, POWDER COATED, GREY H16B上壳, 顶出M32, 2耳, 高结构, 灰色粉末喷涂	-	M32	
T1340160140-000	H16B-TGH-RO-M40 H16B HOOD, TOP ENTRY M40, 2 EAR, HIGH CONSTRUCTION, POWDER COATED, GREY H16B上壳, 顶出M40, 2耳, 高结构, 灰色粉末喷涂	-	M40	
T1340167134-000	H16B-TGH-RO-NPT3/4 H16B HOOD, TOP ENTRY NPT3/4, 2 EAR, HIGH CONSTRUCTION, POWDER COATED, GREY H16B上壳, 顶出NPT3/4, 2耳, 高结构, 灰色粉末喷涂	-	NPT3/4	

THIS DRAWING IS A CONTROLLED DOCUMENT.		DWN David Wang 25MAY2015	TE Connectivity	
DIMENSIONS: mm		CHK Chris Wang 25MAY2015		
TOLERANCES UNLESS OTHERWISE SPECIFIED:		APVD Xiang Xu 25MAY2015	NAME H16B-TS/TG/TSH/TGH-RO-M/PG	
0 PLC ±-		PRODUCT SPEC 108-137013	SIZE CAGE CODE DRAWING NO RESTRICTED TO	
1 PLC ±-		APPLICATION SPEC 114-137013	A200779 C-T13X01601XX000	
2 PLC ±-		WEIGHT -	SCALE 1:1 SHEET 2 OF 2 REV B1	
3 PLC ±-		MATERIAL -		
4 PLC ±-		Customer Drawing		
ANGLES ±-				
FINISH -				

Printed on 2 Jul 2021 11:15 (China Standard Time) from TE343646

## X-ON Electronics

Largest Supplier of Electrical and Electronic Components

*Click to view similar products for [Heavy Duty Power Connectors](#) category:*

*Click to view products by [TE Connectivity](#) manufacturer:*

Other Similar products are found below :

[647757-1](#) [6643411-1](#) [6646058-2](#) [6646137-1](#) [6646138-1](#) [6646479-1](#) [6646608-1](#) [6646786-1](#) [6646940-1](#) [6651091-1](#) [6651525-1](#) [6651529-1](#)  
[6651788-1](#) [696475-1](#) [702-32-01109](#) [703-25-02205](#) [73000005059](#) [73000005642](#) [73080255059](#) [73080965046](#) [765-15-0080A](#) [765-16-0080B](#)  
[765-18-0080D](#) [829992-1](#) [902-77-02113](#) [PS00/A0620/6300](#) [PS25/A0420/63](#) [129-1J](#) [1409400](#) [AN0024023](#) [E6374G1](#) [e6389g2](#) [157-43GW8](#)  
[MS3117-14AC](#) [1643543-1](#) [1650540-1](#) [1651811-2](#) [1766260-1](#) [1766282-1](#) [1766966-1](#) [1791340000](#) [NLDFT-3-BL-L-S120-M40A](#) [NLDFT-N-](#)  
[W-L-C240-M40B](#) [NLS-2-R-C240-M40B](#) [NLS-N-W-C240-M40B](#) [NPS-3-BL-T6](#) [1986615-1](#) [2-1589900-8](#) [2199314-1](#) [KA8102](#)