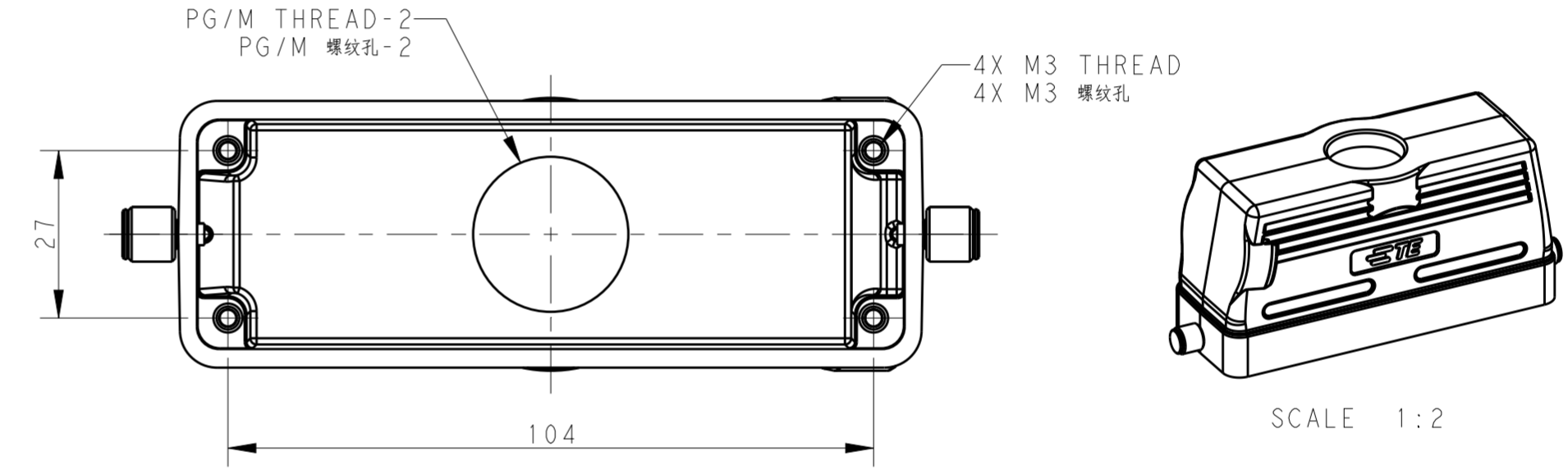
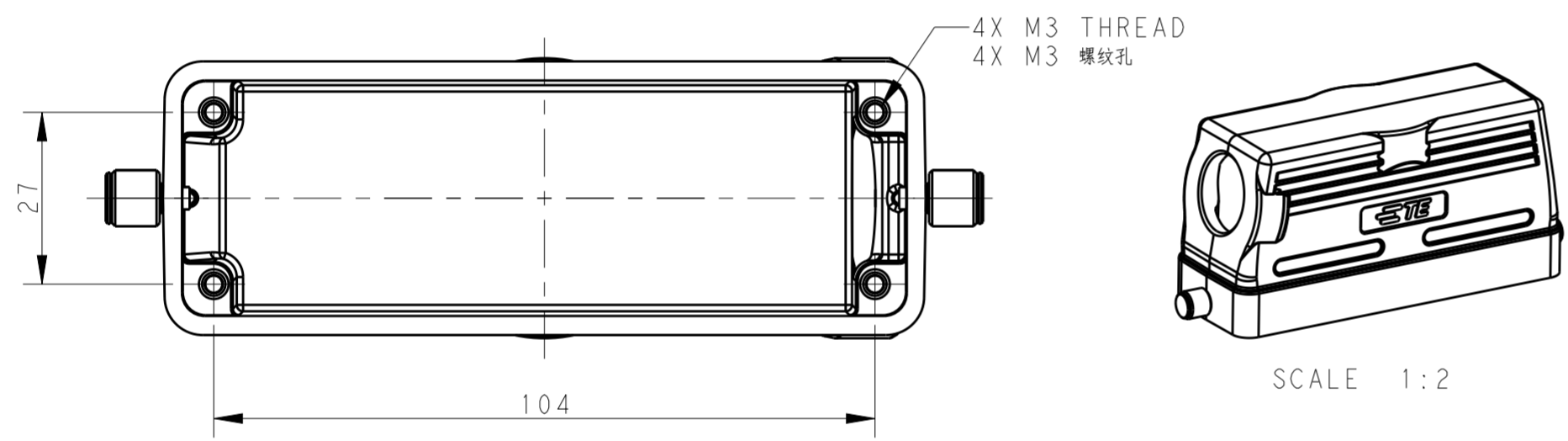
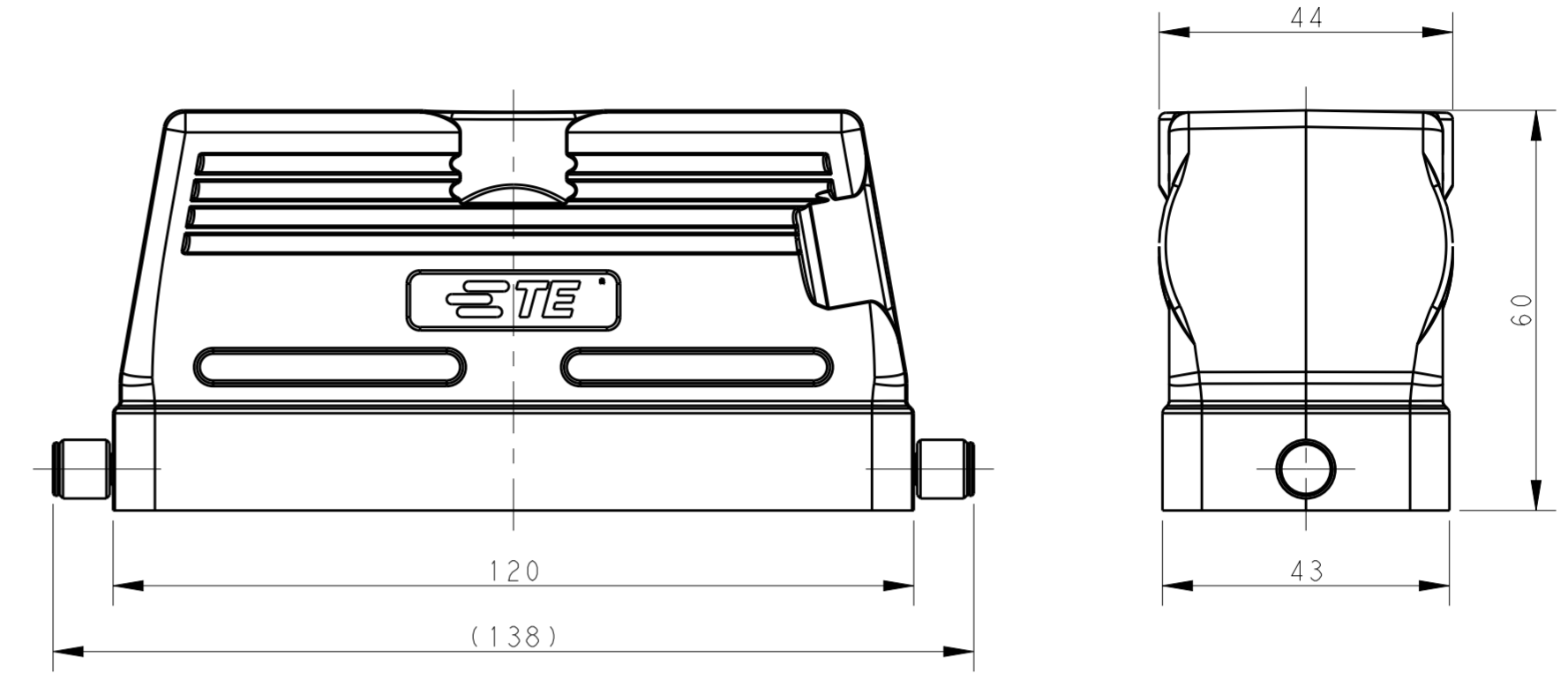
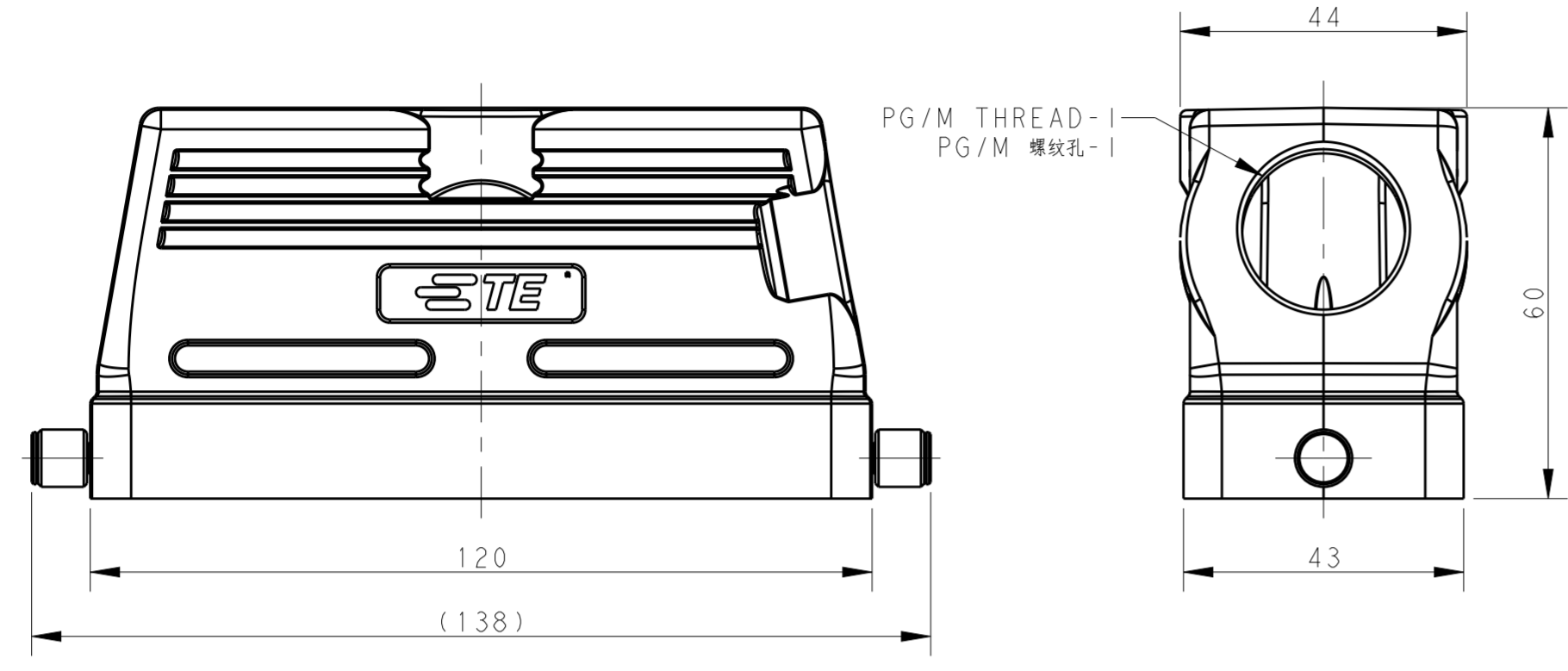


THIS DRAWING IS UNPUBLISHED. RELEASED FOR PUBLICATION 20
 © COPYRIGHT 20 BY - ALL RIGHTS RESERVED.

| REVISIONS | | | | | |
|-----------|-----|---------------|-----------|-----|------|
| P | LTR | DESCRIPTION | DATE | DWN | APVD |
| | A | INITIAL | 04JUN2015 | DW | CW |
| | A1 | ECR-16-004419 | 28MAR2016 | DW | CW |



TYPE 1: LOW CONSTRUCTION, SIDE ENTRY
 类型1: 低结构, 侧出

TYPE 2: LOW CONSTRUCTION, TOP ENTRY
 类型2: 低结构, 高出

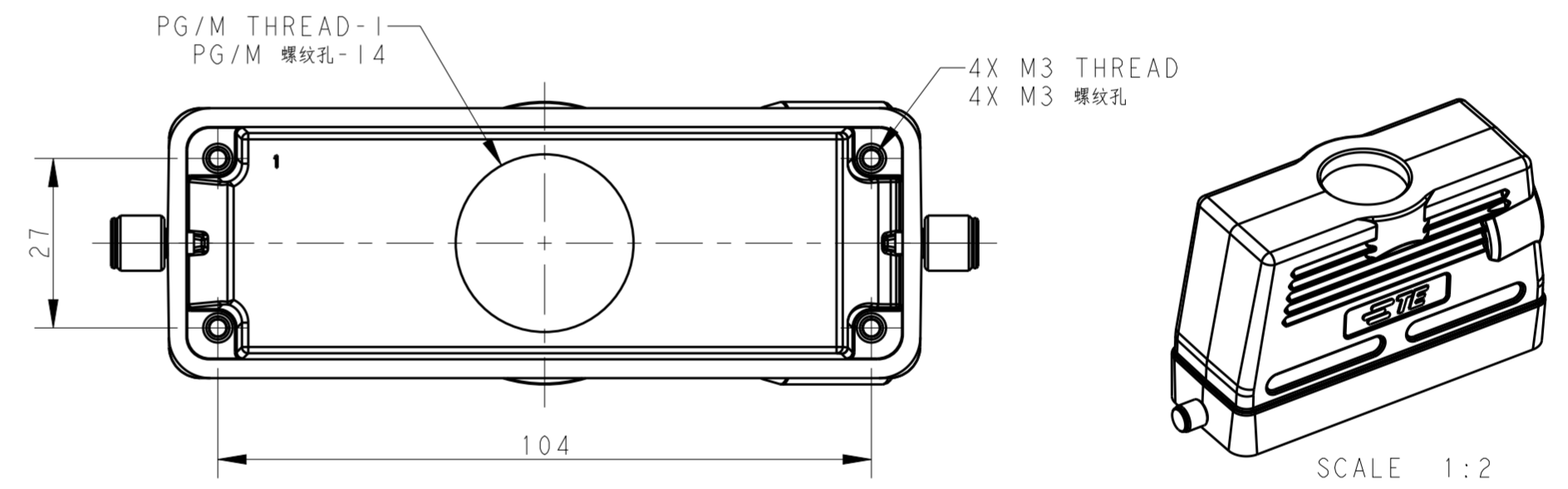
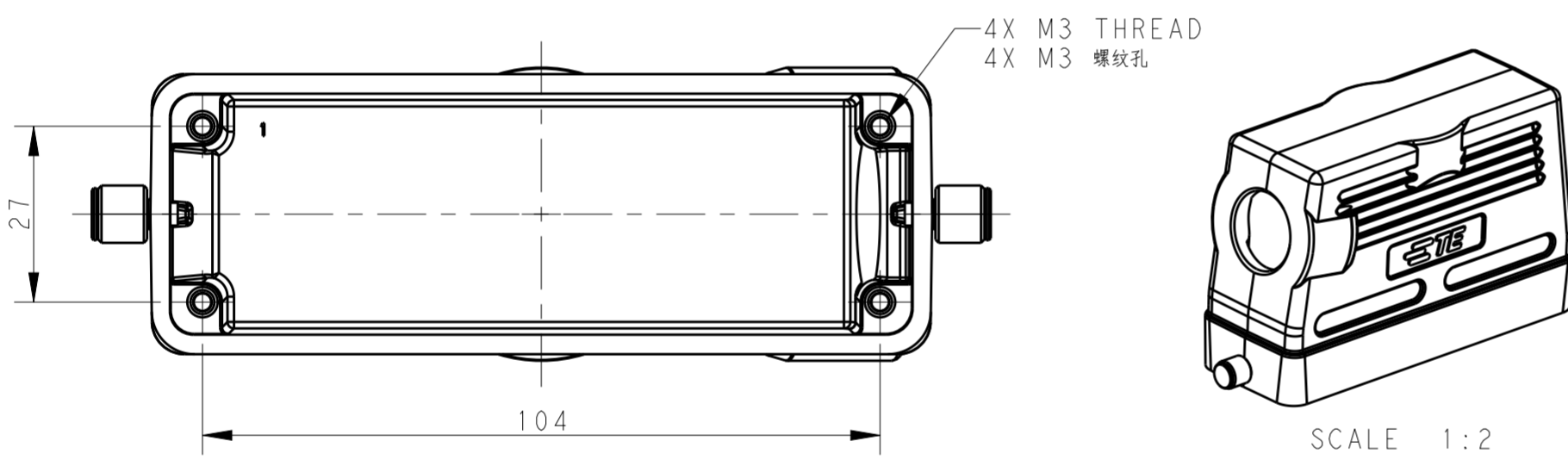
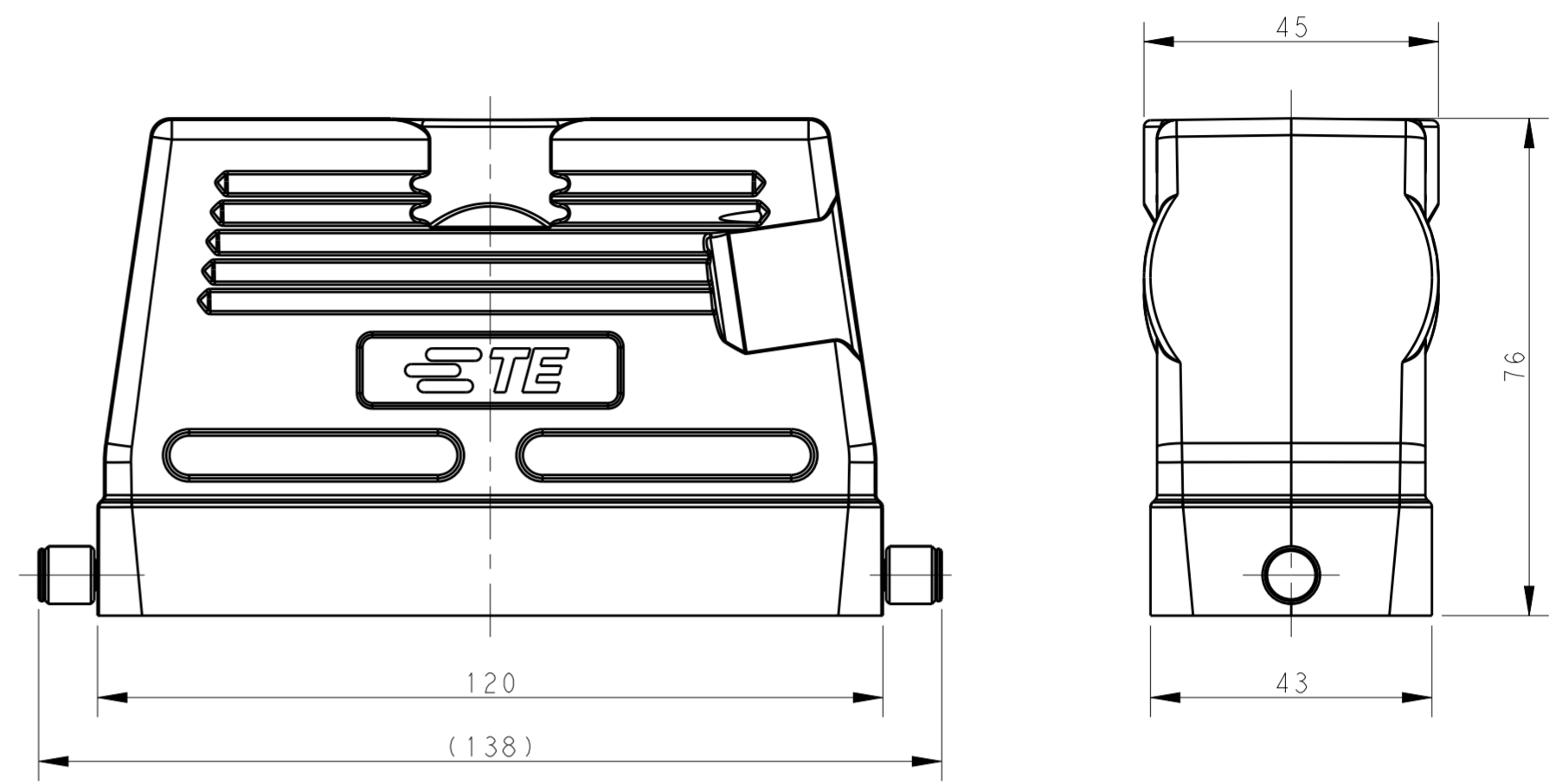
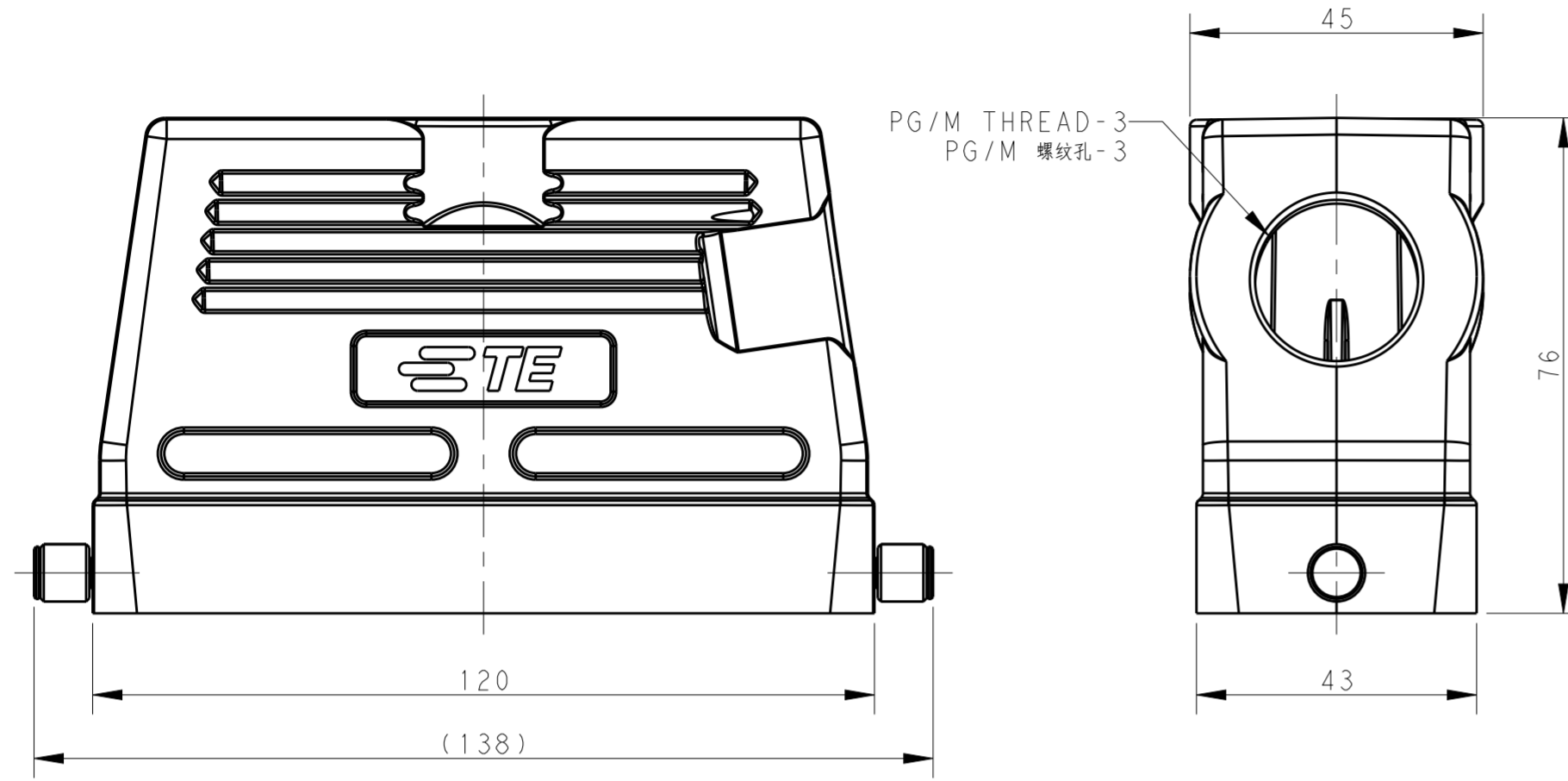
NOTES:
 I. TECHNICAL CHARACTERISTICS:
 HOOD MATERIAL: DIE CAST ALUMINIUM ALLOY
 SURFACE: POWDER COATED, GREY
 DEGREE OF PROTECTION: IP65 (MATED)

注释:
 I. 技术参数:
 上壳材料: 铝合金
 表面处理: 灰色粉末喷涂
 防护等级: IP65 (配合)

| | | | | |
|--|--|-----------------------------|---|--|
| THIS DRAWING IS A CONTROLLED DOCUMENT. | | DWN DAVID WANG 04JUN2015 | STE TE Connectivity | |
| | | CHK CHRIS WANG 04JUN2015 | | |
| | | APVD XIANG XU 04JUN2015 | NAME H24B-TS/TG/TSH/TGH-RO-M/PG | |
| DIMENSIONS: mm | | PRODUCT SPEC 108-137013 | SIZE CAGE CODE DRAWING NO RESTRICTED TO | |
| TOLERANCES UNLESS OTHERWISE SPECIFIED: | | APPLICATION SPEC 114-137013 | A200779 C-T13X02401XX000 | |
| 0 PLC ±- | | WEIGHT - | SCALE 1:1 SHEET 1 OF 3 REV A1 | |
| 1 PLC ±- | | CUSTOMER DRAWING | | |
| 2 PLC ±- | | | | |
| 3 PLC ±- | | | | |
| 4 PLC ±- | | | | |
| ANGLES ±- | | | | |
| FINISH - | | | | |

THIS DRAWING IS UNPUBLISHED. RELEASED FOR PUBLICATION 20
 © COPYRIGHT 20 BY - ALL RIGHTS RESERVED.

| REVISIONS | | | | |
|-----------|-----|-------------|------|------|
| P | LTR | DESCRIPTION | DATE | APVD |
| - | - | SEE SHEET 1 | - | - |
| | | | | |
| | | | | |



TYPE 3: HIGH CONSTRUCTION, SIDE ENTRY
 类型3: 高结构, 侧出

TYPE 4: HIGH CONSTRUCTION, TOP ENTRY
 类型4: 高结构, 顶出

NOTES:
 SEE SHEET 1

| | | | | |
|--|----------|-----------------------------|---|--|
| THIS DRAWING IS A CONTROLLED DOCUMENT. | | DWN DAVID WANG 04JUN2015 | STE TE Connectivity | |
| DIMENSIONS: mm | | CHK CHRIS WANG 04JUN2015 | | |
| TOLERANCES UNLESS OTHERWISE SPECIFIED: | | APVD XIANG XU 04JUN2015 | NAME H24B-TS/TG/TSH/TGH-RO-M/PG | |
| 0 PLC ± | 1 PLC ± | PRODUCT SPEC 108-137013 | SIZE CAGE CODE DRAWING NO RESTRICTED TO | |
| 2 PLC ± | 3 PLC ± | APPLICATION SPEC 114-137013 | A200779 C-T13X02401XX000 | |
| 4 PLC ± | ANGLES ± | WEIGHT - | SCALE 1:1 SHEET 2 OF 3 REV A1 | |
| FINISH - | - | CUSTOMER DRAWING | - | |


THIS DRAWING IS UNPUBLISHED. RELEASED FOR PUBLICATION 20
 © COPYRIGHT 20 BY - ALL RIGHTS RESERVED.

| REVISIONS | | | | |
|-----------|-----|-------------|------|------|
| P | LTR | DESCRIPTION | DATE | APVD |
| - | | SEE SHEET 1 | - | - |
| | | | | |
| | | | | |

NOTES:
SEE SHEET 1

| PART NUMBER 零件料号 | PART DESCRIPTION 零件描述 | PG/M THREAD-1 PG/M 螺纹孔-1 | PG/M THREAD-2 PG/M 螺纹孔-2 | PG/M THREAD-3 PG/M 螺纹孔-3 | PG/M THREAD-4 PG/M 螺纹孔-4 | TYPE 类型 |
|---------------------|--|-----------------------------|-----------------------------|-----------------------------|-----------------------------|----------------|
| T1340240121-000 | H24B HOOD, TOP ENTRY PG21, 2 EAR, HIGH CONSTRUCTION, POWDER COATED, GREY H24B上壳, 顶出PG21, 2耳, 高结构, 灰色粉末喷涂 | - | - | - | PG21 | TYPE 4 类型 4 |
| T1340240125-000 | H24B HOOD, TOP ENTRY M25, 2 EAR, HIGH CONSTRUCTION, POWDER COATED, GREY H24B上壳, 顶出M25, 2耳, 高结构, 灰色粉末喷涂 | - | - | - | M25 | |
| T1340240129-000 | H24B HOOD, TOP ENTRY PG29, 2 EAR, HIGH CONSTRUCTION, POWDER COATED, GREY H24B上壳, 顶出PG29, 2耳, 高结构, 灰色粉末喷涂 | - | - | - | PG29 | |
| T1340240132-000 | H24B HOOD, TOP ENTRY M32, 2 EAR, HIGH CONSTRUCTION, POWDER COATED, GREY H24B上壳, 顶出M32, 2耳, 高结构, 灰色粉末喷涂 | - | - | - | M32 | |
| T1340240140-000 | H24B HOOD, TOP ENTRY M40, 2 EAR, HIGH CONSTRUCTION, POWDER COATED, GREY H24B上壳, 顶出M40, 2耳, 高结构, 灰色粉末喷涂 | - | - | - | M40 | |
| T1330240121-000 | H24B HOOD, SIDE ENTRY PG21, 2 EAR, HIGH CONSTRUCTION, POWDER COATED, GREY H24B上壳, 侧出PG21, 2耳, 高结构, 灰色粉末喷涂 | - | - | PG21 | - | TYPE 3 类型 3 |
| T1330240125-000 | H24B HOOD, SIDE ENTRY M25, 2 EAR, HIGH CONSTRUCTION, POWDER COATED, GREY H24B上壳, 侧出M25, 2耳, 高结构, 灰色粉末喷涂 | - | - | M25 | - | |
| T1330240129-000 | H24B HOOD, SIDE ENTRY PG29, 2 EAR, HIGH CONSTRUCTION, POWDER COATED, GREY H24B上壳, 侧出PG29, 2耳, 高结构, 灰色粉末喷涂 | - | - | PG29 | - | |
| T1330240132-000 | H24B HOOD, SIDE ENTRY M32, 2 EAR, HIGH CONSTRUCTION, POWDER COATED, GREY H24B上壳, 侧出M32, 2耳, 高结构, 灰色粉末喷涂 | - | - | M32 | - | |
| T1330240140-000 | H24B HOOD, SIDE ENTRY M40, 2 EAR, HIGH CONSTRUCTION, POWDER COATED, GREY H24B上壳, 侧出M40, 2耳, 高结构, 灰色粉末喷涂 | - | - | M40 | - | |
| T1320240121-000 | H24B HOOD, TOP ENTRY PG21, 2 EAR, POWDER COATED, GREY H24B上壳, 顶出PG21, 2耳, 灰色粉末喷涂 | - | PG21 | - | - | TYPE 2 类型 2 |
| T1320240125-000 | H24B HOOD, TOP ENTRY M25, 2 EAR, POWDER COATED, GREY H24B上壳, 顶出M25, 2耳, 灰色粉末喷涂 | - | M25 | - | - | |
| T1320240129-000 | H24B HOOD, TOP ENTRY PG29, 2 EAR, POWDER COATED, GREY H24B上壳, 顶出PG29, 2耳, 灰色粉末喷涂 | - | PG29 | - | - | |
| T1320240132-000 | H24B HOOD, TOP ENTRY M32, 2 EAR, POWDER COATED, GREY H24B上壳, 顶出M32, 2耳, 灰色粉末喷涂 | - | M32 | - | - | |
| T1310240121-000 | H24B HOOD, SIDE ENTRY PG21, 2 EAR, POWDER COATED, GREY H24B上壳, 侧出PG21, 2耳, 灰色粉末喷涂 | PG21 | - | - | - | TYPE 1 类型 1 |
| T1310240125-000 | H24B HOOD, SIDE ENTRY M25, 2 EAR, POWDER COATED, GREY H24B上壳, 侧出M25, 2耳, 灰色粉末喷涂 | M25 | - | - | - | |
| T1310240132-000 | H24B HOOD, SIDE ENTRY M32, 2 EAR, POWDER COATED, GREY H24B上壳, 侧出M32, 2耳, 灰色粉末喷涂 | M32 | - | - | - | |

THIS DRAWING IS A CONTROLLED DOCUMENT.

| | |
|----------------------------------|---|
| DWN DAVID WANG 04 JUN 2015 |  TE Connectivity NAME: H24B-TS/TG/TSH/TGH-RO-M/PG |
| CHK CHRIS WANG 04 JUN 2015 | |
| APVD XIANG XU 04 JUN 2015 | |
| PRODUCT SPEC 108-137013 | |
| MATERIAL | APPLICATOR SPEC 114-137013 |
| WEIGHT | RESTRICTED TO |
| Customer Drawing | SCALE 1:1 SHEET 3 OF 3 REV A1 |

X-ON Electronics

Largest Supplier of Electrical and Electronic Components

Click to view similar products for [Heavy Duty Power Connectors](#) category:

Click to view products by [TE Connectivity](#) manufacturer:

Other Similar products are found below :

[1424439](#) [1424438](#) [09330062652](#) [2-8675P1](#) [580129-2](#) [605601-1](#) [6340G1](#) [6341G1](#) [6360G1](#) [6373G1](#) [6374g2](#) [6396G1](#) [647757-1](#) [66394-4](#)
[6643411-1](#) [6646058-2](#) [6646137-1](#) [6646138-1](#) [6646348-1](#) [6646479-1](#) [6646608-1](#) [6646786-1](#) [6646940-1](#) [6651091-1](#) [6651525-1](#) [6651529-1](#)
[6651778-1](#) [6651788-1](#) [696465-1](#) [696475-1](#) [73000005059](#) [73000005349](#) [73000005642](#) [73080255059](#) [73080965046](#) [765-15-0080A](#)
[765-16-0080B](#) [789.700-44](#) [789.700-54](#) [80-1010](#) [80-9](#) [827381-1](#) [829992-1](#) [902-77-02113](#) [PL00U-301-10D10](#) [PM103MOOLOO](#)
[PM16S1620S32-50](#) [PM212MOOLOO](#) [PM309FOOLOO](#) [PM324FOOLCH](#)