

4

3

2

1

THIS DRAWING IS UNPUBLISHED.

RELEASED FOR PUBLICATION

20

© COPYRIGHT 20 BY -

ALL RIGHTS RESERVED.

REVISIONS

P	LTR	DESCRIPTION	DATE	DWN	APVD
	A	INITIAL RELEASE	02JUN2015	DL	CW
	A1	ECR-17-017115	28NOV2017	CH	CW
	B	ECR-21-109004	13AUG2021	WQR	CW

4X 77.50
8X M3 THREAD
8X M3 螺纹孔
4X Ø5.5
2X 27.00
2X 9.20
2X 65.00
2X 110.00

(94.0)
82.50
(86.0)
(56.3)

NOTES:
1. TECHNICAL CHARACTERISTICS:
BODY MATERIAL: DIE CAST ALUMINIUM ALLOY
SURFACE TREATMENT: POWDER COATED, GREY
DEGREE OF PROTECTION: IP65 (MATED)

注释:
1. 技术参数:
主体材料: 铝合金
表面处理: 灰色粉末喷涂
防护等级: IP65(配合)

4X Ø5.40
86.00
71.00
2X 110.00
2X 65.00

开孔安装示意图
PANNEL CUT OUT

94.00
2X 47.50
(6.5)
(37.6)
(127.5)

SCALE 1:2

THIS DRAWING IS A CONTROLLED DOCUMENT.

DWN DAVID.LI 02JUN2015

CHK CHRIS.WANG 02JUN2015

APVD XIANG.XU 02JUN2015

PRODUCT SPEC

108-137013

APPLICATION SPEC

114-137013

WEIGHT -

Customer Drawing

NAME H32B-AG

TE Connectivity

SIZE	CAGE CODE	DRAWING NO	RESTRICTED TO
A3	-	©-T1410322000X00	-

SCALE 1:1 SHEET 1 OF 2 REV B

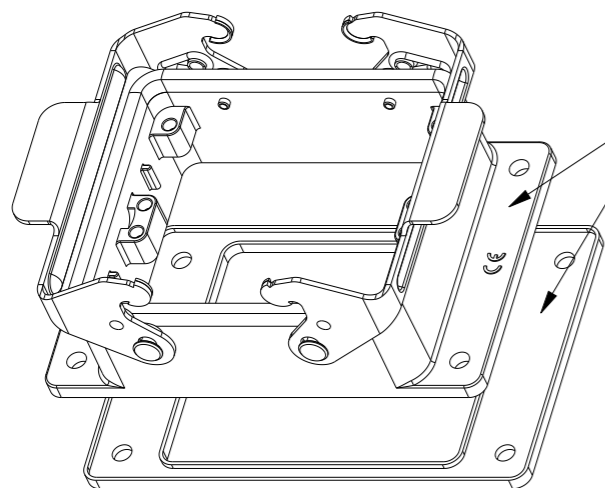
DIMENSIONS:
mmTOLERANCES UNLESS
OTHERWISE SPECIFIED:

0 PLC	±-
1 PLC	±-
2 PLC	±-
3 PLC	±-
4 PLC	±-
ANGLES	±-
FINISH	-

1470-19 (3/13)

REVISIONS

P	LTR	DESCRIPTION	DATE	DWN	APVD
-		SEE SHEET 1	-	-	-

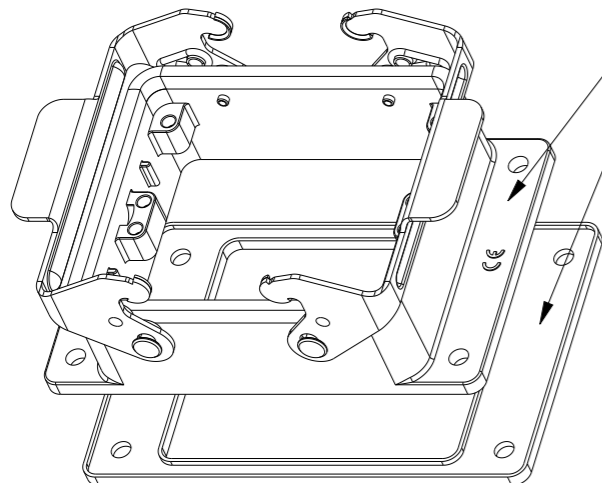


FLANGE SEALING SHOULD NOT BE STICKED TOGETHER WITH HOUSING. PUT TOGETHER SEPARATELY.
包边密封垫不需和下壳粘在一起, 分开放在一起即可.

SCALE 1:2

TYPE 1
类型 I

NOTES:
SEE SHEET 1



FLANGE SEALING SHOULD BE STICKED TOGETHER WITH HOUSING USING GLUE FULLY.
包边密封垫需和下壳用胶水粘在一起

SCALE 1:2

TYPE 2: THIS TYPE IS SAME AS TYPE 1, ONLY FLANGE SEALING SHOULD BE STICKED TOGETHER WITH HOUSING USING GLUE FULLY.
类型 2: 此类型同类型 I, 只是包边密封圈需要用胶水和壳体粘在一起而已.

T1410322000-100	H32B-AG	H32B HOUSING, BULKHEAD MOUNTED, METAL DOUBLE LOCKING, SEAL, POWDER COATED, GREY H32B下壳, 开孔安装, 彩锌双扣, 带密封垫, 灰色粉末喷涂	TYPE 2 类型 2
T1410322000-000	H32B-AG	H32B HOUSING, BULKHEAD MOUNTED, METAL DOUBLE LOCKING, POWDER COATED, GREY H32B下壳, 开孔安装, 彩锌双扣, 灰色粉末喷涂	TYPE 1 类型 I
PART NUMBER 料号	PART DESCRIPTION 描述		TYPE 类型

THIS DRAWING IS A CONTROLLED DOCUMENT.

DWN 02JUN2015

DAVID.LI

CHK 02JUN2015

CHRIS.WANG

APVD 02JUN2015

XIANG.XU

NAME
H32B-AG



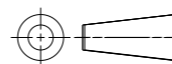
TE Connectivity

DIMENSIONS:

mm

TOLERANCES UNLESS OTHERWISE SPECIFIED:

- 0 PLC ±-
- 1 PLC ±-
- 2 PLC ±-
- 3 PLC ±-
- 4 PLC ±-
- ANGLES ±-
- FINISH ±-



PRODUCT SPEC
108-137013

APPLICATION SPEC
114-137013

WEIGHT
-

SIZE A3 CAGE CODE - DRAWING NO. ©-T1410322000X00 RESTRICTED TO -

MATERIAL
-

-

Customer Drawing

SCALE 1:1

SHEET 2 OF 2

REV B

X-ON Electronics

Largest Supplier of Electrical and Electronic Components

Click to view similar products for [Heavy Duty Power Connectors](#) category:

Click to view products by [TE Connectivity](#) manufacturer:

Other Similar products are found below :

[647757-1](#) [6643411-1](#) [6646058-2](#) [6646137-1](#) [6646138-1](#) [6646479-1](#) [6646608-1](#) [6646786-1](#) [6646940-1](#) [6651091-1](#) [6651525-1](#) [6651529-1](#)
[6651788-1](#) [696475-1](#) [702-32-01109](#) [703-25-02205](#) [73000005059](#) [73000005642](#) [73080255059](#) [73080965046](#) [765-15-0080A](#) [765-16-0080B](#)
[765-18-0080D](#) [829992-1](#) [902-77-02113](#) [PS00/A0620/6300](#) [PS25/A0420/63](#) [129-1J](#) [1409400](#) [AN0024023](#) [E6374G1](#) [e6389g2](#) [157-43GW8](#)
[MS3117-14AC](#) [1643543-1](#) [1650540-1](#) [1651811-2](#) [1766260-1](#) [1766282-1](#) [1766966-1](#) [1791340000](#) [NLDFT-3-BL-L-S120-M40A](#) [NLDFT-N-](#)
[W-L-C240-M40B](#) [NLS-2-R-C240-M40B](#) [NLS-N-W-C240-M40B](#) [NPS-3-BL-T6](#) [1986615-1](#) [2-1589900-8](#) [2199314-1](#) [KA8102](#)