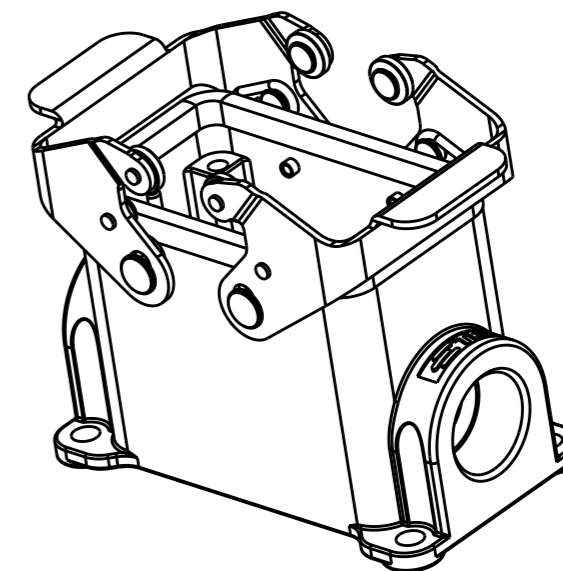
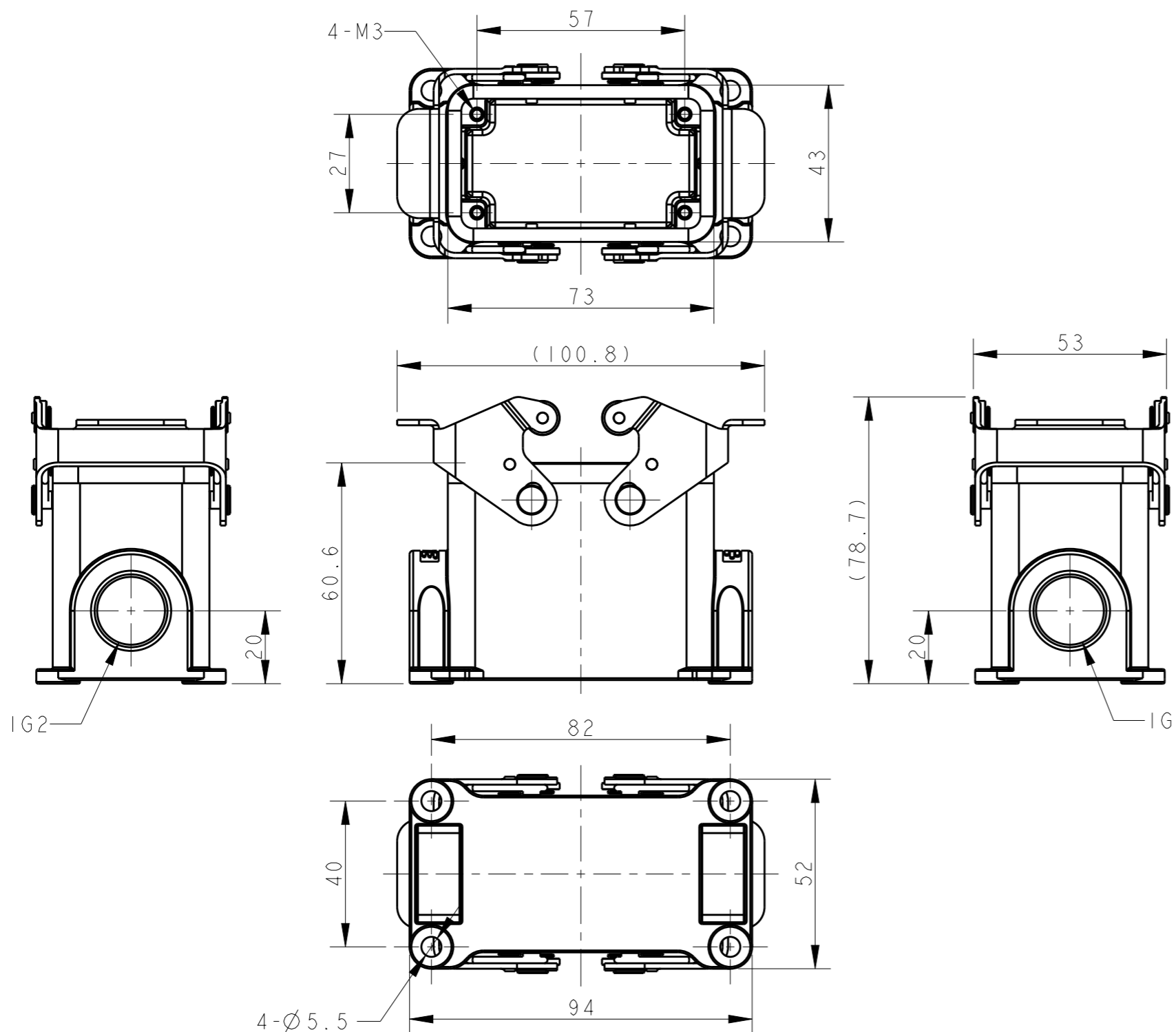


REVISIONS

P	LTR	DESCRIPTION	DATE	DWN	APVD
	A	INITIAL RELEASE	25JUN2015	DL	CW



NOTES:
 1. TECHNICAL CHARACTERISTICS:
 BODY MATERIAL: DIE CAST ALUMINIUM ALLOY
 SURFACE TREATMENT: POWDER-COATED, GRAY
 OPERATION TEMPERATURE: -40-+125°C
 DEGREE OF PROTECTION: IP65 (MATED)

注释:
 1. 技术参数:
 主体材料: 铝合金
 表面处理: 粉末喷涂, 灰色
 工作温度: -40-+125°C
 防护等级: IP65(配合)

TYPE I: BODY + DOUBLE STAINLESS STEEL LOCKING

TI440101116-000	TYPE I	H10B-SGRS-PG16	PG16	-
TI440101120-000		H10B-SGRS-M20	M20	-
TI440101121-000		H10B-SGRS-PG21	PG21	-
TI440101125-000		H10B-SGRS-M25	M25	-
TI440101216-000		H10B-SGRS-2PG16	PG16	PG16
TI440101220-000		H10B-SGRS-2M20	M20	M20
TI440101221-000		H10B-SGRS-2PG21	PG21	PG21
TI440101225-000		H10B-SGRS-2M25	M25	M25
ASSEMBLY PART NUMBER	TYPE	ASSEMBLY PART DESCRIPTION	IG1	IG2

THIS DRAWING IS A CONTROLLED DOCUMENT.		DWN	DAVID LI	25JUN2015	STE TE Connectivity												
DIMENSIONS: mm		CHK	CHRIS WANG	25JUN2015													
TOLERANCES UNLESS OTHERWISE SPECIFIED:		APVD	XU XIANG	25JUN2015													
<table border="0"> <tr><td>0 PLC</td><td>±-</td></tr> <tr><td>1 PLC</td><td>±-</td></tr> <tr><td>2 PLC</td><td>±-</td></tr> <tr><td>3 PLC</td><td>±-</td></tr> <tr><td>4 PLC</td><td>±-</td></tr> <tr><td>ANGLES</td><td>±-</td></tr> </table>		0 PLC	±-	1 PLC		±-	2 PLC	±-	3 PLC	±-	4 PLC	±-	ANGLES	±-	PRODUCT SPEC	108-137013	NAME
0 PLC	±-																
1 PLC	±-																
2 PLC	±-																
3 PLC	±-																
4 PLC	±-																
ANGLES	±-																
MATERIAL TBD		APPLICATION SPEC	114-137013	SIZE	A3												
FINISH -		WEIGHT	-	CAGE CODE	-												
		CUSTOMER DRAWING		DRAWING NO	©-TI44010XXXX000												
				RESTRICTED TO	-												
				SCALE	7:10												
				SHEET	1 OF 2												
				REV	A												

4

3

2

1

THIS DRAWING IS UNPUBLISHED.

RELEASED FOR PUBLICATION

20

© COPYRIGHT 20

BY -

ALL RIGHTS RESERVED.

REVISIONS

P	LTR	DESCRIPTION	DATE	DWN	APVD
	-	SEE SHEET 1	-	-	-

TYPE 2: BODY + DOUBLE STEEL LOCKING

OTHER SPEC REFER TO TYPE 1

TI440102116-000	TYPE 2	H10B-SGR-PG16	PG16	-
TI440102120-000		H10B-SGR-M20	M20	-
TI440102121-000		H10B-SGR-PG21	PG21	-
TI440102125-000		H10B-SGR-M25	M25	-
TI440102216-000		H10B-SGR-2PG16	PG16	PG16
TI440102220-000		H10B-SGR-2M20	M20	M20
TI440102221-000		H10B-SGR-2PG21	PG21	PG21
TI440102225-000		H10B-SGR-2M25	M25	M25
TI440102516-000		H10B-SGR-M25/PG16	M25	PG16
TI440102520-000		H10B-SGR-M25/M20	M25	M20
ASSEMBLY PART NUMBER	TYPE	ASSEMBLY PART DESCRIPTION	IG1	IG2

THIS DRAWING IS A CONTROLLED DOCUMENT.

DWN DAVID LI 25JUN2015

CHK CHRIS WANG 25JUN2015

APVD XU XIANG 25JUN2015

PRODUCT SPEC

108-137013

APPLICATION SPEC

114-137013

WEIGHT -

CUSTOMER DRAWING

TE Connectivity

NAME H10B-SGR-PG/M

SIZE A3 CAGE CODE - DRAWING NO. ©-TI44010XXXX000 RESTRICTED TO -

SCALE 7:10 SHEET 2 OF 2 REV A

DIMENSIONS:

mm

TOLERANCES UNLESS OTHERWISE SPECIFIED:

0 PLC	±-
1 PLC	±-
2 PLC	±-
3 PLC	±-
4 PLC	±-
ANGLES	±-

MATERIAL TBD

FINISH -

1470-19 (3/13)

X-ON Electronics

Largest Supplier of Electrical and Electronic Components

Click to view similar products for [Heavy Duty Power Connectors](#) category:

Click to view products by [TE Connectivity](#) manufacturer:

Other Similar products are found below :

[1424439](#) [1424438](#) [09330062652](#) [2-8675P1](#) [580129-2](#) [605601-1](#) [6340G1](#) [6341G1](#) [6360G1](#) [6373G1](#) [6374g2](#) [6396G1](#) [647757-1](#) [66394-4](#)
[6643411-1](#) [6646058-2](#) [6646137-1](#) [6646138-1](#) [6646348-1](#) [6646479-1](#) [6646608-1](#) [6646786-1](#) [6646940-1](#) [6651091-1](#) [6651525-1](#) [6651529-1](#)
[6651778-1](#) [6651788-1](#) [696465-1](#) [696475-1](#) [73000005059](#) [73000005349](#) [73000005642](#) [73080255059](#) [73080965046](#) [765-15-0080A](#)
[765-16-0080B](#) [789.700-44](#) [789.700-54](#) [80-1010](#) [80-9](#) [827381-1](#) [829992-1](#) [902-77-02113](#) [PL00U-301-10D10](#) [PM103MOOLOO](#)
[PM16S1620S32-50](#) [PM212MOOLOO](#) [PM309FOOLOO](#) [PM324FOOLCH](#)