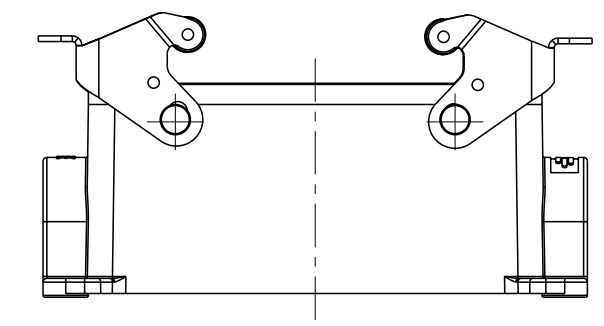
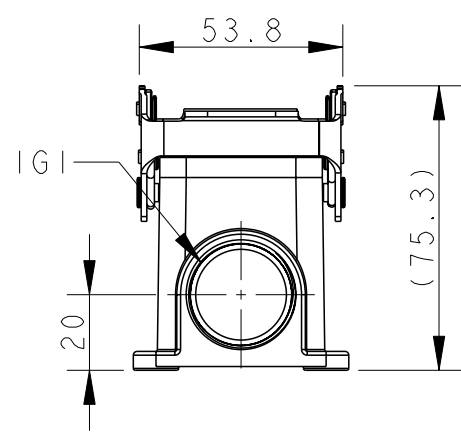
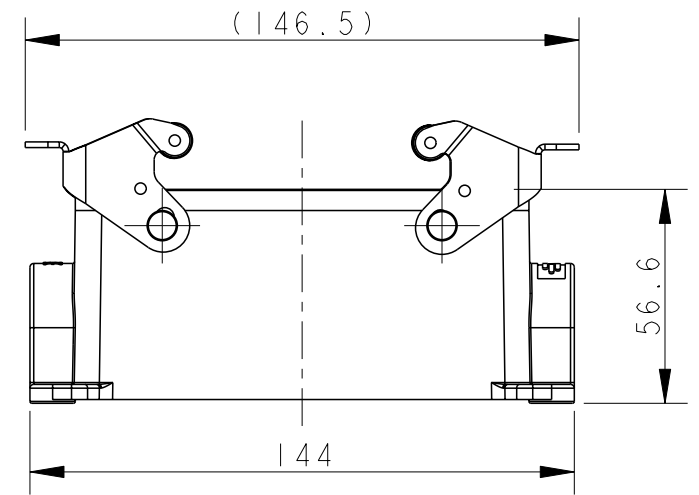
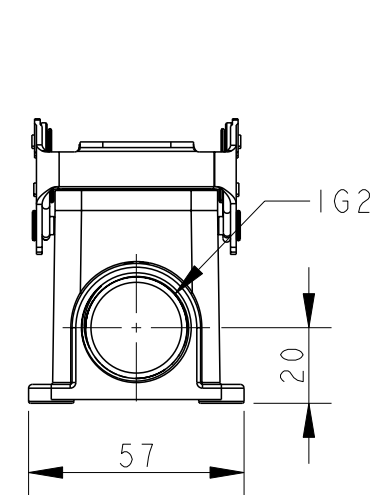
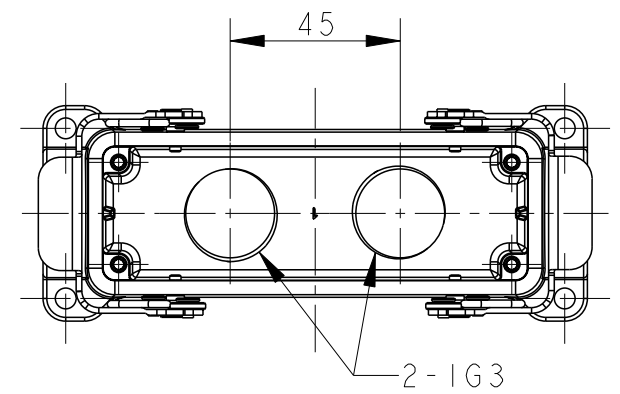
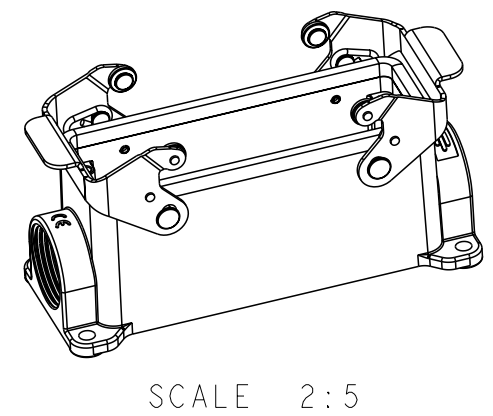
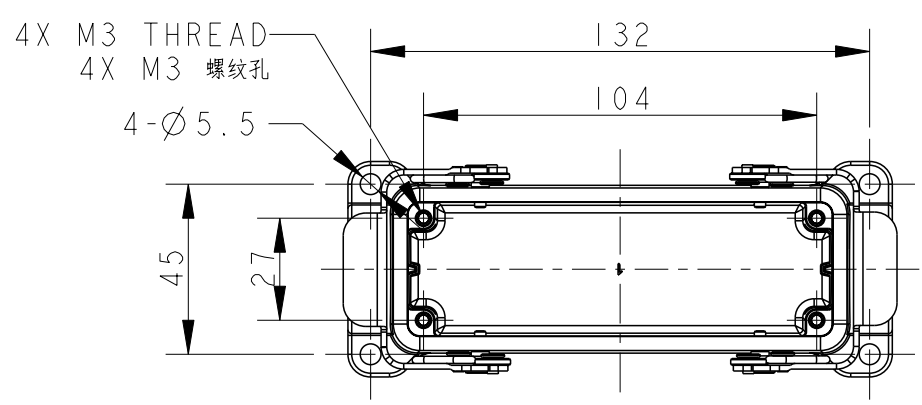


THIS DRAWING IS UNPUBLISHED. RELEASED FOR PUBLICATION 20
 © COPYRIGHT 20 BY - ALL RIGHTS RESERVED.

REVISIONS					
P	LTR	DESCRIPTION	DATE	DWN	APVD
	A	INITIAL RELEASE	16JUN2015	DL	CW
	B	ECR-20-014876	16JUL2021	WQR	CW



TYPE 1: BODY + STAINLESS STEEL LOCKING SIDE ENTRY

TYPE 2: BODY + STAINLESS STEEL LOCKING BOTTOM ENTRY
 OTHER SPEC REFER TO TYPE 1

TI440241121-000	TYPE 1	H24B-SGRS-PG21	PG21	-	-
TI440241125-000		H24B-SGRS-M25	M25	-	-
TI440241221-000		H24B-SGRS-2PG21	PG21	PG21	-
TI440241225-000		H24B-SGRS-2M25	M25	M25	-
TI440245225-000	TYPE 2	H24B-SGRS-T2M25	-	-	M25
ASSEMBLY PART NUMBER	TYPE	ASSEMBLY PART DESCRIPTION	IG1	IG2	IG3

NOTES:
 1. TECHNICAL CHARACTERISTICS:
 BODY MATERIAL: DIE CAST ALUMINIUM ALLOY
 SURFACE TREATMENT: POWDER-COATED, GRAY
 DEGREE OF PROTECTION: IP65 (MATED)

注释:
 1. 技术参数:
 主体材料: 铝合金
 表面处理: 粉末喷涂, 灰色
 防护等级: IP65(配合)

THIS DRAWING IS A CONTROLLED DOCUMENT.	
DIMENSIONS: mm	TOLERANCES UNLESS OTHERWISE SPECIFIED: 0 PLC ±- 1 PLC ±- 2 PLC ±- 3 PLC ±- 4 PLC ±- ANGLES ±- FINISH
MATERIAL	

DWN	16JUN2015
DAVID LI	
CHK	16JUN2015
CHRIS WANG	
APVD	16JUN2015
XU XIANG	
PRODUCT SPEC	108-137013
APPLICATION SPEC	114-137013
WEIGHT	-
CUSTOMER DRAWING	

TE Connectivity NAME H24B-SGR/SGRS-PG/M		SIZE	CAGE CODE	DRAWING NO	RESTRICTED TO
		A3	-	©-TI44024XXXXX00	
SCALE 1:2		SHEET 1 OF 2	REV B		

printed on 20 Jul 2021 16:15 (China Standard Time) from TE343646

THIS DRAWING IS UNPUBLISHED.

RELEASED FOR PUBLICATION

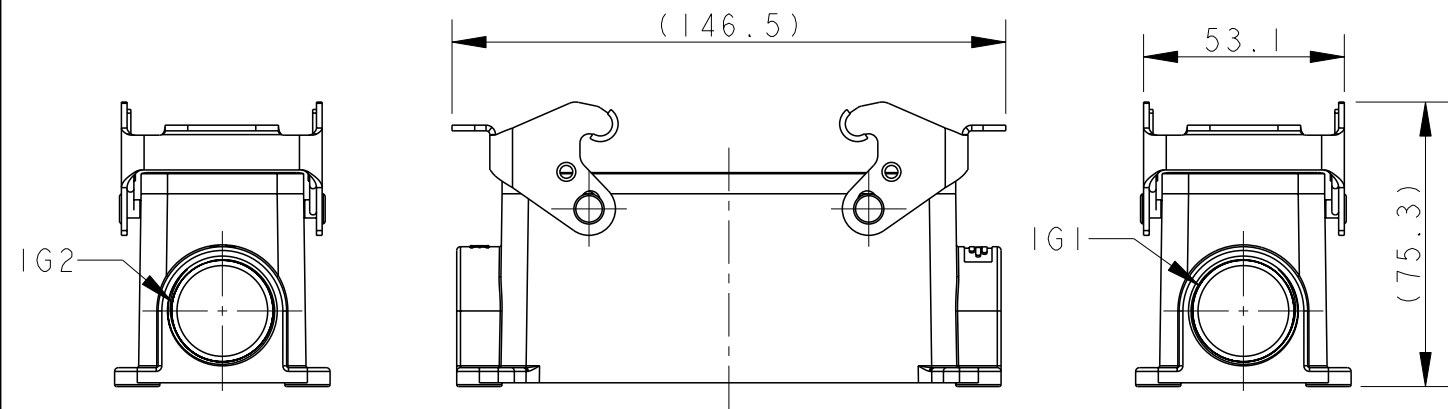
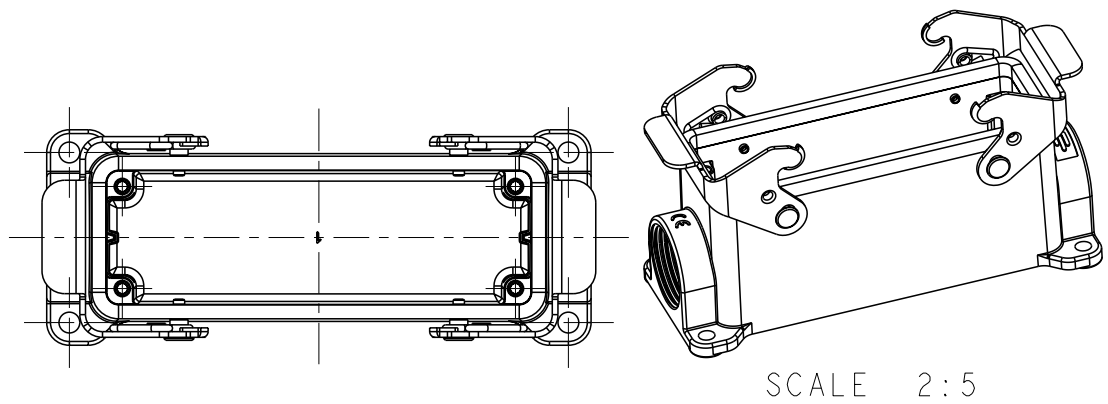
20

© COPYRIGHT 20 BY -

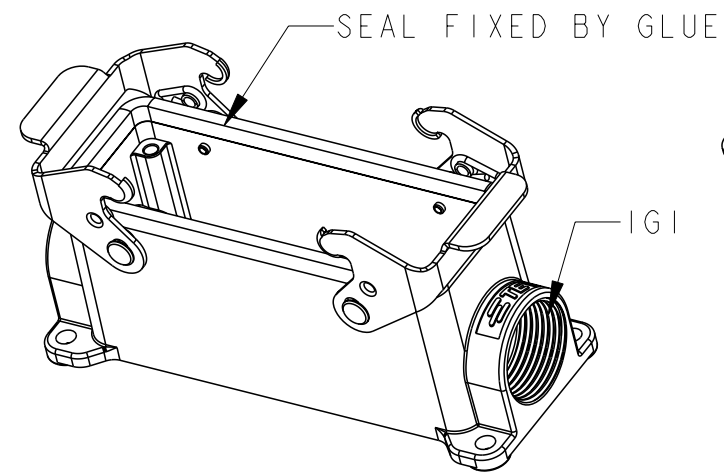
ALL RIGHTS RESERVED.

REVISIONS

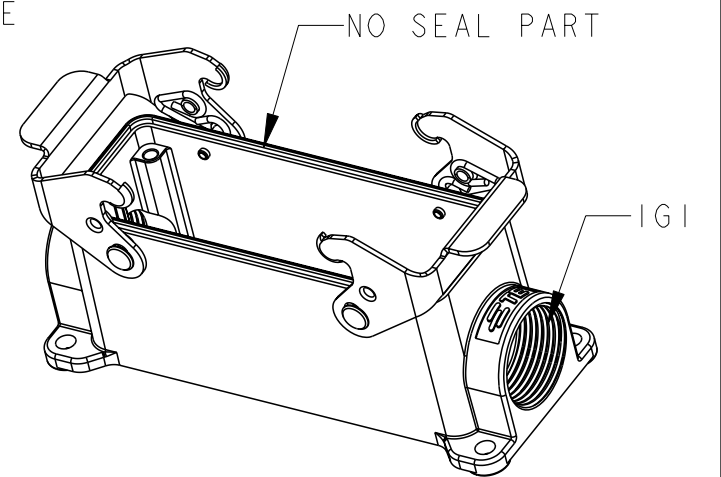
P	LTR	DESCRIPTION	DATE	DWN	APVD
-	-	SEE SHEET 1	-	-	-



TYPE 3: BODY + STEEL LOCKING SIDE ENTRY OTHER SPEC REFER TO TYPE 1



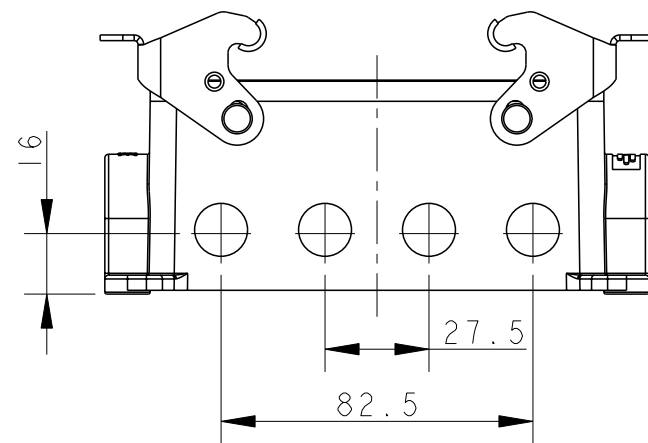
TYPE 4: BODY + STEEL LOCKING SIDE ENTRY OTHER SPEC REFER TO TYPE 3



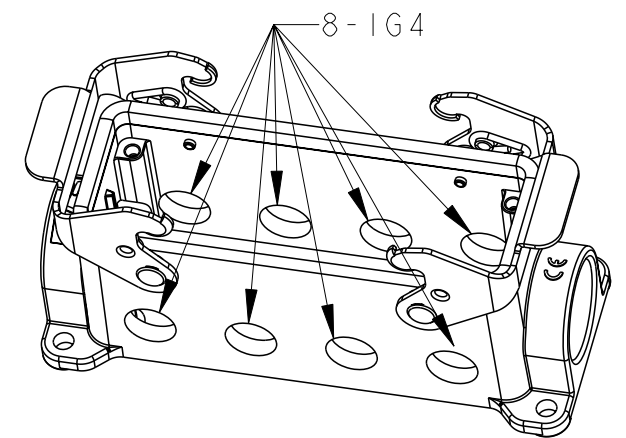
TYPE 5: BODY + STEEL LOCKING SIDE ENTRY OTHER SPEC REFER TO TYPE 3

T1440242121-000	TYPE 3	H24B-SGR-PG21	PG21	-	-	
T1440242125-000		H24B-SGR-M25	M25	-	-	
T1440242221-000		H24B-SGR-2PG21	PG21	PG21	-	
T1440242225-000		H24B-SGR-2M25	M25	M25	-	
T1440242521-000		H24B-SGR-M25/PG21	M25	PG21	-	
T1440242125-100	TYPE 4	H24B-SGR-M25	M25	-	-	SEAL FIXED BY GLUE
T1440242125-200	TYPE 5	H24B-SGR-M25	M25	-	-	NO SEAL PART
T1440242809-000	TYPE 6	H24B-SGR-8PG9	-	-	PG9	
ASSEMBLY PART NUMBER	TYPE	ASSEMBLY PART DESCRIPTION	IG1	IG2	IG4	REMARK

TABLE: TYPE DESCRIPTION



TYPE 6: BODY + STEEL LOCKING FRONT & BACK ENTRY OTHER SPEC REFER TO TYPE 3



THIS DRAWING IS A CONTROLLED DOCUMENT.

DIMENSIONS: mm	TOLERANCES UNLESS OTHERWISE SPECIFIED:
	0 PLC ±-
	1 PLC ±-
	2 PLC ±-
	3 PLC ±-
	4 PLC ±-
	ANGLES ±-
MATERIAL	FINISH
-	-
-	-

DWN	16JUN2015
DAVID LI	
CHK	16JUN2015
CHRIS WANG	
APVD	16JUN2015
XU XIANG	
PRODUCT SPEC	108-137013
APPLICATION SPEC	114-137013
WEIGHT	-
CUSTOMER DRAWING	

		TE Connectivity	
		NAME H24B-SGR/SGRS-PG/M	
SIZE	CAGE CODE	DRAWING NO	RESTRICTED TO
A3	-	©-T144024XXXXX00	
SCALE 1:2		SHEET 2 OF 2	REV B

Printed on 20 Jul 2021 16:15 (China Standard Time) from TE343646

A

X-ON Electronics

Largest Supplier of Electrical and Electronic Components

Click to view similar products for [Heavy Duty Power Connectors](#) category:

Click to view products by [TE Connectivity](#) manufacturer:

Other Similar products are found below :

[647757-1](#) [6643411-1](#) [6646058-2](#) [6646137-1](#) [6646138-1](#) [6646479-1](#) [6646608-1](#) [6646786-1](#) [6646940-1](#) [6651091-1](#) [6651525-1](#) [6651529-1](#)
[6651788-1](#) [696475-1](#) [702-32-01109](#) [703-25-02205](#) [73000005059](#) [73000005642](#) [73080255059](#) [73080965046](#) [765-15-0080A](#) [765-16-0080B](#)
[765-18-0080D](#) [829992-1](#) [902-77-02113](#) [PS00/A0620/6300](#) [PS25/A0420/63](#) [129-1J](#) [1409400](#) [AN0024023](#) [E6374G1](#) [e6389g2](#) [157-43GW8](#)
[MS3117-14AC](#) [1643543-1](#) [1650540-1](#) [1651811-2](#) [1766260-1](#) [1766282-1](#) [1766966-1](#) [1791340000](#) [NLDFT-3-BL-L-S120-M40A](#) [NLDFT-N-](#)
[W-L-C240-M40B](#) [NLS-2-R-C240-M40B](#) [NLS-N-W-C240-M40B](#) [NPS-3-BL-T6](#) [1986615-1](#) [2-1589900-8](#) [2199314-1](#) [KA8102](#)