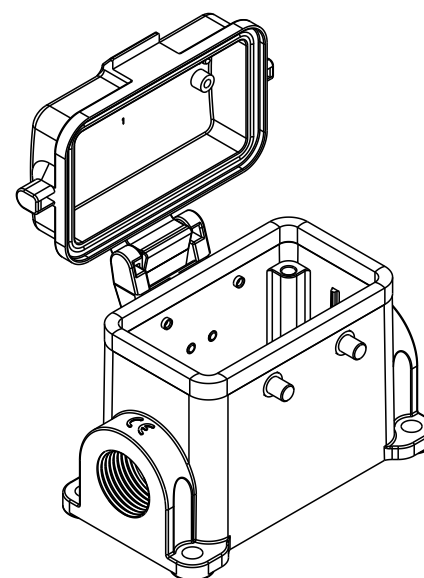
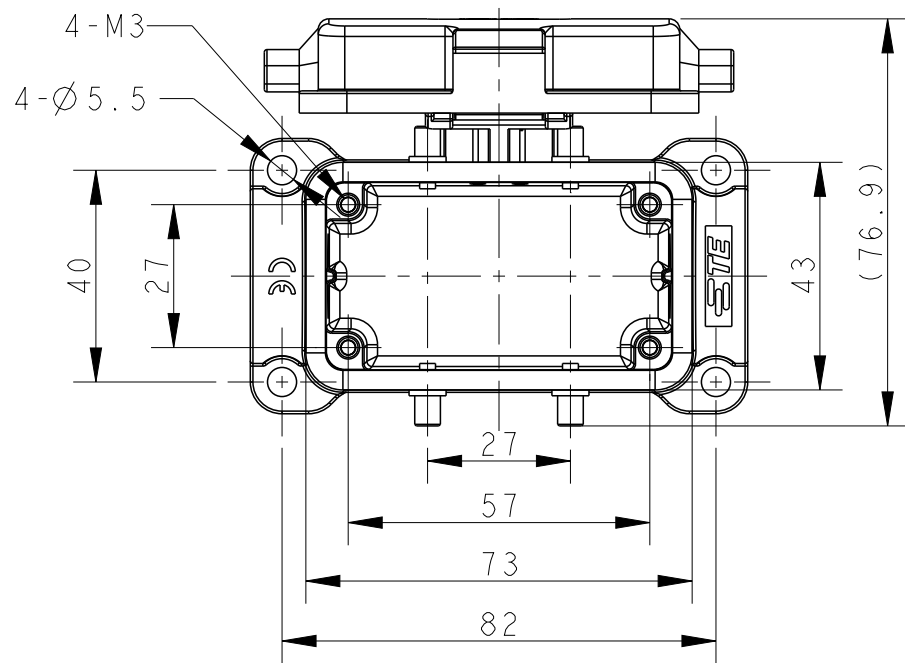


REVISIONS

P	LTR	DESCRIPTION	DATE	DWN	APVD
	A	INITIAL RELEASE	25JUN2015	DL	CW
	B	ECR-20-008181	09JUL2020	WQR	CW



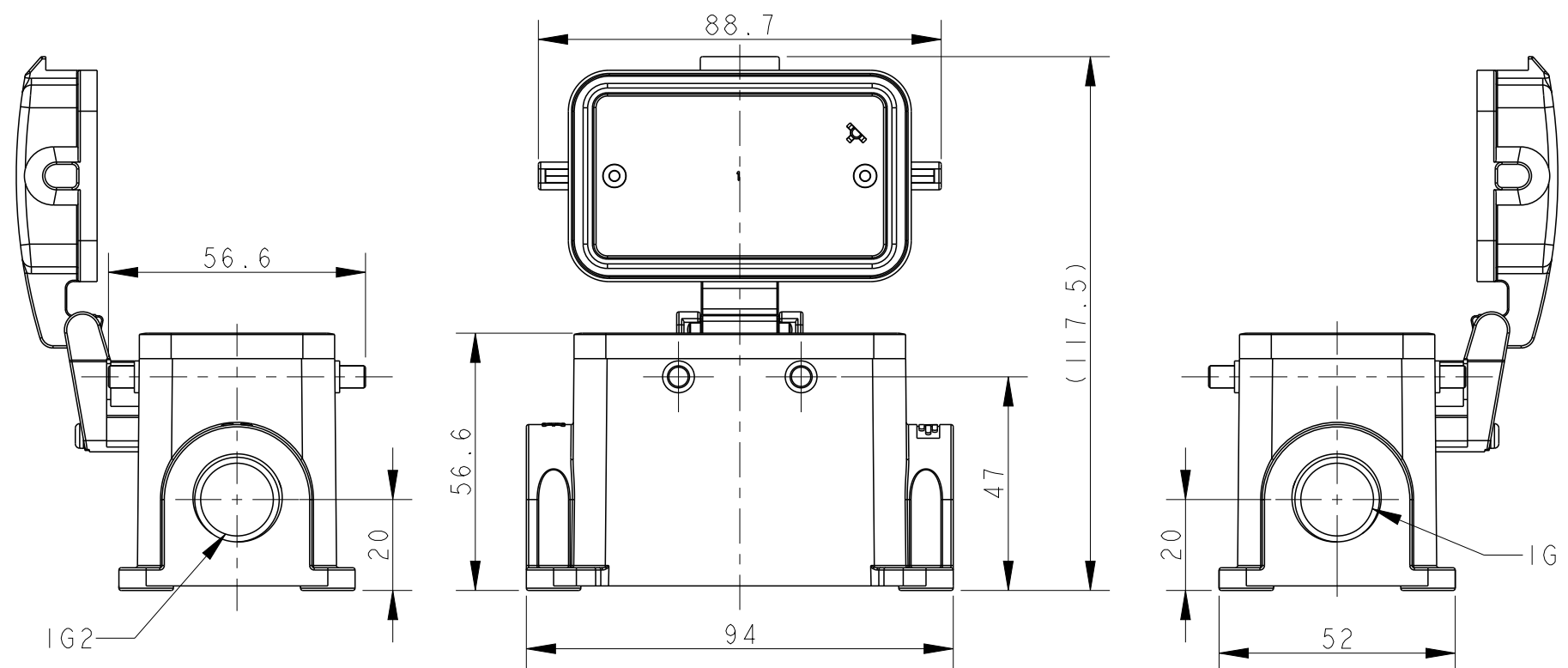
SCALE 1:2

NOTES:

- 1. TECHNICAL CHARACTERISTICS:  
 BODY MATERIAL: DIE CAST ALUMINIUM ALLOY  
 SURFACE TREATMENT: POWDER-COATED, GRAY  
 DEGREE OF PROTECTION: IP65 (MATED)

注释:

- 1. 技术参数:  
 主体材料: 铝合金  
 表面处理: 粉末喷涂, 灰色  
 防护等级: IP65(配合)



TYPE 1: BODY + PLASTIC PROTECTION COVER

TI460100116-000	TYPE I	H10B-SDR-BO-PG16	PG16	-
TI460100120-000		H10B-SDR-BO-M20	M20	-
TI460100121-000		H10B-SDR-BO-PG21	PG21	-
TI460100125-000		H10B-SDR-BO-M25	M25	-
TI460100216-000		H10B-SDR-BO-2PG16	PG16	PG16
TI460100220-000		H10B-SDR-BO-2M20	M20	M20
TI460100221-000		H10B-SDR-BO-2PG21	PG21	PG21
TI460100225-000		H10B-SDR-BO-2M25	M25	M25
ASSEMBLY PART NUMBER	TYPE	ASSEMBLY PART DESCRIPTION	IG1	IG2

THIS DRAWING IS A CONTROLLED DOCUMENT.

DWN 25JUN2015

DAVID LI

CHK 25JUN2015

CHRIS WANG

APVD 25JUN2015

XU XIANG

PRODUCT SPEC

108-137013

APPLICATION SPEC

114-137013

WEIGHT

-

CUSTOMER DRAWING



TE Connectivity

NAME H10B-SDR-BO-PG/M

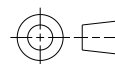
SIZE CAGE CODE DRAWING NO RESTRICTED TO

A3 - C-TI46010XXXX000

SCALE 1:2 SHEET 1 OF 2 REV B

DIMENSIONS:  
mm

TOLERANCES UNLESS OTHERWISE SPECIFIED:

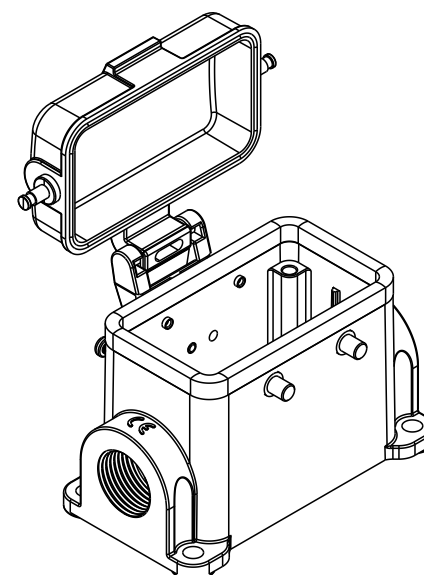
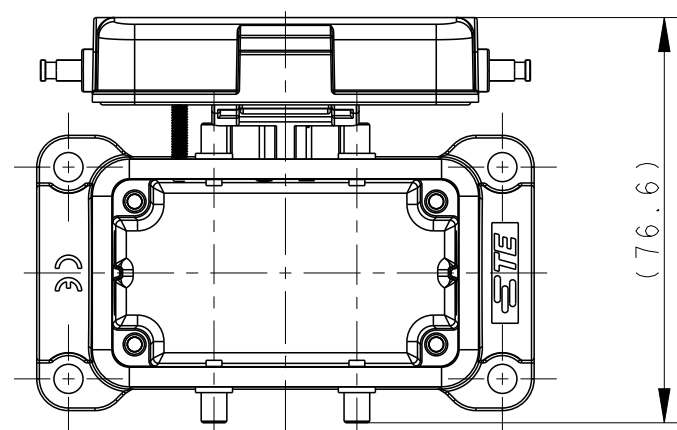


0 PLC	±-
1 PLC	±-
2 PLC	±-
3 PLC	±-
4 PLC	±-
ANGLES	±-
FINISH	-

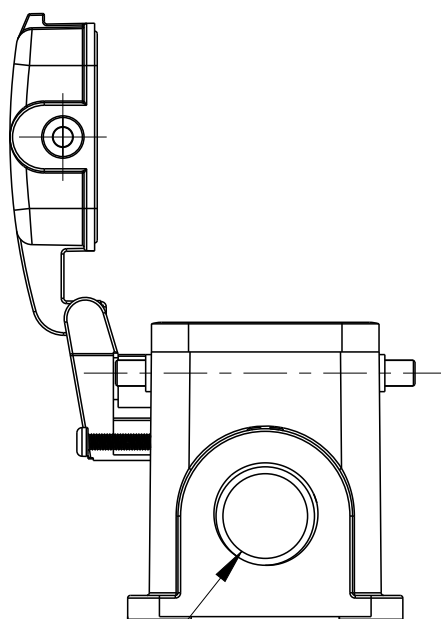
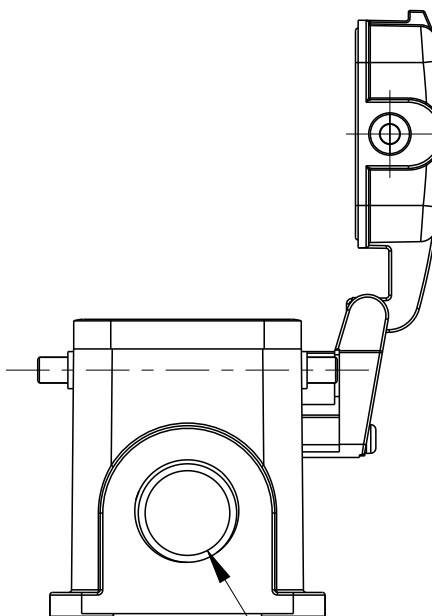
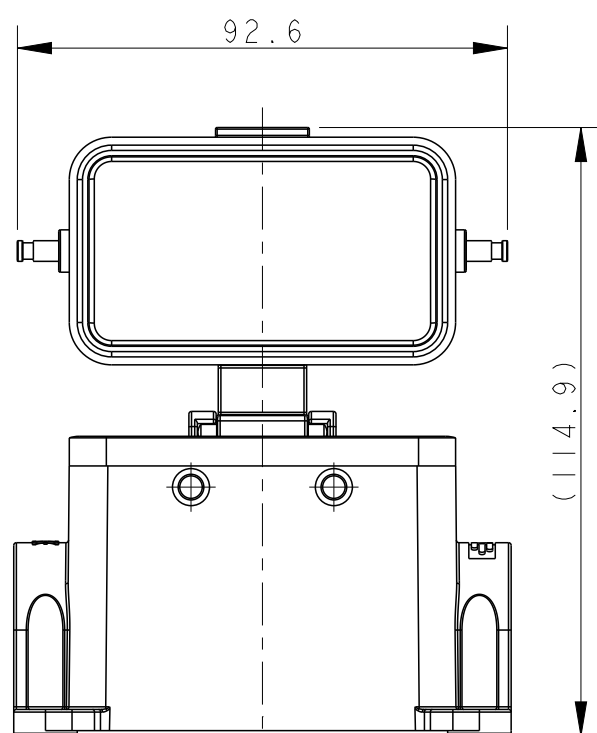
MATERIAL TBD

REVISIONS

P	LTR	DESCRIPTION	DATE	DWN	APVD
-	-	SEE SHEET 1	-	-	-



SCALE 1:2



IG2

IG1

TYPE 2: BODY + METAL PROTECTION COVER

OTHER SPEC REFER TO TYPE 1

TI460101116-000	TYPE 2	H10B-SDRM-BO-PG16	PG16	-
TI460101120-000		H10B-SDRM-BO-M20	M20	-
TI460101121-000		H10B-SDRM-BO-PG21	PG21	-
TI460101125-000		H10B-SDRM-BO-M25	M25	-
TI460101216-000		H10B-SDRM-BO-2PG16	PG16	PG16
TI460101220-000		H10B-SDRM-BO-2M20	M20	M20
TI460101221-000		H10B-SDRM-BO-2PG21	PG21	PG21
TI460101225-000		H10B-SDRM-BO-2M25	M25	M25
ASSEMBLY PART NUMBER	TYPE	ASSEMBLY PART DESCRIPTION	IG1	IG2

THIS DRAWING IS A CONTROLLED DOCUMENT.		DWN	DAVID LI	25JUN2015	<b>STE</b> TE Connectivity				
DIMENSIONS: mm		CHK	CHRIS WANG	25JUN2015					
TOLERANCES UNLESS OTHERWISE SPECIFIED:		APVD	XU XIANG	25JUN2015					
<ul style="list-style-type: none"> <li>0 PLC ±-</li> <li>1 PLC ±-</li> <li>2 PLC ±-</li> <li>3 PLC ±-</li> <li>4 PLC ±-</li> <li>ANGLES ±-</li> <li>FINISH -</li> </ul>		PRODUCT SPEC	108-137013						
MATERIAL TBD		APPLICATION SPEC	114-137013		NAME	H10B-SDRM-BO-PG/M			
		WEIGHT	-		SIZE	A3	CAGE CODE	-	
		CUSTOMER DRAWING			DRAWING NO	C-TI46010XXXX000		RESTRICTED TO	
				SCALE	7:10	SHEET	2 OF 2	REV	B

## X-ON Electronics

Largest Supplier of Electrical and Electronic Components

*Click to view similar products for [Heavy Duty Power Connectors](#) category:*

*Click to view products by [TE Connectivity](#) manufacturer:*

Other Similar products are found below :

[647757-1](#) [6643411-1](#) [6646058-2](#) [6646137-1](#) [6646138-1](#) [6646479-1](#) [6646608-1](#) [6646786-1](#) [6646940-1](#) [6651091-1](#) [6651525-1](#) [6651529-1](#)  
[6651788-1](#) [696475-1](#) [702-32-01109](#) [703-25-02205](#) [73000005059](#) [73000005642](#) [73080255059](#) [73080965046](#) [765-15-0080A](#) [765-16-0080B](#)  
[765-18-0080D](#) [829992-1](#) [902-77-02113](#) [PS00/A0620/6300](#) [PS25/A0420/63](#) [129-1J](#) [1409400](#) [AN0024023](#) [E6374G1](#) [e6389g2](#) [157-43GW8](#)  
[MS3117-14AC](#) [1643543-1](#) [1650540-1](#) [1651811-2](#) [1766260-1](#) [1766282-1](#) [1766966-1](#) [1791340000](#) [NLDFT-3-BL-L-S120-M40A](#) [NLDFT-N-](#)  
[W-L-C240-M40B](#) [NLS-2-R-C240-M40B](#) [NLS-N-W-C240-M40B](#) [NPS-3-BL-T6](#) [1986615-1](#) [2-1589900-8](#) [2199314-1](#) [KA8102](#)