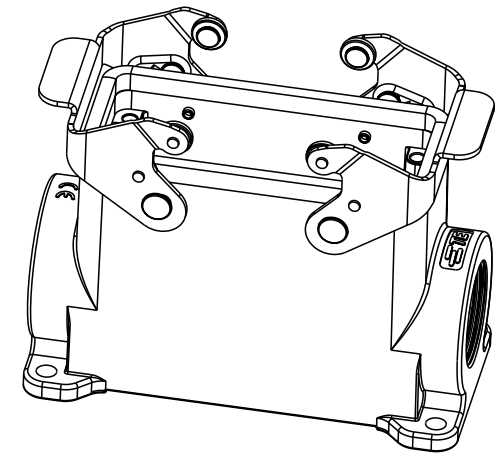
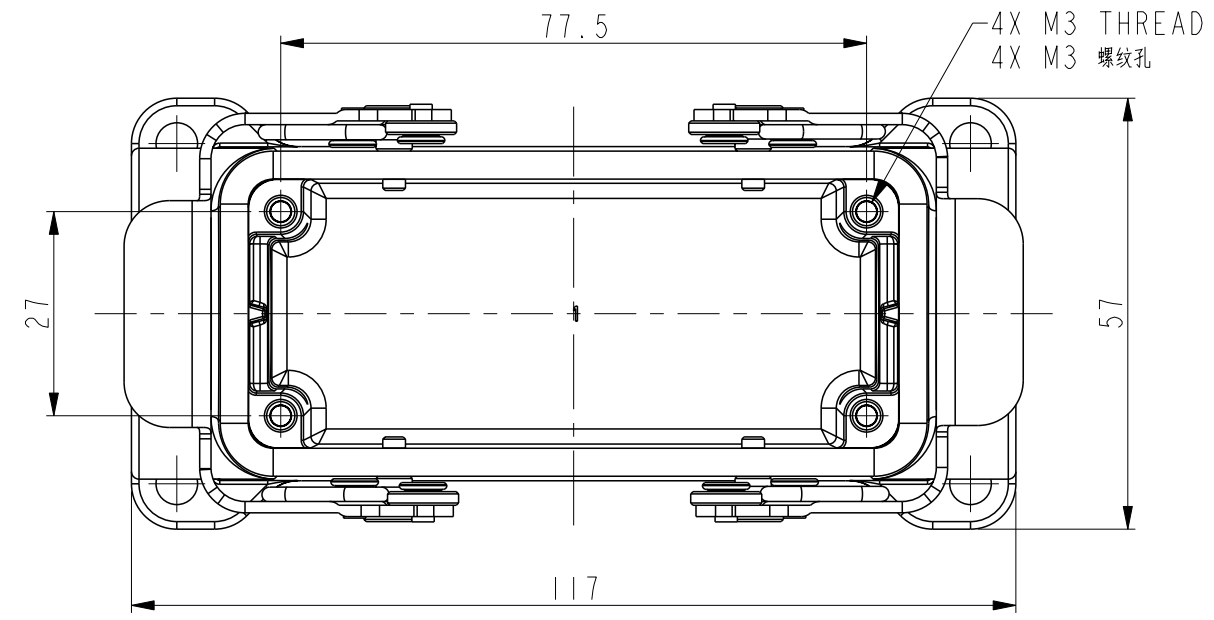


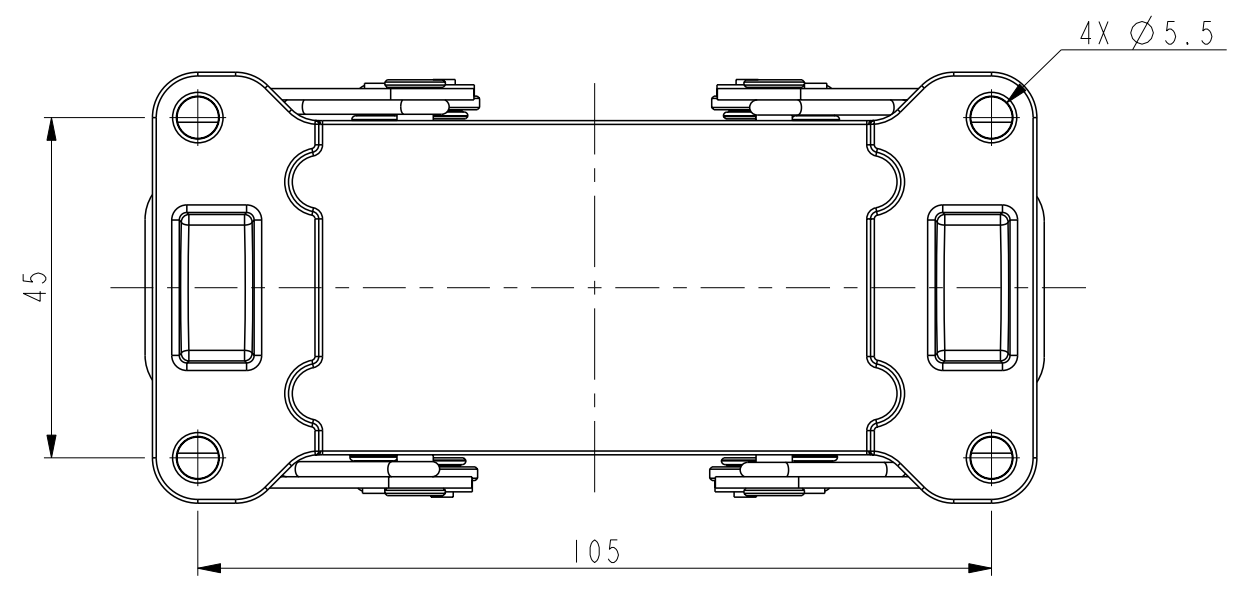
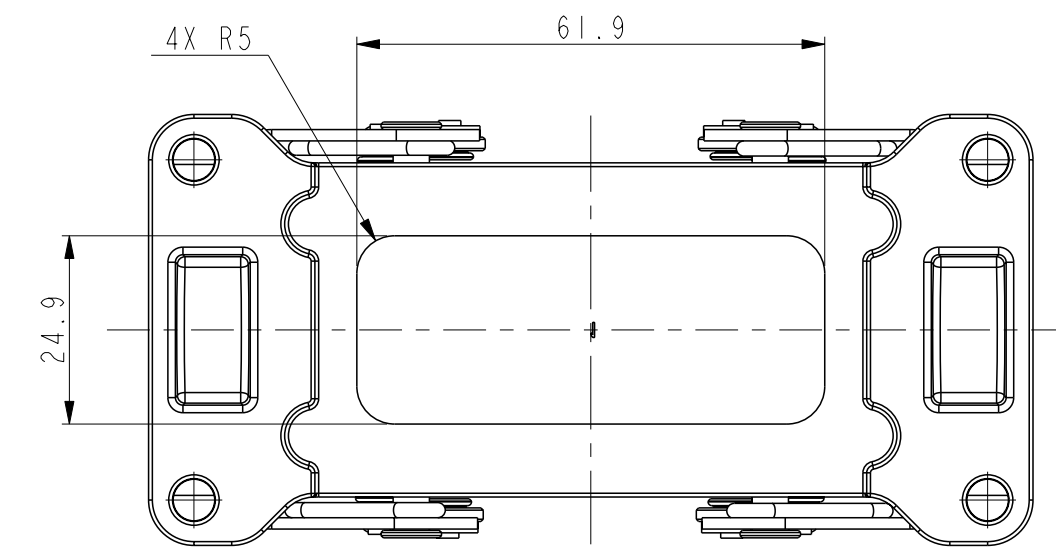
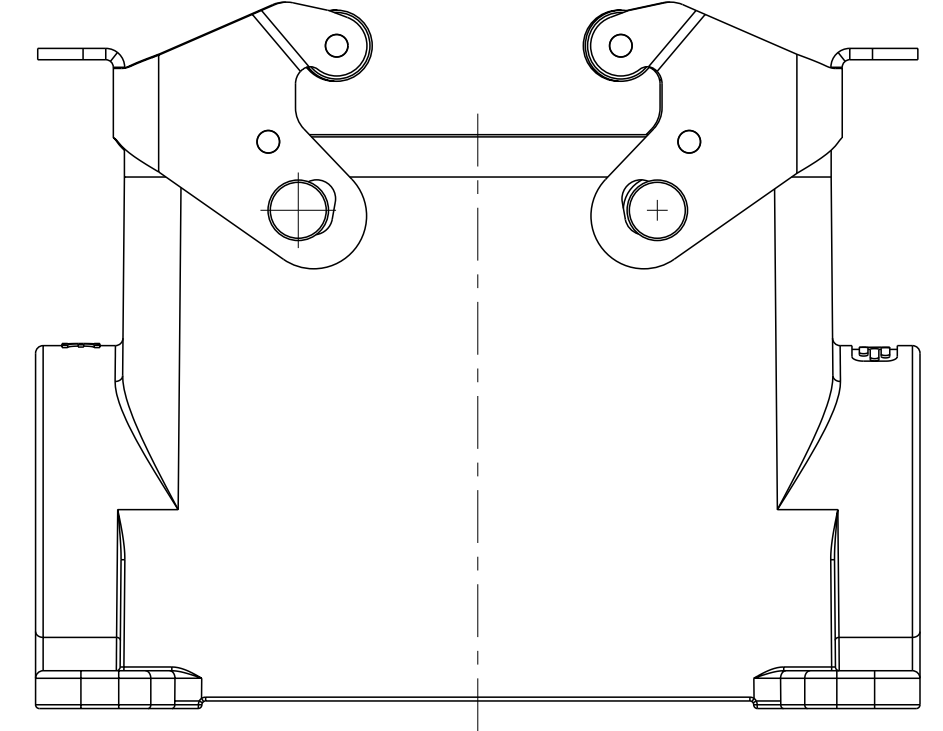
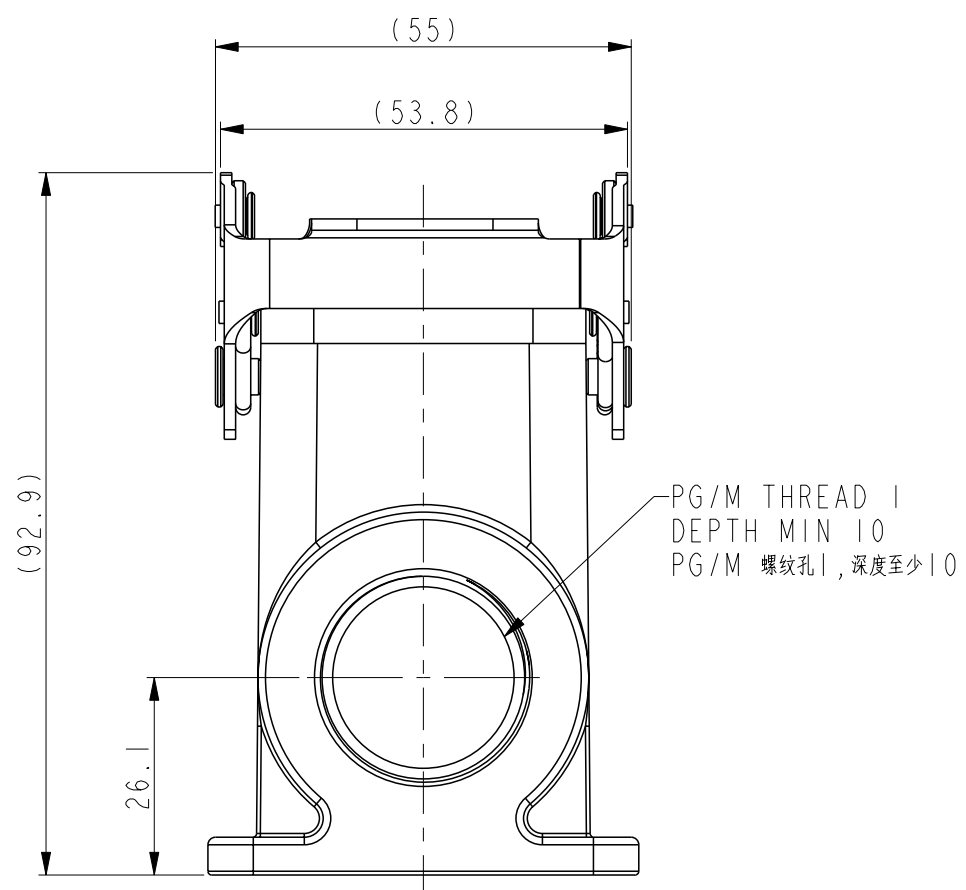
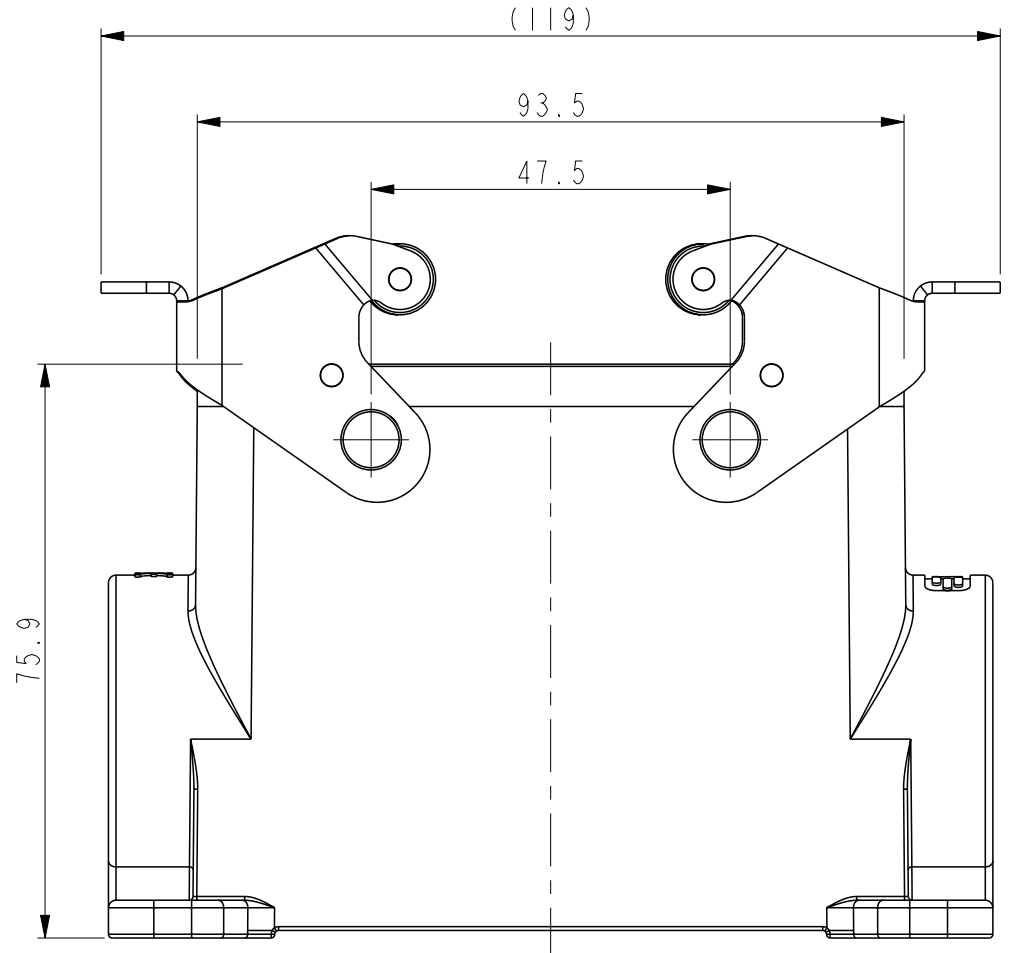
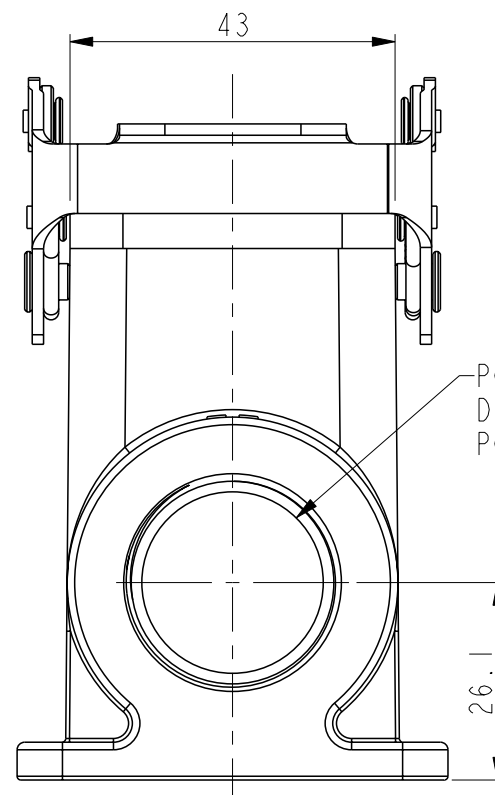
THIS DRAWING IS UNPUBLISHED. RELEASED FOR PUBLICATION 20  
 © COPYRIGHT 20 BY - ALL RIGHTS RESERVED.

REVISIONS					
P	LTR	DESCRIPTION	DATE	DWN	APVD
A		INITIAL RELEASE	22JUN2015	DL	CW
AI		ECR-17-018760	29DEC2017	CH	CW
B		ECR-20-008190	14SEP2020	WQR	CW



NOTES:  
 1. TECHNICAL CHARACTERISTICS:  
 HOUSING MATERIAL: DIE CAST ALUMINIUM ALLOY  
 SURFACE TREATMENT: POWDER COATED, GREY  
 DEGREE OF PROTECTION: IP65 (MATED)

注释:  
 1. 技术参数:  
 主体材料: 铝合金  
 表面处理: 灰色粉末喷涂  
 防护等级: IP65(配合)



TYPE 1: HIGH CONSTRUCTION + STAINLESS STEEL  
 DOUBLE LOCKING, SIDE ENTRY  
 类型1: 高结构+不锈钢双扣, 侧出

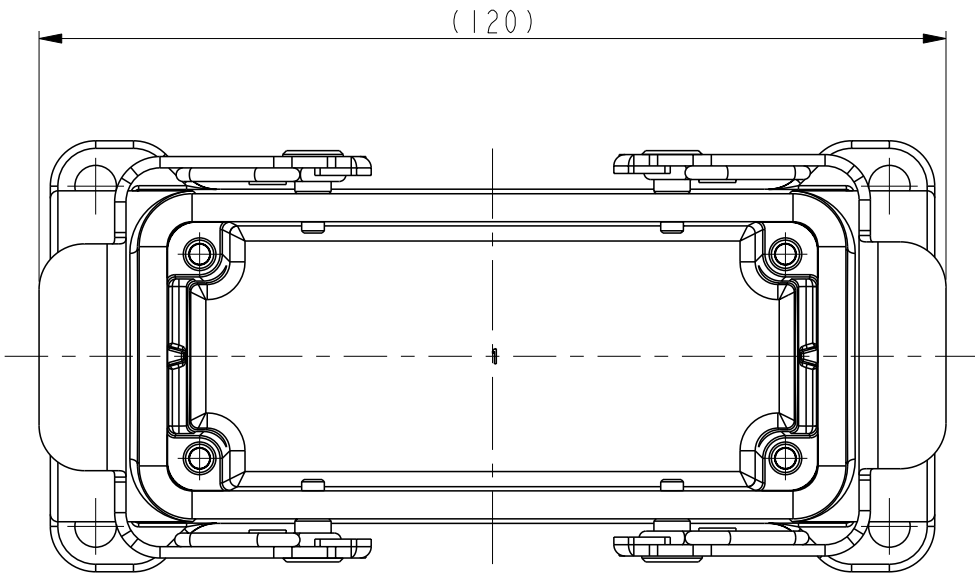
TYPE 2: HIGH CONSTRUCTION + STAINLESS STEEL  
 DOUBLE LOCKING, SIDE ENTRY + BOTTOM CUT OUT,  
 OTHER SPEC REFER TO TYPE 1.  
 类型2: 高结构+不锈钢双扣, 侧出+底部开孔, 其它参照类型1.

THIS DRAWING IS A CONTROLLED DOCUMENT.		DWN DAVID.LI 22JUN2015	TE Connectivity		
DIMENSIONS: mm		CHK CHRIS.WANG 22JUN2015			
TOLERANCES UNLESS OTHERWISE SPECIFIED:		APVD XIANG.XU 22JUN2015	PRODUCT SPEC 108-137013		
0 PLC ±-		APPLICATION SPEC 114-137013		SIZE A2	CAGE CODE -
1 PLC ±		WEIGHT -		DRAWING NO. C-TI47016XXXX000	
2 PLC ±-		CUSTOMER DRAWING		SCALE 1:1	SHEET 1 OF 3
3 PLC ±-				REV B	
4 PLC ±-					
ANGLES ±-					
FINISH -					
-					

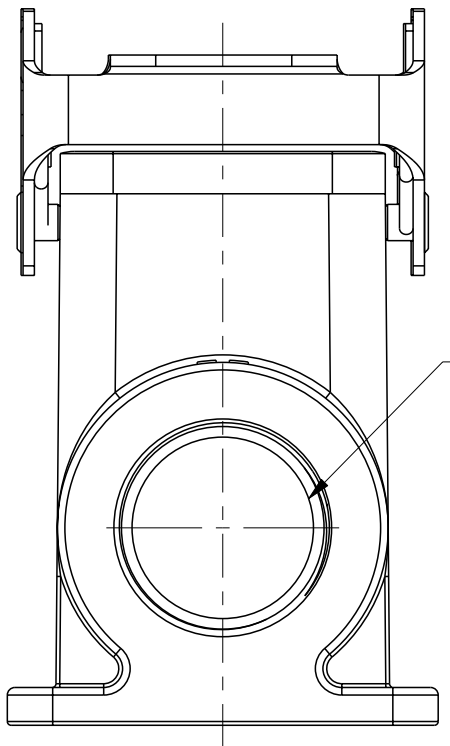
printed on 14 Apr 2021 13:16 (China Standard Time) from TE343646

THIS DRAWING IS UNPUBLISHED. RELEASED FOR PUBLICATION 20  
 © COPYRIGHT 20 BY - ALL RIGHTS RESERVED.

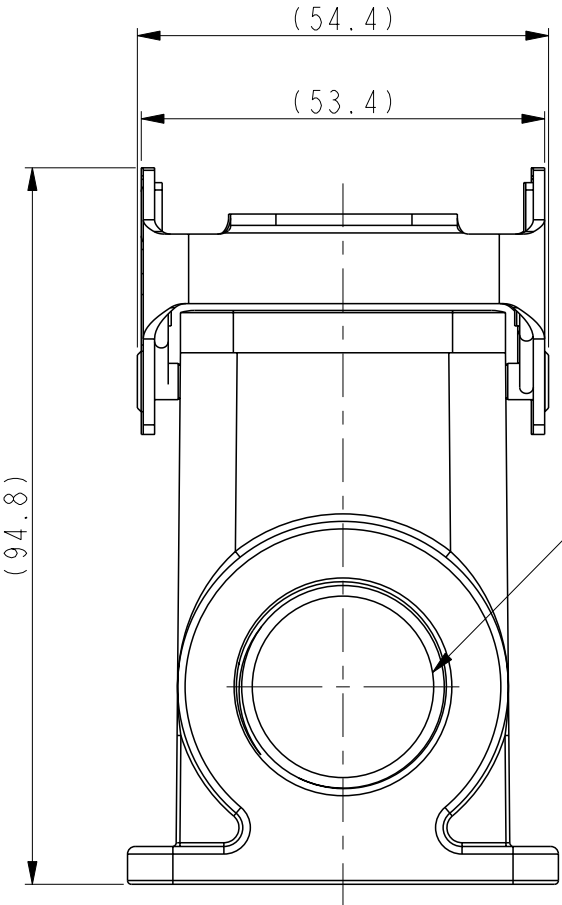
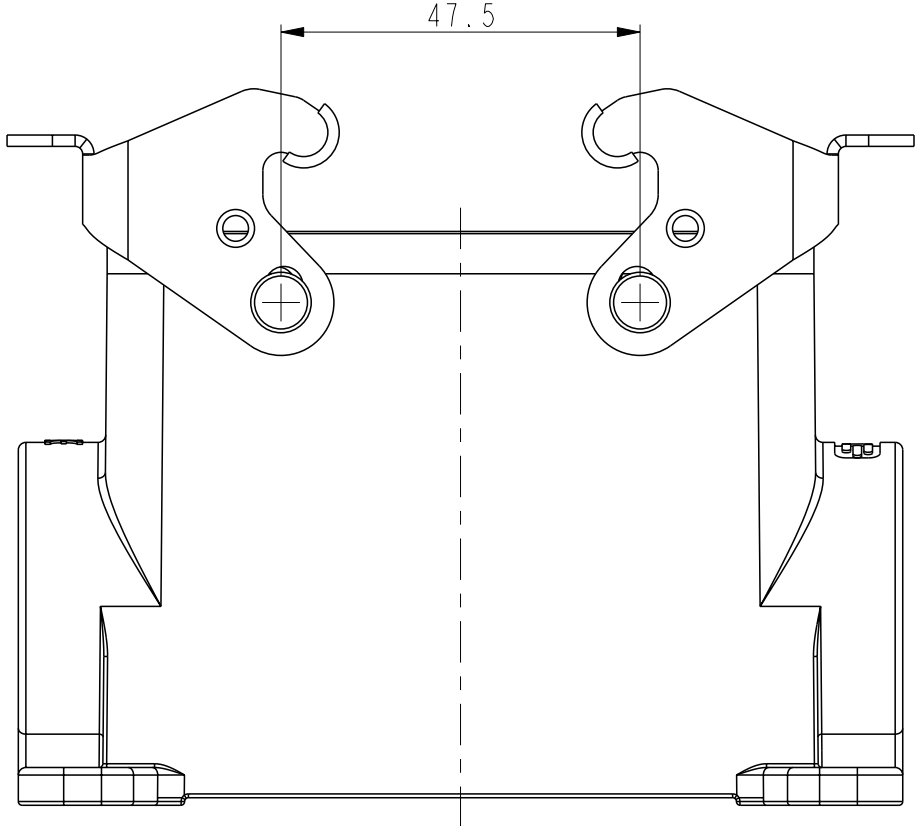
REVISIONS				
P	LTR	DESCRIPTION	DATE	APVD
-		SEE SHEET 1	-	-



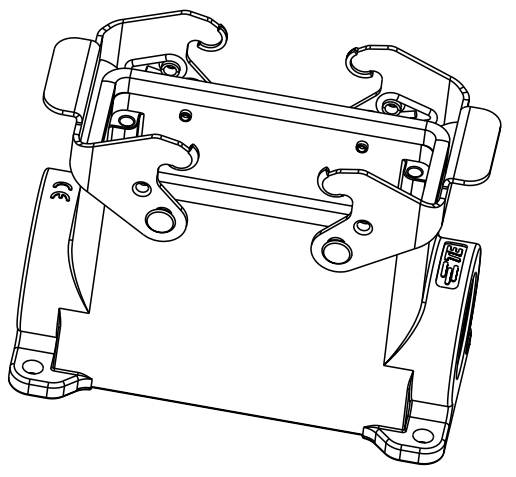
NOTES:  
SEE SHEET 1



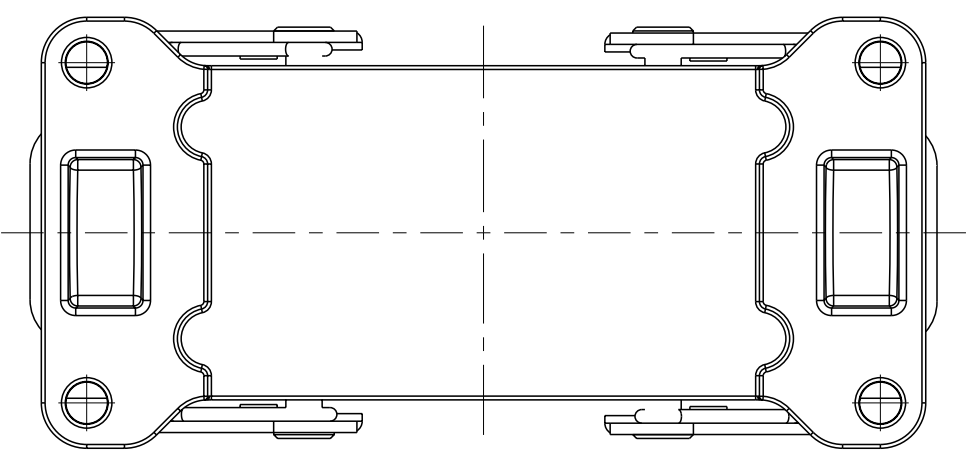
PG/M THREAD 2  
DEPTH MIN 10  
PG/M 螺纹孔2, 深度至少10



PG/M THREAD 1  
DEPTH MIN 10  
PG/M 螺纹孔1, 深度至少10



SCALE 1:2



TYPE 3: HIGH CONSTRUCTION + METAL DOUBLE LOCKING,  
SIDE ENTRY, OTHER SPEC REFER TO TYPE 1.  
类型3: 高结构+彩锌双扣, 侧出, 其它参照类型1.

THIS DRAWING IS A CONTROLLED DOCUMENT.		DWN DAVID.LI 22JUN2015	<b>STE</b> TE Connectivity	
		CHK CHRIS.WANG 22JUN2015		
		APVD XIANG.XU 22JUN2015	NAME HI6B-SGRHS-PG/M	
DIMENSIONS: mm		PRODUCT SPEC 108-137013	SIZE A2	
TOLERANCES UNLESS OTHERWISE SPECIFIED:		APPLICATION SPEC 114-137013	CAGE CODE -	
0 PLC ±-		WEIGHT -	DRAWING NO. C-TI47016XXXX000	
1 PLC ±-		CUSTOMER DRAWING	RESTRICTED TO	
2 PLC ±-		SCALE 1:2	SHEET 2 OF 3	
3 PLC ±-			REV B	
4 PLC ±-				
ANGLES ±-				
FINISH -				

Printed on 14 Apr 2021 13:16 (China Standard Time) from TE343646


THIS DRAWING IS UNPUBLISHED. RELEASED FOR PUBLICATION 20  
 © COPYRIGHT 20 BY - ALL RIGHTS RESERVED.

REVISIONS				
P	LTR	DESCRIPTION	DATE	APVD
-		SEE SHEET 1	-	-

NOTES:  
SEE SHEET 1

PART NUMBER 料号	PART DESCRIPTION 描述	PG/M THREAD 1 PG/M 螺纹孔1	PG/M THREAD 2 PG/M 螺纹孔2	TYPE 类型
T1470162232-000	H16B-SGRH-2M32 H16B HOUSING, SURFACE MOUNTED, METAL DOUBLE LOCKING, 2M32, HIGH CONSTRUCTION, POWDER COATED, GREY H16B下壳, 表面安装, 彩锌双扣, 2M32, 高结构, 灰色粉末喷涂	M32	M32	TYPE 3 类型 3
T1470162229-000	H16B-SGRH-2PG29 H16B HOUSING, SURFACE MOUNTED, METAL DOUBLE LOCKING, 2PG29, HIGH CONSTRUCTION, POWDER COATED, GREY H16B下壳, 表面安装, 彩锌双扣, 2PG29, 高结构, 灰色粉末喷涂	PG29	PG29	
T1470162225-000	H16B-SGRH-2M25 H16B HOUSING, SURFACE MOUNTED, METAL DOUBLE LOCKING, 2M25, HIGH CONSTRUCTION, POWDER COATED, GREY H16B下壳, 表面安装, 彩锌双扣, 2M25, 高结构, 灰色粉末喷涂	M25	M25	
T1470162221-000	H16B-SGRH-2PG21 H16B HOUSING, SURFACE MOUNTED, METAL DOUBLE LOCKING, 2PG21, HIGH CONSTRUCTION, POWDER COATED, GREY H16B下壳, 表面安装, 彩锌双扣, 2PG21, 高结构, 灰色粉末喷涂	PG21	PG21	
T1470162132-000	H16B-SGRH-M32 H16B HOUSING, SURFACE MOUNTED, METAL DOUBLE LOCKING, M32, HIGH CONSTRUCTION, POWDER COATED, GREY H16B下壳, 表面安装, 彩锌双扣, M32, 高结构, 灰色粉末喷涂	M32	-	
T1470162129-000	H16B-SGRH-PG29 H16B HOUSING, SURFACE MOUNTED, METAL DOUBLE LOCKING, PG29, HIGH CONSTRUCTION, POWDER COATED, GREY H16B下壳, 表面安装, 彩锌双扣, PG29, 高结构, 灰色粉末喷涂	PG29	-	
T1470162125-000	H16B-SGRH-M25 H16B HOUSING, SURFACE MOUNTED, METAL DOUBLE LOCKING, M25, HIGH CONSTRUCTION, POWDER COATED, GREY H16B下壳, 表面安装, 彩锌双扣, M25, 高结构, 灰色粉末喷涂	M25	-	
T1470162121-000	H16B-SGRH-PG21 H16B HOUSING, SURFACE MOUNTED, METAL DOUBLE LOCKING, PG21, HIGH CONSTRUCTION, POWDER COATED, GREY H16B下壳, 表面安装, 彩锌双扣, PG21, 高结构, 灰色粉末喷涂	PG21	-	TYPE 2 类型2
T1470165121-000	H16B-SGRHS-PG21 H16B HOUSING, SURFACE MOUNTED, STAINLESS STEEL DOUBLE LOCKING, PG21, HIGH CONSTRUCTION, MILL ON BOTTOM, POWDER COATED, GREY H16B下壳, 表面安装, 不锈钢双扣, PG21, 高结构, 底部铣槽, 灰色粉末喷涂	PG21	-	
T1470161232-000	H16B-SGRHS-2M32 H16B HOUSING, SURFACE MOUNTED, STAINLESS STEEL DOUBLE LOCKING, 2M32, HIGH CONSTRUCTION, POWDER COATED, GREY H16B下壳, 表面安装, 不锈钢双扣, 2M32, 高结构, 灰色粉末喷涂	M32	M32	
T1470161229-000	H16B-SGRHS-2PG29 H16B HOUSING, SURFACE MOUNTED, STAINLESS STEEL DOUBLE LOCKING, 2PG29, HIGH CONSTRUCTION, POWDER COATED, GREY H16B下壳, 表面安装, 不锈钢双扣, 2PG29, 高结构, 灰色粉末喷涂	PG29	PG29	TYPE 1 类型1
T1470161221-000	H16B-SGRHS-2PG21 H16B HOUSING, SURFACE MOUNTED, STAINLESS STEEL DOUBLE LOCKING, 2PG21, HIGH CONSTRUCTION, POWDER COATED, GREY H16B下壳, 表面安装, 不锈钢双扣, 2PG21, 高结构, 灰色粉末喷涂	PG21	PG21	
T1470161140-000	H16B-SGRHS-M40 H16B HOUSING, SURFACE MOUNTED, STAINLESS STEEL DOUBLE LOCKING, M40, HIGH CONSTRUCTION, POWDER COATED, GREY H16B下壳, 表面安装, 不锈钢双扣, M40, 高结构, 灰色粉末喷涂	M40	-	
T1470161132-000	H16B-SGRHS-M32 H16B HOUSING, SURFACE MOUNTED, STAINLESS STEEL DOUBLE LOCKING, M32, HIGH CONSTRUCTION, POWDER COATED, GREY H16B下壳, 表面安装, 不锈钢双扣, M32, 高结构, 灰色粉末喷涂	M32	-	
T1470161129-000	H16B-SGRHS-PG29 H16B HOUSING, SURFACE MOUNTED, STAINLESS STEEL DOUBLE LOCKING, PG29, HIGH CONSTRUCTION, POWDER COATED, GREY H16B下壳, 表面安装, 不锈钢双扣, PG29, 高结构, 灰色粉末喷涂	PG29	-	
T1470161121-000	H16B-SGRHS-PG21 H16B HOUSING, SURFACE MOUNTED, STAINLESS STEEL DOUBLE LOCKING, PG21, HIGH CONSTRUCTION, POWDER COATED, GREY H16B下壳, 表面安装, 不锈钢双扣, PG21, 高结构, 灰色粉末喷涂	PG21	-	
T1470160000-000	H16B-SGRHS-T H16B HOUSING, SURFACE MOUNTED, STAINLESS STEEL DOUBLE LOCKING, NO ENTRY, HIGH CONSTRUCTION, POWDER COATED, GREY H16B下壳, 表面安装, 不锈钢双扣, 不开孔, 高结构, 灰色粉末喷涂	-	-	

THIS DRAWING IS A CONTROLLED DOCUMENT.

DWN DAVID.LI 22 JUN 2015	 TE Connectivity NAME H16B-SGRHS-PG/M			
CHK CHRIS.WANG 22 JUN 2015				
APVD XIANG.XU 22 JUN 2015				
PRODUCT SPEC 108-137013				
APPLICATIOIN SPEC 114-137013	SIZE A2	CAGE CODE -	DRAWING NO. C-T147016XXXX000	RESTRICTED TO
MATERIAL -	WEIGHT -	SCALE 1:1		SHEET 3 OF 3
CUSTOMER DRAWING		REV B		

Printed on 14 Apr 2021 13:16 (China Standard Time) from TE343646

## X-ON Electronics

Largest Supplier of Electrical and Electronic Components

*Click to view similar products for [Heavy Duty Power Connectors](#) category:*

*Click to view products by [TE Connectivity](#) manufacturer:*

Other Similar products are found below :

[647757-1](#) [6643411-1](#) [6646058-2](#) [6646137-1](#) [6646138-1](#) [6646479-1](#) [6646608-1](#) [6646786-1](#) [6646940-1](#) [6651091-1](#) [6651525-1](#) [6651529-1](#)  
[6651788-1](#) [696475-1](#) [702-32-01109](#) [703-25-02205](#) [73000005059](#) [73000005642](#) [73080255059](#) [73080965046](#) [765-15-0080A](#) [765-16-0080B](#)  
[765-18-0080D](#) [829992-1](#) [902-77-02113](#) [PS00/A0620/6300](#) [PS25/A0420/63](#) [129-1J](#) [1409400](#) [AN0024023](#) [E6374G1](#) [e6389g2](#) [157-43GW8](#)  
[MS3117-14AC](#) [1643543-1](#) [1650540-1](#) [1651811-2](#) [1766260-1](#) [1766282-1](#) [1766966-1](#) [1791340000](#) [NLDFT-3-BL-L-S120-M40A](#) [NLDFT-N-](#)  
[W-L-C240-M40B](#) [NLS-2-R-C240-M40B](#) [NLS-N-W-C240-M40B](#) [NPS-3-BL-T6](#) [1986615-1](#) [2-1589900-8](#) [2199314-1](#) [KA8102](#)