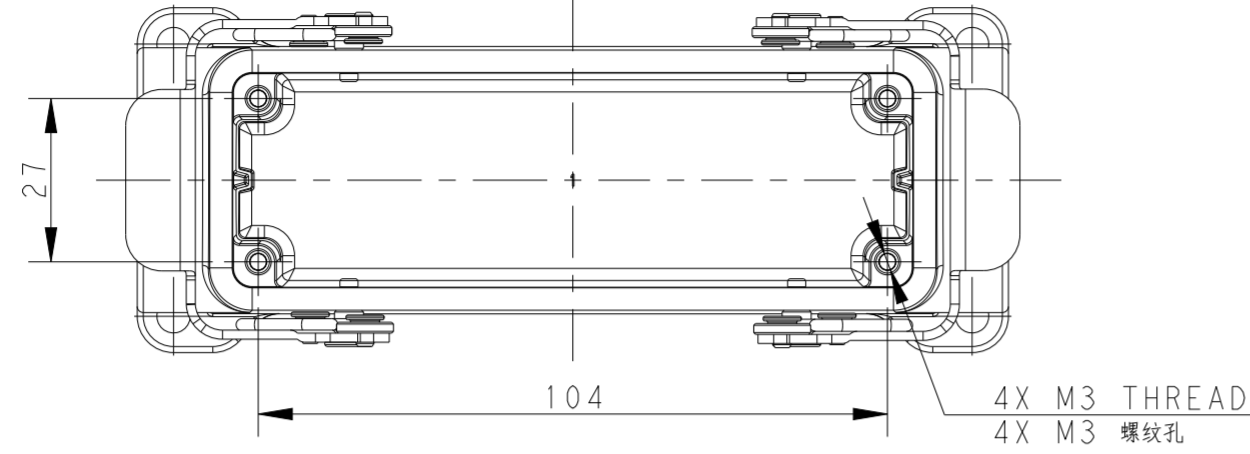


THIS DRAWING IS UNPUBLISHED. RELEASED FOR PUBLICATION 20
 © COPYRIGHT 20 BY - ALL RIGHTS RESERVED.

REVISIONS					
P	LTR	DESCRIPTION	DATE	DWN	APVD
	A	INITIAL	30DEC2016	DL	CW
	A1	ECR-16-018258	30DEC2016	BS	CW
	B	ECR-18-016391	22OCT2018	GY	CW
	C	ECR-20-014876	21JUL2021	WOR	CW

TYPE I: HIGH CONSTRUCTION + STATINLESS STEEL LOCKING.
 类型 I: 高结构+不锈钢双扣.

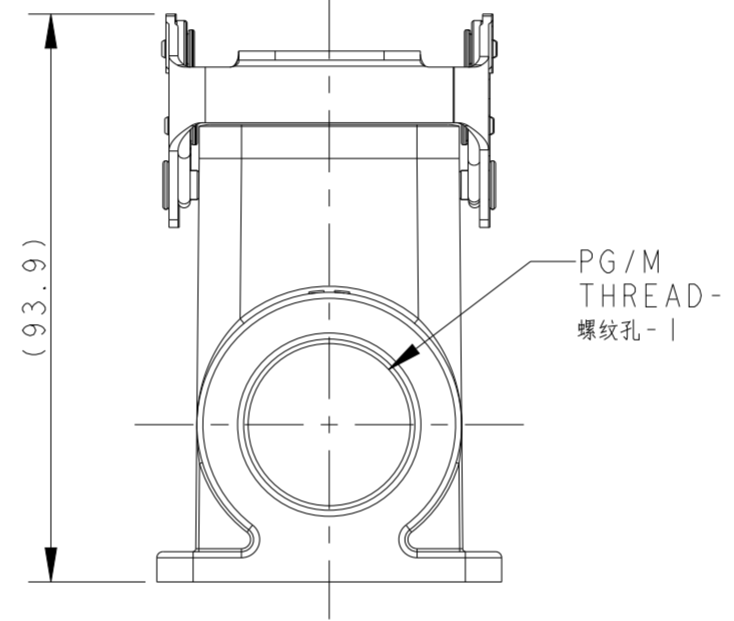
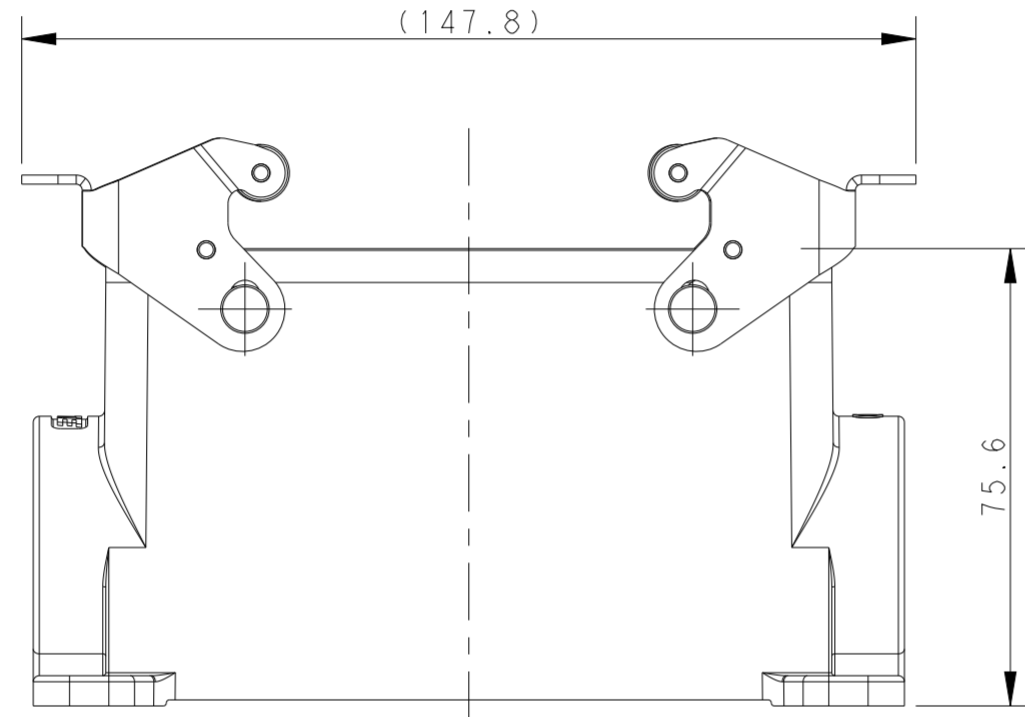
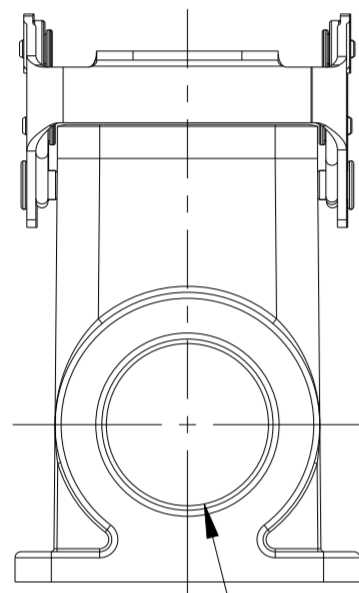


NOTES:

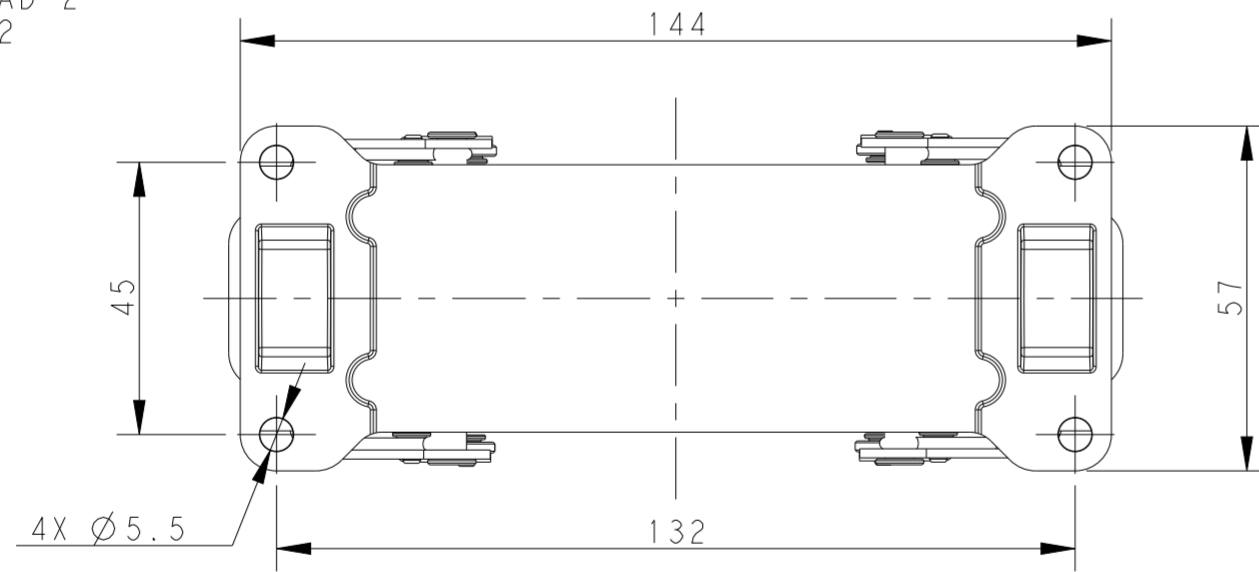
1. TECHNICAL CHARACTERISTICS:
 HOUSING MATERIAL: DIE CAST ALUMINIUM ALLOY
 HOUSING SURFACE: POWDER COATED, GREY
 DEGREE OF PROTECTION: IP65 (MATED)

注释:

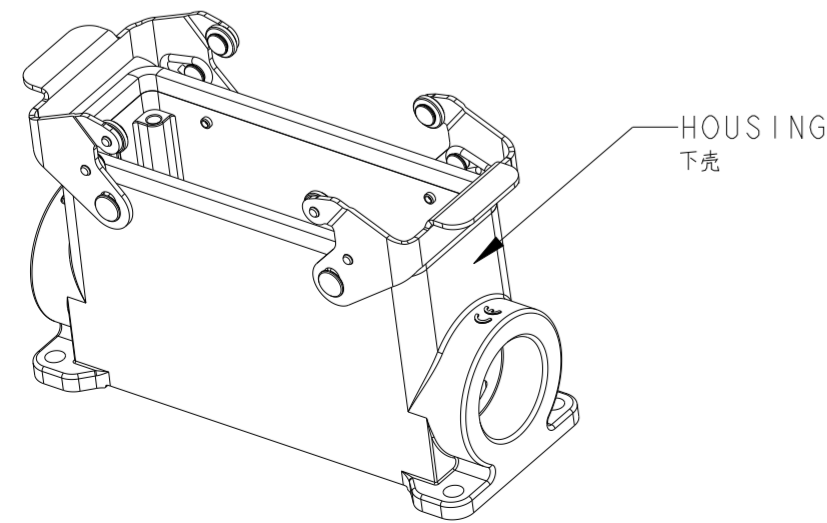
1. 技术参数:
 下壳材料: 铝合金
 下壳表面处理: 灰色粉末喷涂
 防护等级: IP65(配合)



PG/M
 THREAD-2
 螺纹孔-2



T1470241121-000	H24B-SGRHS-PG21	H24B HOUSING, SURFACE MOUNTED, STAINLESS STEEL DOUBLE LOCKING, PG21, HIGH CONSTRUCTION, POWDER COATED, GREY H24B下壳, 表面安装, 不锈钢双扣, PG21, 高结构, 灰色粉末喷涂	PG21	-	TYPE I 类型 I
T1470241129-000	H24B-SGRHS-PG29	H24B HOUSING, SURFACE MOUNTED, STAINLESS STEEL DOUBLE LOCKING, PG29, HIGH CONSTRUCTION, POWDER COATED, GREY H24B下壳, 表面安装, 不锈钢双扣, PG29, 高结构, 灰色粉末喷涂	PG29	-	
T1470241132-000	H24B-SGRHS-M32	H24B HOUSING, SURFACE MOUNTED, STAINLESS STEEL DOUBLE LOCKING, M32, HIGH CONSTRUCTION, POWDER COATED, GREY H24B下壳, 表面安装, 不锈钢双扣, M32, 高结构, 灰色粉末喷涂	M32	-	
T1470241221-000	H24B-SGRHS-2PG21	H24B HOUSING, SURFACE MOUNTED, STAINLESS STEEL DOUBLE LOCKING, 2PG21, HIGH CONSTRUCTION, POWDER COATED, GREY H24B下壳, 表面安装, 不锈钢双扣, 2PG21, 高结构, 灰色粉末喷涂	PG21	PG21	
T1470241229-000	H24B-SGRHS-2PG29	H24B HOUSING, SURFACE MOUNTED, STAINLESS STEEL DOUBLE LOCKING, 2PG29, HIGH CONSTRUCTION, POWDER COATED, GREY H24B下壳, 表面安装, 不锈钢双扣, 2PG29, 高结构, 灰色粉末喷涂	PG29	PG29	
T1470241232-000	H24B-SGRHS-2M32	H24B HOUSING, SURFACE MOUNTED, STAINLESS STEEL DOUBLE LOCKING, 2M32, HIGH CONSTRUCTION, POWDER COATED, GREY H24B下壳, 表面安装, 不锈钢双扣, 2M32, 高结构, 灰色粉末喷涂	M32	M32	
PART NUMBER 料号	PART DESCRIPTION 描述		PG/M THREAD-1 螺纹孔-1	PG/M THREAD-2 螺纹孔-2	



THIS DRAWING IS A CONTROLLED DOCUMENT.

DWN	DAVID LI	17JUN2015
CHK	CHRIS WANG	17JUN2015
APVD	XU XIANG	17JUN2015
PRODUCT SPEC	108-137013	
APPLICATION SPEC	114-137013	
WEIGHT	-	
CUSTOMER DRAWING	SCALE	4:5
SHEET	1	OF 2
REV	C	

TE Connectivity

H24B-SGRHS-PG/M

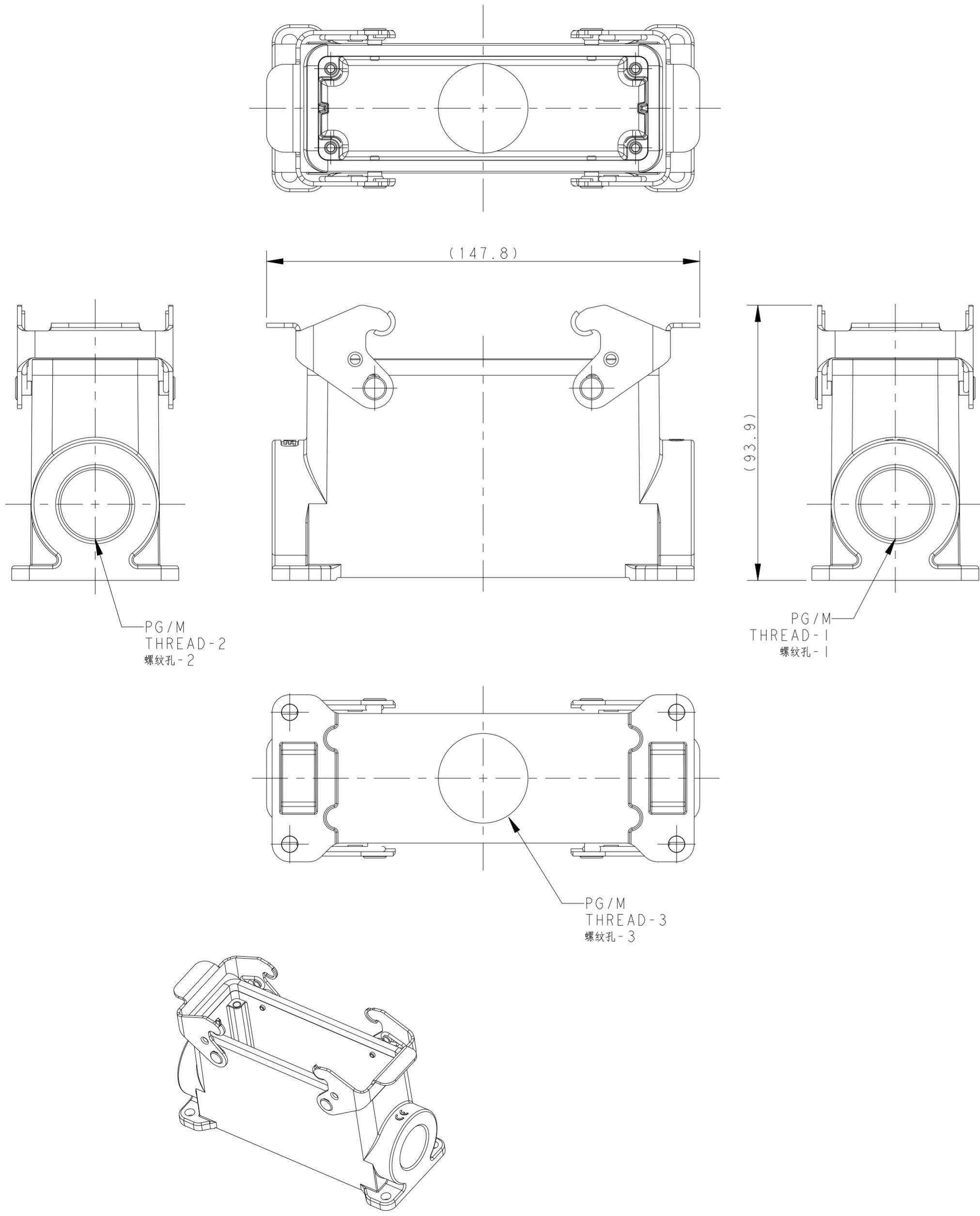
SIZE: A2 CAGE CODE: - DRAWING NO: C-T147024XXXX000 RESTRICTED TO

THIS DRAWING IS UNPUBLISHED. RELEASED FOR PUBLICATION 20
 © COPYRIGHT 20 BY - ALL RIGHTS RESERVED.

REVISIONS					
P	LTR	DESCRIPTION	DATE	DWN	APVD
-		SEE SHEET 1	-	-	-

TYPE 2: HIGH CONSTRUCTION + STELL LOCKING, OTHER SPEC REFER TO TYPE 1.
 类型2: 高结构+彩锌双扣, 其他规格参照类型1.

NOTES:
SEE SHEET 1



PART NUMBER	PART DESCRIPTION	PG/M THREAD-1 螺纹孔-1	PG/M THREAD-2 螺纹孔-2	PG/M THREAD-3 螺纹孔-3	TYPE 类型
T1470242121-000	H24B-SGRH-PG21 H24B HOUSING, SURFACE MOUNTED, METAL DOUBLE LOCKING, PG21, HIGH CONSTRUCTION, POWDER COATED, GREY H24B下壳, 表面安装, 彩锌双扣, PG21, 高结构, 灰色粉末喷涂		PG21	-	-
T1470242125-000	H24B-SGRH-M25 H24B HOUSING, SURFACE MOUNTED, METAL DOUBLE LOCKING, M25, HIGH CONSTRUCTION, POWDER COATED, GREY H24B下壳, 表面安装, 彩锌双扣, M25, 高结构, 灰色粉末喷涂		M25	-	-
T1470242129-000	H24B-SGRH-PG29 H24B HOUSING, SURFACE MOUNTED, METAL DOUBLE LOCKING, PG29, HIGH CONSTRUCTION, POWDER COATED, GREY H24B下壳, 表面安装, 彩锌双扣, PG29, 高结构, 灰色粉末喷涂		PG29	-	-
T1470242132-000	H24B-SGRH-M32 H24B HOUSING, SURFACE MOUNTED, METAL DOUBLE LOCKING, M32, HIGH CONSTRUCTION, POWDER COATED, GREY H24B下壳, 表面安装, 彩锌双扣, M32, 高结构, 灰色粉末喷涂		M32	-	-
T1470242221-000	H24B-SGRH-2PG21 H24B HOUSING, SURFACE MOUNTED, METAL DOUBLE LOCKING, 2PG21, HIGH CONSTRUCTION, POWDER COATED, GREY H24B下壳, 表面安装, 彩锌双扣, 2PG21, 高结构, 灰色粉末喷涂		PG21	PG21	-
T1470242225-000	H24B-SGRH-2M25 H24B HOUSING, SURFACE MOUNTED, METAL DOUBLE LOCKING, 2M25, HIGH CONSTRUCTION, POWDER COATED, GREY H24B下壳, 表面安装, 彩锌双扣, 2M25, 高结构, 灰色粉末喷涂		M25	M25	-
T1470242229-000	H24B-SGRH-2PG29 H24B HOUSING, SURFACE MOUNTED, METAL DOUBLE LOCKING, 2PG29, HIGH CONSTRUCTION, POWDER COATED, GREY H24B下壳, 表面安装, 彩锌双扣, 2PG29, 高结构, 灰色粉末喷涂		PG29	PG29	-
T1470242232-000	H24B-SGRH-2M32 H24B HOUSING, SURFACE MOUNTED, METAL DOUBLE LOCKING, 2M32, HIGH CONSTRUCTION, POWDER COATED, GREY H24B下壳, 表面安装, 彩锌双扣, 2M32, 高结构, 灰色粉末喷涂		M32	M32	-
T1470242921-000	H24B-SGRH-PG21/PG29 H24B HOUSING, SURFACE MOUNTED, METAL DOUBLE LOCKING, PG21/PG29, HIGH CONSTRUCTION, POWDER COATED, GREY H24B下壳, 表面安装, 彩锌双扣, PG21/PG29, 高结构, 灰色粉末喷涂		PG21	PG29	-
T1470242932-000	H24B-SGRH-PG29/M32 H24B HOUSING, SURFACE MOUNTED, METAL DOUBLE LOCKING, PG29/M32, HIGH CONSTRUCTION, POWDER COATED, GREY H24B下壳, 表面安装, 彩锌双扣, PG29/M32, 高结构, 灰色粉末喷涂		PG29	M32	-
T1470243216-000	H24B-SGRH-M32/M16 H24B HOUSING, SURFACE MOUNTED, METAL DOUBLE LOCKING, M32/M16, HIGH CONSTRUCTION, POWDER COATED, GREY H24B下壳, 表面安装, 彩锌双扣, M32/M16, 高结构, 灰色粉末喷涂		M32	M16	-
T1470242229-001	H24B-SGRH-2PG29/M32 H24B HOUSING, SURFACE MOUNTED, METAL DOUBLE LOCKING, 2PG29, BOTTOM ENTRY M32, HIGH CONSTRUCTION, POWDER COATED, GREY H24B下壳, 表面安装, 彩锌双扣, 2PG29, 底出M32, 高结构, 灰色粉末喷涂		PG29	PG29	M32

TYPE 2
类型2

THIS DRAWING IS A CONTROLLED DOCUMENT.

DWN DAVID LI 17JUN2015
CHK CHRIS WANG 17JUN2015
APVD XU XIANG 17JUN2015

PRODUCT SPEC: 108-137013
APPLICATION SPEC: 114-137013

MATERIAL: TBD

TE Connectivity

NAME: H24B-SGRH-PG/M

SIZE: A2 CAGE CODE: - DRAWING NO: C-T147024XXXX000 RESTRICTED TO: C

SCALE: 1:2 SHEET: 2 OF 2 REV: C

X-ON Electronics

Largest Supplier of Electrical and Electronic Components

Click to view similar products for [Heavy Duty Power Connectors](#) category:

Click to view products by [TE Connectivity](#) manufacturer:

Other Similar products are found below :

[6646058-2](#) [6646137-1](#) [6646138-1](#) [6646940-1](#) [6651091-1](#) [6651525-1](#) [6651529-1](#) [696475-1](#) [702-32-01109](#) [73080255059](#) [73080965046](#)
[7310205040001](#) [765-16-0080B](#) [765-18-0080D](#) [902-77-02113](#) [PS00/A0620/6300](#) [AN0024023](#) [154-42B7WM250](#) [MS3117-14AC](#) [1643543-1](#)
[1766966-1](#) [1791340000](#) [NLDFT-3-BL-L-S120-M40A](#) [NLDFT-N-W-L-C240-M40B](#) [1926015-1](#) [NLS-3-BL-C240-M40B](#) [NLS-N-W-C240-](#)
[M40B](#) [NPS-3-BL-T6](#) [2-1589900-8](#) [9300480317](#) [294-0091-01100](#) [296-0040-01100](#) [1-6609148-0](#) [A32595-0049](#) [1766249-1](#) [19000005132](#)
[1926016-1](#) [1-966831-8](#) [AN0024202](#) [AN0264023](#) [279-0841-10100A](#) [281-0334-00100A](#) [RMSB4](#) [419-2083-301](#) [LCDX4/0-14B-X](#) [075-8519-](#)
[001](#) [078238-1613](#) [07.470.3256.0](#) [09000005288](#) [09140240311](#)