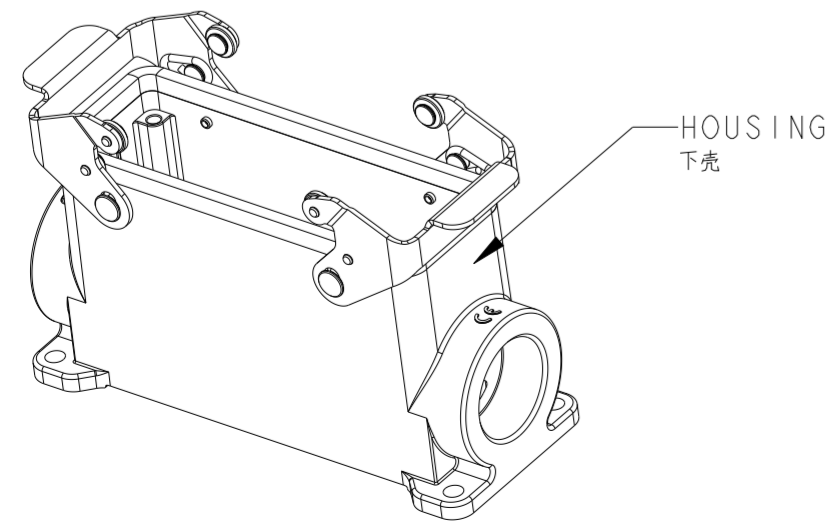
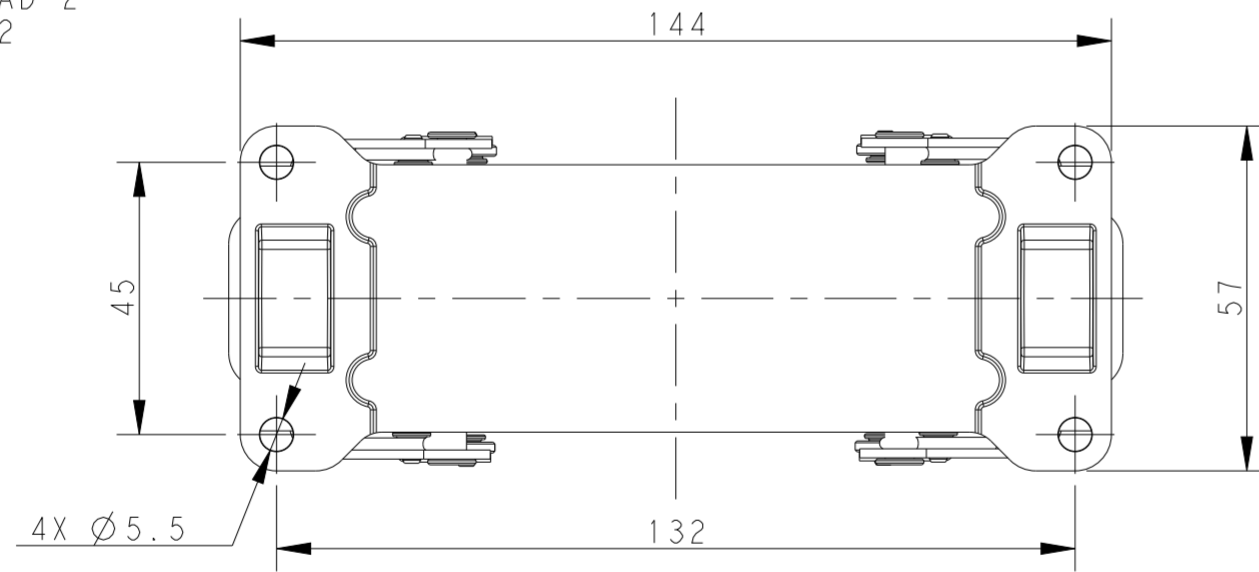
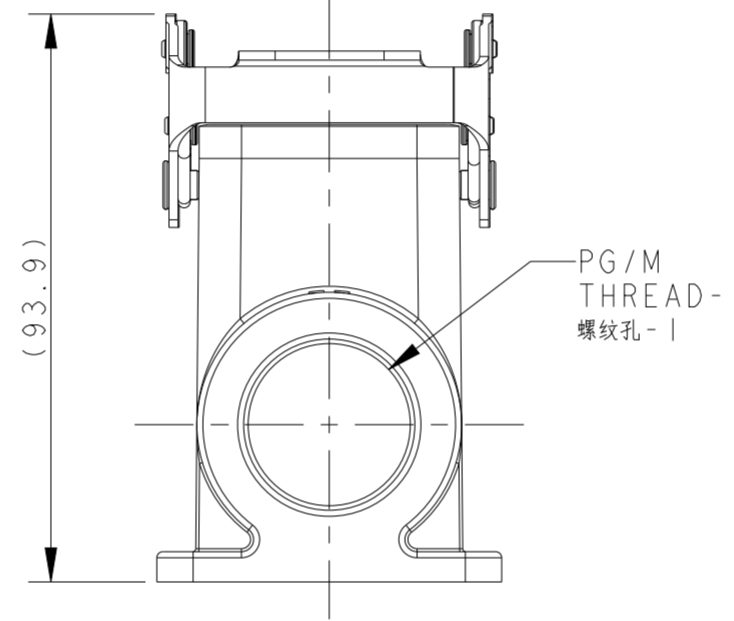
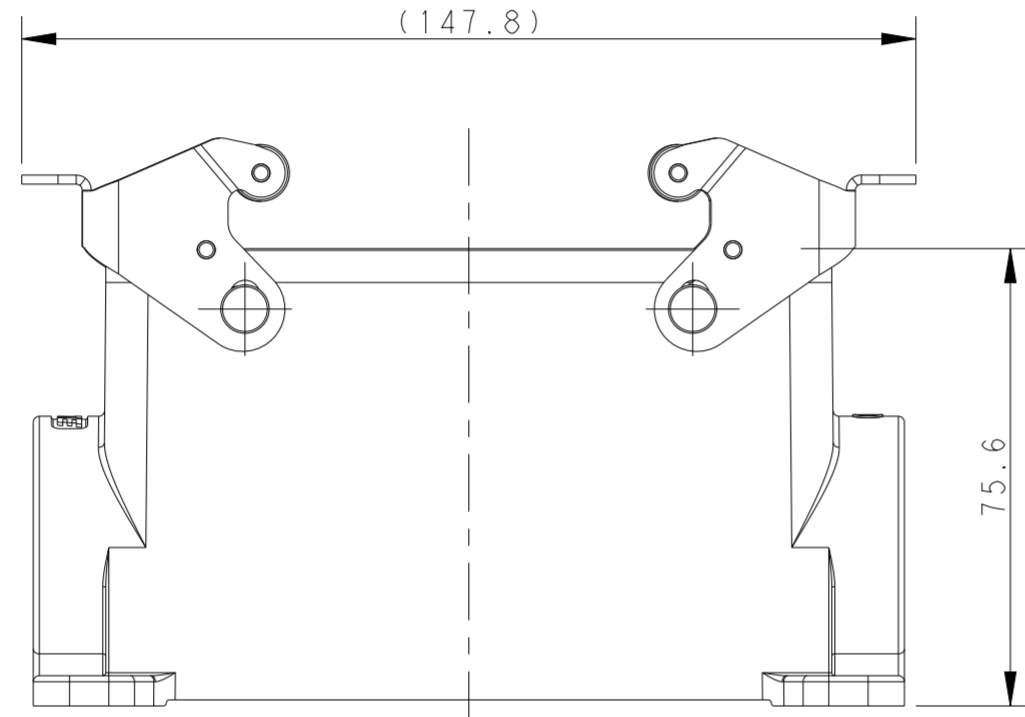
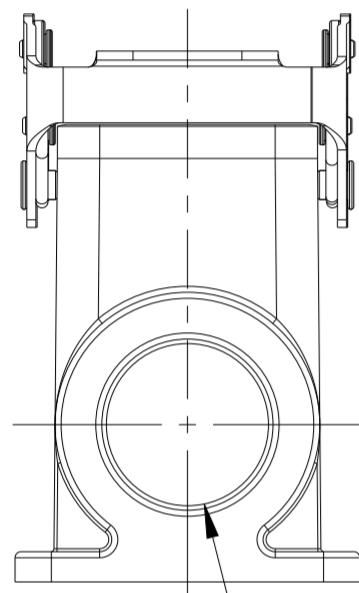
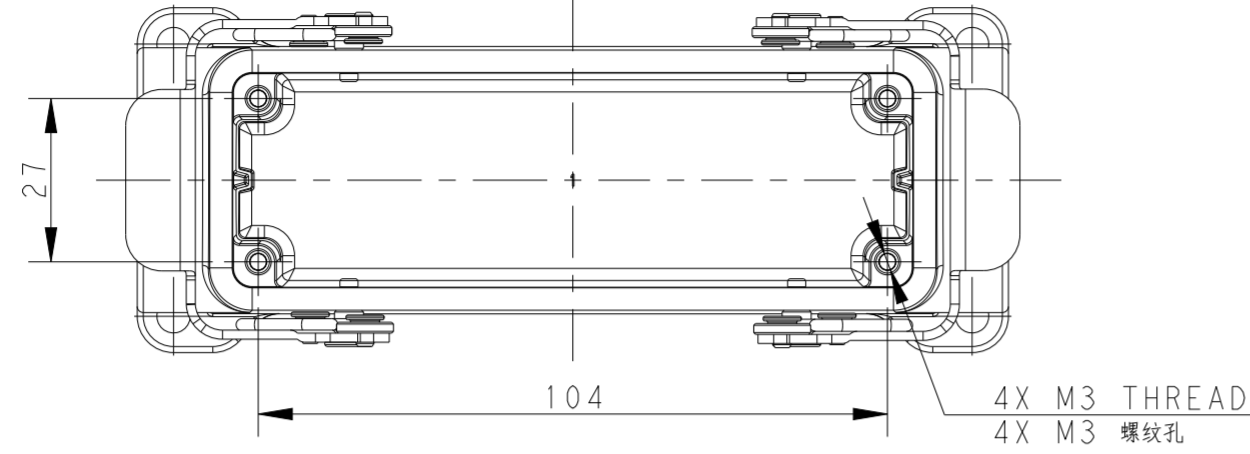


THIS DRAWING IS UNPUBLISHED. RELEASED FOR PUBLICATION 20  
 © COPYRIGHT 20 BY - ALL RIGHTS RESERVED.

| REVISIONS |     |               |           |        |
|-----------|-----|---------------|-----------|--------|
| P         | LTR | DESCRIPTION   | DATE      | APVD   |
| A         |     | INITIAL       | 30DEC2016 | DL CW  |
| A1        |     | ECR-16-018258 | 30DEC2016 | BS CW  |
| B         |     | ECR-18-016391 | 22OCT2018 | GY CW  |
| C         |     | ECR-20-014876 | 21JUL2021 | WOR CW |

TYPE I: HIGH CONSTRUCTION + STATINLESS STELL LOCKING.  
 类型 I: 高结构+不锈钢双扣.



NOTES:

- 1. TECHNICAL CHARACTERISTICS:  
 HOUSING MATERIAL: DIE CAST ALUMINIUM ALLOY  
 HOUSING SURFACE: POWDER COATED, GREY  
 DEGREE OF PROTECTION: IP65 (MATED)

注释:

- 1. 技术参数:  
 下壳材料: 铝合金  
 下壳表面处理: 灰色粉末喷涂  
 防护等级: IP65(配合)

|                   |                        |                                                                                                                                                         |                           |            |                |
|-------------------|------------------------|---------------------------------------------------------------------------------------------------------------------------------------------------------|---------------------------|------------|----------------|
| T1470241121-000   | H24B-SGRHS-PG21        | H24B HOUSING, SURFACE MOUNTED, STAINLESS STEEL DOUBLE LOCKING, PG21, HIGH CONSTRUCTION, POWDER COATED, GREY<br>H24B下壳, 表面安装, 不锈钢双扣, PG21, 高结构, 灰色粉末喷涂   | PG21                      | -          | TYPE I<br>类型 I |
| T1470241129-000   | H24B-SGRHS-PG29        | H24B HOUSING, SURFACE MOUNTED, STAINLESS STEEL DOUBLE LOCKING, PG29, HIGH CONSTRUCTION, POWDER COATED, GREY<br>H24B下壳, 表面安装, 不锈钢双扣, PG29, 高结构, 灰色粉末喷涂   | PG29                      | -          |                |
| T1470241132-000   | H24B-SGRHS-M32         | H24B HOUSING, SURFACE MOUNTED, STAINLESS STEEL DOUBLE LOCKING, M32, HIGH CONSTRUCTION, POWDER COATED, GREY<br>H24B下壳, 表面安装, 不锈钢双扣, M32, 高结构, 灰色粉末喷涂     | M32                       | -          |                |
| T1470241221-000   | H24B-SGRHS-2PG21       | H24B HOUSING, SURFACE MOUNTED, STAINLESS STEEL DOUBLE LOCKING, 2PG21, HIGH CONSTRUCTION, POWDER COATED, GREY<br>H24B下壳, 表面安装, 不锈钢双扣, 2PG21, 高结构, 灰色粉末喷涂 | PG21                      | PG21       |                |
| T1470241229-000   | H24B-SGRHS-2PG29       | H24B HOUSING, SURFACE MOUNTED, STAINLESS STEEL DOUBLE LOCKING, 2PG29, HIGH CONSTRUCTION, POWDER COATED, GREY<br>H24B下壳, 表面安装, 不锈钢双扣, 2PG29, 高结构, 灰色粉末喷涂 | PG29                      | PG29       |                |
| T1470241232-000   | H24B-SGRHS-2M32        | H24B HOUSING, SURFACE MOUNTED, STAINLESS STEEL DOUBLE LOCKING, 2M32, HIGH CONSTRUCTION, POWDER COATED, GREY<br>H24B下壳, 表面安装, 不锈钢双扣, 2M32, 高结构, 灰色粉末喷涂   | M32                       | M32        |                |
| PART NUMBER<br>料号 | PART DESCRIPTION<br>描述 | PG/M<br>THREAD-1<br>螺纹孔-1                                                                                                                               | PG/M<br>THREAD-2<br>螺纹孔-2 | TYPE<br>类型 |                |

THIS DRAWING IS A CONTROLLED DOCUMENT.

|                  |            |           |
|------------------|------------|-----------|
| DWN              | DAVID LI   | 17JUN2015 |
| CHK              | CHRIS WANG | 17JUN2015 |
| APVD             | XU XIANG   | 17JUN2015 |
| PRODUCT SPEC     | 108-137013 |           |
| APPLICATION SPEC | 114-137013 |           |
| WEIGHT           | -          |           |
| CUSTOMER DRAWING | SCALE      | 4:5       |
| SHEET            | 1          | OF 2      |
| REV              | C          |           |

TE Connectivity

NAME: H24B-SGRHS-PG/M

SIZE: A2

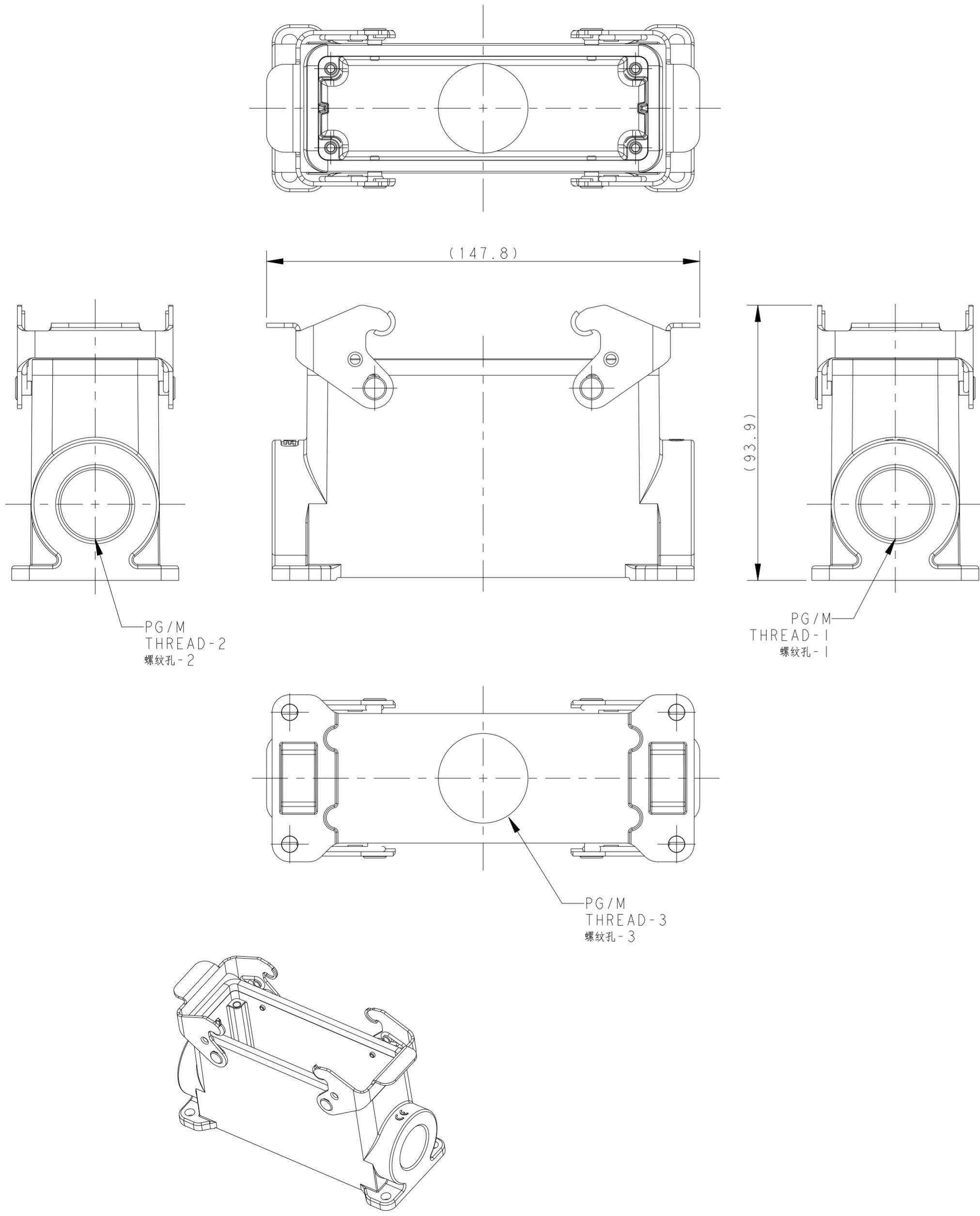
DRAWING NO: C-T147024XXXX000

THIS DRAWING IS UNPUBLISHED. RELEASED FOR PUBLICATION 20  
 © COPYRIGHT 20 BY - ALL RIGHTS RESERVED.

| REVISIONS |     |             |      |     |      |
|-----------|-----|-------------|------|-----|------|
| P         | LTR | DESCRIPTION | DATE | DWN | APVD |
| -         |     | SEE SHEET 1 | -    | -   | -    |
|           |     |             |      |     |      |
|           |     |             |      |     |      |

TYPE 2: HIGH CONSTRUCTION + STELL LOCKING, OTHER SPEC REFER TO TYPE 1.  
 类型2: 高结构+彩锌双扣, 其他规格参照类型1.

NOTES:  
SEE SHEET 1



| PART NUMBER     | PART DESCRIPTION                                                                                                                                                                             | PG/M THREAD-1 螺纹孔-1 | PG/M THREAD-2 螺纹孔-2 | PG/M THREAD-3 螺纹孔-3 | TYPE 类型 |
|-----------------|----------------------------------------------------------------------------------------------------------------------------------------------------------------------------------------------|---------------------|---------------------|---------------------|---------|
| T1470242121-000 | H24B-SGRH-PG21<br>H24B HOUSING, SURFACE MOUNTED, METAL DOUBLE LOCKING, PG21, HIGH CONSTRUCTION, POWDER COATED, GREY<br>H24B下壳, 表面安装, 彩锌双扣, PG21, 高结构, 灰色粉末喷涂                                 |                     |                     |                     |         |
| T1470242125-000 | H24B-SGRH-M25<br>H24B HOUSING, SURFACE MOUNTED, METAL DOUBLE LOCKING, M25, HIGH CONSTRUCTION, POWDER COATED, GREY<br>H24B下壳, 表面安装, 彩锌双扣, M25, 高结构, 灰色粉末喷涂                                    |                     |                     |                     |         |
| T1470242129-000 | H24B-SGRH-PG29<br>H24B HOUSING, SURFACE MOUNTED, METAL DOUBLE LOCKING, PG29, HIGH CONSTRUCTION, POWDER COATED, GREY<br>H24B下壳, 表面安装, 彩锌双扣, PG29, 高结构, 灰色粉末喷涂                                 |                     |                     |                     |         |
| T1470242132-000 | H24B-SGRH-M32<br>H24B HOUSING, SURFACE MOUNTED, METAL DOUBLE LOCKING, M32, HIGH CONSTRUCTION, POWDER COATED, GREY<br>H24B下壳, 表面安装, 彩锌双扣, M32, 高结构, 灰色粉末喷涂                                    |                     |                     |                     |         |
| T1470242221-000 | H24B-SGRH-2PG21<br>H24B HOUSING, SURFACE MOUNTED, METAL DOUBLE LOCKING, 2PG21, HIGH CONSTRUCTION, POWDER COATED, GREY<br>H24B下壳, 表面安装, 彩锌双扣, 2PG21, 高结构, 灰色粉末喷涂                              |                     |                     |                     |         |
| T1470242225-000 | H24B-SGRH-2M25<br>H24B HOUSING, SURFACE MOUNTED, METAL DOUBLE LOCKING, 2M25, HIGH CONSTRUCTION, POWDER COATED, GREY<br>H24B下壳, 表面安装, 彩锌双扣, 2M25, 高结构, 灰色粉末喷涂                                 |                     |                     |                     |         |
| T1470242229-000 | H24B-SGRH-2PG29<br>H24B HOUSING, SURFACE MOUNTED, METAL DOUBLE LOCKING, 2PG29, HIGH CONSTRUCTION, POWDER COATED, GREY<br>H24B下壳, 表面安装, 彩锌双扣, 2PG29, 高结构, 灰色粉末喷涂                              |                     |                     |                     |         |
| T1470242232-000 | H24B-SGRH-2M32<br>H24B HOUSING, SURFACE MOUNTED, METAL DOUBLE LOCKING, 2M32, HIGH CONSTRUCTION, POWDER COATED, GREY<br>H24B下壳, 表面安装, 彩锌双扣, 2M32, 高结构, 灰色粉末喷涂                                 |                     |                     |                     |         |
| T1470242921-000 | H24B-SGRH-PG21/PG29<br>H24B HOUSING, SURFACE MOUNTED, METAL DOUBLE LOCKING, PG21/PG29, HIGH CONSTRUCTION, POWDER COATED, GREY<br>H24B下壳, 表面安装, 彩锌双扣, PG21/PG29, 高结构, 灰色粉末喷涂                  |                     |                     |                     |         |
| T1470242932-000 | H24B-SGRH-PG29/M32<br>H24B HOUSING, SURFACE MOUNTED, METAL DOUBLE LOCKING, PG29/M32, HIGH CONSTRUCTION, POWDER COATED, GREY<br>H24B下壳, 表面安装, 彩锌双扣, PG29/M32, 高结构, 灰色粉末喷涂                     |                     |                     |                     |         |
| T1470243216-000 | H24B-SGRH-M32/M16<br>H24B HOUSING, SURFACE MOUNTED, METAL DOUBLE LOCKING, M32/M16, HIGH CONSTRUCTION, POWDER COATED, GREY<br>H24B下壳, 表面安装, 彩锌双扣, M32/M16, 高结构, 灰色粉末喷涂                        |                     |                     |                     |         |
| T1470242229-001 | H24B-SGRH-2PG29/M32<br>H24B HOUSING, SURFACE MOUNTED, METAL DOUBLE LOCKING, 2PG29, BOTTOM ENTRY M32, HIGH CONSTRUCTION, POWDER COATED, GREY<br>H24B下壳, 表面安装, 彩锌双扣, 2PG29, 底出M32, 高结构, 灰色粉末喷涂 |                     |                     |                     |         |

THIS DRAWING IS A CONTROLLED DOCUMENT.

DWN DAVID LI 17JUN2015  
 CHK CHRIS WANG 17JUN2015  
 APVD XU XIANG 17JUN2015

TE Connectivity

NAME H24B-SGRH-PG/M

PRODUCT SPEC 108-137013  
 APPLICATION SPEC 114-137013

SIZE A2 CAGE CODE - DRAWING NO. C-T147024XXXX000 RESTRICTED TO

MATERIAL TBD FINISH - WEIGHT -

CUSTOMER DRAWING SCALE 1:2 SHEET 2 OF 2 REV C

## X-ON Electronics

Largest Supplier of Electrical and Electronic Components

*Click to view similar products for [Heavy Duty Power Connectors](#) category:*

*Click to view products by [TE Connectivity](#) manufacturer:*

Other Similar products are found below :

[6646058-2](#) [6646137-1](#) [6646138-1](#) [6646940-1](#) [6651091-1](#) [6651525-1](#) [6651529-1](#) [696475-1](#) [702-32-01109](#) [73080255059](#) [73080965046](#)  
[7310205040001](#) [765-16-0080B](#) [765-18-0080D](#) [902-77-02113](#) [PS00/A0620/6300](#) [AN0024023](#) [154-42B7WM250](#) [MS3117-14AC](#) [1643543-1](#)  
[1766966-1](#) [1791340000](#) [NLDFT-3-BL-L-S120-M40A](#) [NLDFT-N-W-L-C240-M40B](#) [1926015-1](#) [NLS-3-BL-C240-M40B](#) [NLS-N-W-C240-](#)  
[M40B](#) [NPS-3-BL-T6](#) [2-1589900-8](#) [9300480317](#) [294-0091-01100](#) [296-0040-01100](#) [1-6609148-0](#) [A32595-0049](#) [1766249-1](#) [19000005132](#)  
[1926016-1](#) [1-966831-8](#) [AN0024202](#) [AN0264023](#) [279-0841-10100A](#) [281-0334-00100A](#) [RMSB4](#) [419-2083-301](#) [LCDX4/0-14B-X](#) [075-8519-](#)  
[001](#) [078238-1613](#) [07.470.3256.0](#) [09000005288](#) [09140240311](#)