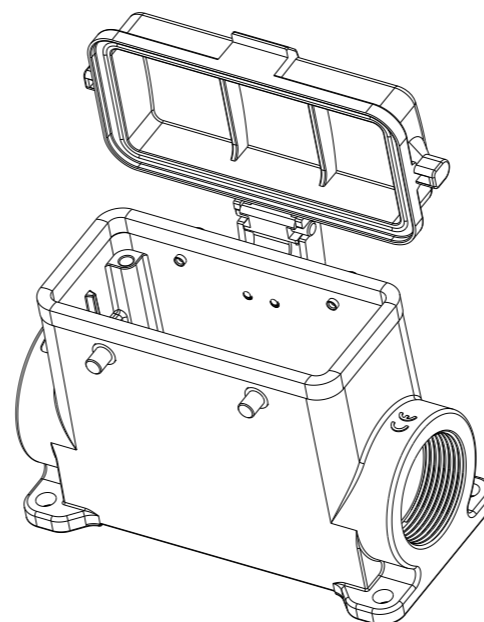
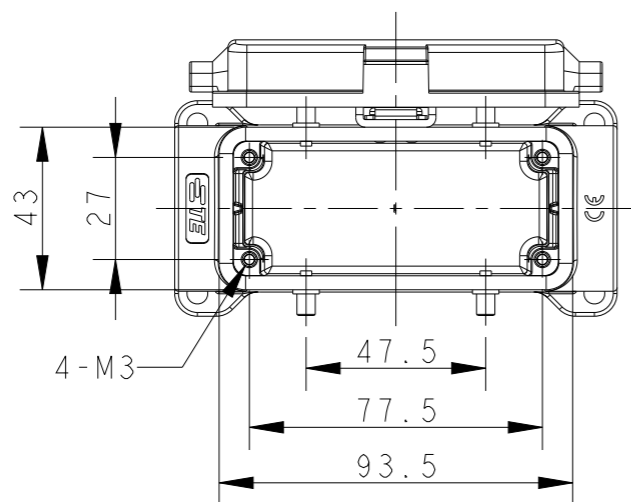
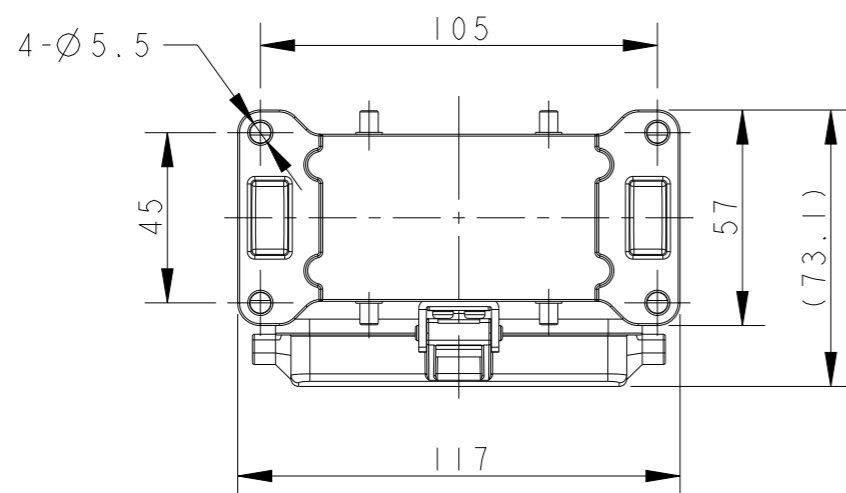
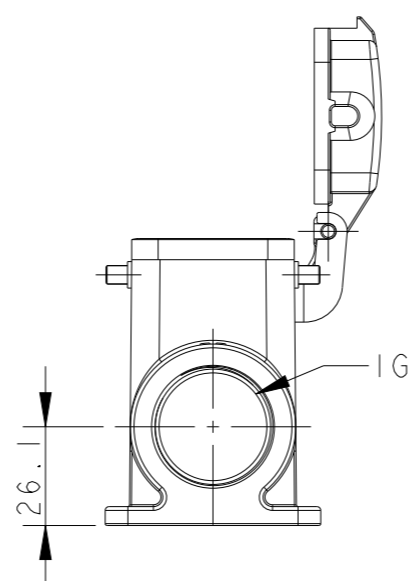
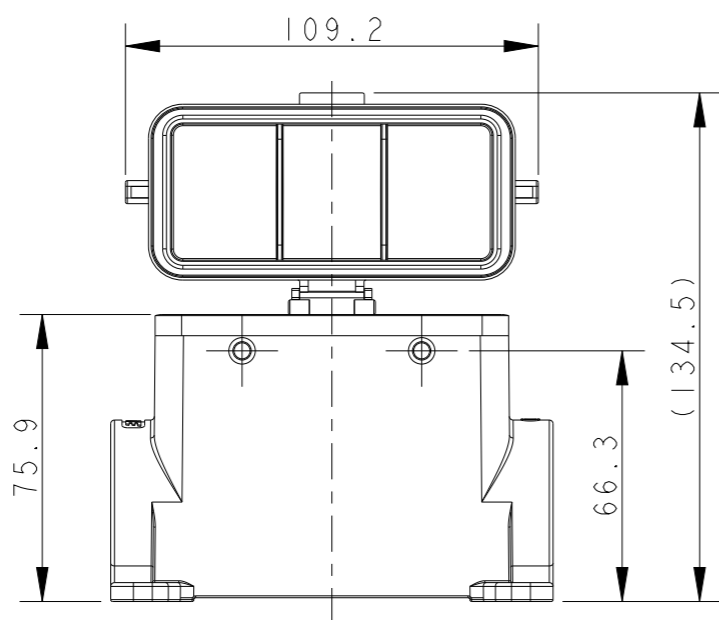
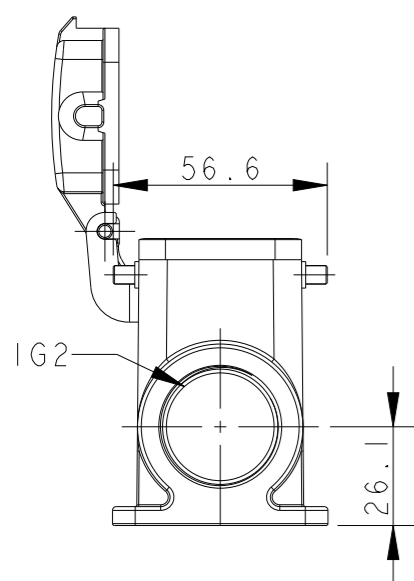


P	LTR	DESCRIPTION	DATE	DWN	APVD
	A	INITIAL RELEASE	23JUN2015	DL	CW
	AI	ECR-18-009192	17SEP2018	YC	CW
	B	ECR-20-008190	14SEP2020	WQR	CW




NOTES:
 1. TECHNICAL CHARACTERISTICS:
 BODY MATERIAL: DIE CAST ALUMINIUM ALLOY
 SURFACE TREATMENT: POWDER-COATED, GRAY
 DEGREE OF PROTECTION: IP65 (MATED)

注释:
 1. 技术参数:
 主体材料: 铝合金
 表面处理: 粉末喷涂, 灰色
 防护等级: IP65(配合)

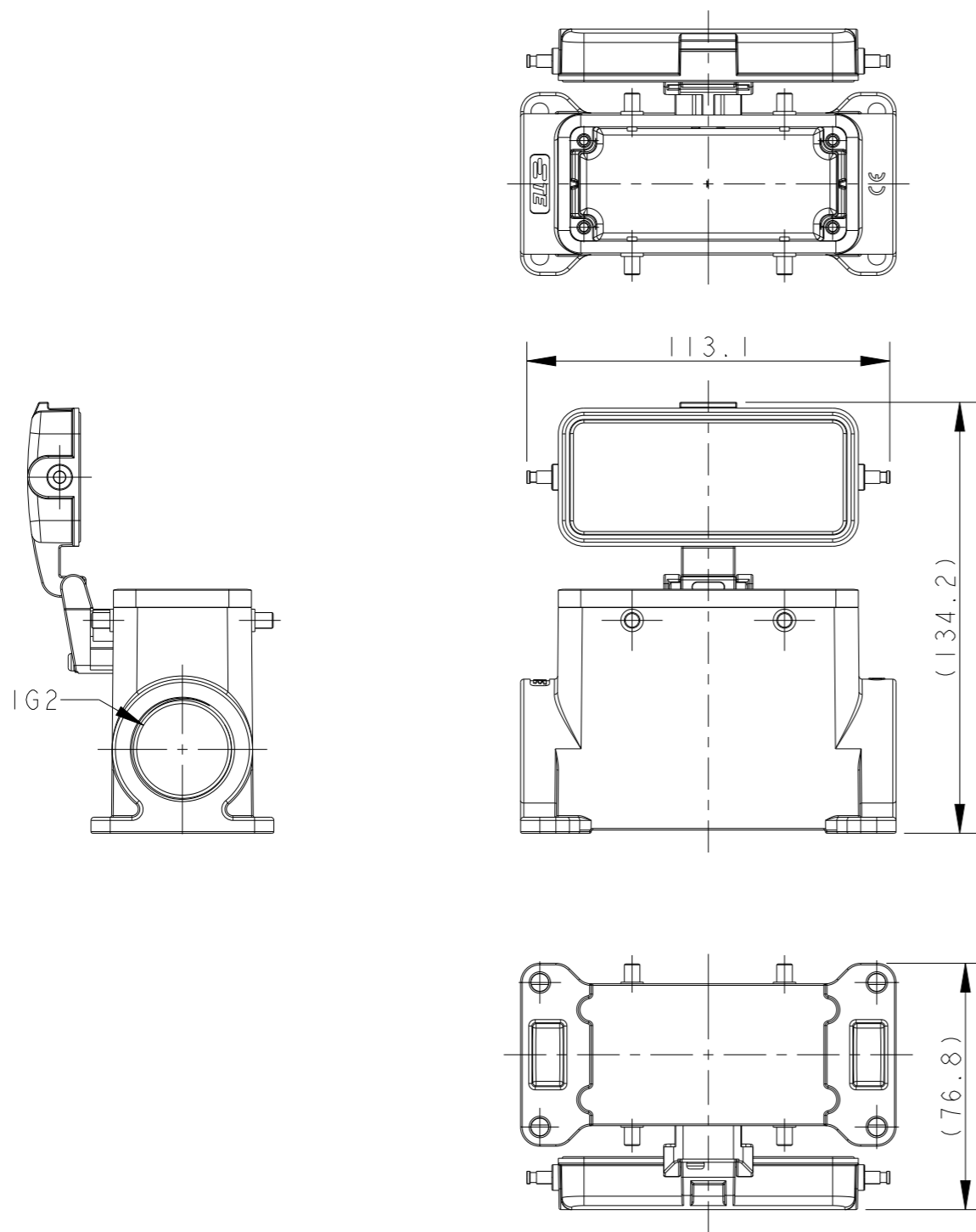


TYPE I: HIGH BODY + PLASTIC PROTECTION COVER
 类型 I: 高结构壳体+塑料固定保护盖

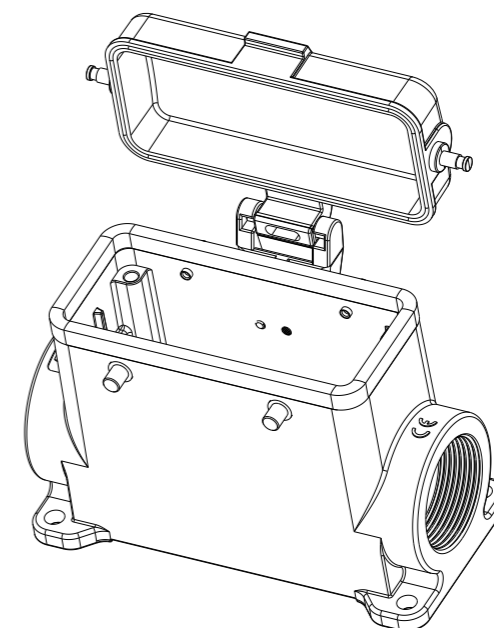
THIS DRAWING IS A CONTROLLED DOCUMENT.		DWN	DAVID LI	23JUN2015	 TE Connectivity NAME H16B-SDRH-BO-PG/M					
DIMENSIONS: mm		CHK	CHRIS WANG	23JUN2015						
TOLERANCES UNLESS OTHERWISE SPECIFIED:		APVD	XU XIANG	23JUN2015						
0 PLC ±- 1 PLC ±- 2 PLC ±- 3 PLC ±- 4 PLC ±- ANGLES ±- FINISH - -		PRODUCT SPEC	108-137013	APPLICATION SPEC		114-137013				
MATERIAL	TBD	WEIGHT	-	CUSTOMER DRAWING	SCALE	1:2	SHEET	1 OF 3	REV	B

REVISIONS

P	LTR	DESCRIPTION	DATE	DWN	APVD
-	-	SEE SHEET 1	-	-	-




NOTES:
SEE SHEET 1.
注释:
见 SHEET 1.



TYPE 2: HIGH BODY + METAL PROTECTION COVER

OTHER SPEC REFER TO TYPE 1

类型 2: 高结构壳体+金属固定保护盖
未注尺寸参照类型 1

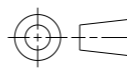
THIS DRAWING IS A CONTROLLED DOCUMENT.		DWN DAVID LI 23JUN2015	 TE Connectivity	
DIMENSIONS: mm		CHK CHRIS WANG 23JUN2015		
TOLERANCES UNLESS OTHERWISE SPECIFIED:		APVD XU XIANG 23JUN2015	NAME H16B-SDRHM-BO-PG/M	
0 PLC ±- 1 PLC ±- 2 PLC ±- 3 PLC ±- 4 PLC ±- ANGLES ±-		PRODUCT SPEC 108-137013	SIZE A3	CAGE CODE -
MATERIAL TBD		APPLICATION SPEC 114-137013	DRAWING NO. C-TI49016XXXX000	
FINISH -		WEIGHT -	RESTRICTED TO	
-		CUSTOMER DRAWING	SCALE 1:2	SHEET 2 OF 3
			REV B	

THIS DRAWING IS UNPUBLISHED. RELEASED FOR PUBLICATION 20
 © COPYRIGHT 20 BY - ALL RIGHTS RESERVED.

REVISIONS					
P	LTR	DESCRIPTION	DATE	DWN	APVD
	-	SEE SHEET 1	-	-	-

T1490160121-000	HI6B-SDRH-BO-PG21	HI6B HOUSING, SURFACE MOUNTED, 4 EAR, PG21, HIGH CONSTRUCTION, PLASTIC PROTECTION COVER, POWDER COATED, GREY / HI6B下壳, 表面安装, 4耳, PG21, 高结构, 带塑料保护盖, 灰色粉末喷涂	PG21	-	TYPE 1 类型 1	
T1490160129-000	HI6B-SDRH-BO-PG29	HI6B HOUSING, SURFACE MOUNTED, 4 EAR, PG29, HIGH CONSTRUCTION, PLASTIC PROTECTION COVER, POWDER COATED, GREY / HI6B下壳, 表面安装, 4耳, PG29, 高结构, 带塑料保护盖, 灰色粉末喷涂	PG29	-		
T1490160125-000	HI6B-SDRH-BO-M25	HI6B HOUSING, SURFACE MOUNTED, 4 EAR, M25, HIGH CONSTRUCTION, PLASTIC PROTECTION COVER, POWDER COATED, GREY / HI6B下壳, 表面安装, 4耳, M25, 高结构, 带塑料保护盖, 灰色粉末喷涂	M25	-		
T1490160132-000	HI6B-SDRH-BO-M32	HI6B HOUSING, SURFACE MOUNTED, 4 EAR, M32, HIGH CONSTRUCTION, PLASTIC PROTECTION COVER, POWDER COATED, GREY / HI6B下壳, 表面安装, 4耳, M32, 高结构, 带塑料保护盖, 灰色粉末喷涂	M32	-		
T1490160221-000	HI6B-SDRH-BO-2PG21	HI6B HOUSING, SURFACE MOUNTED, 4 EAR, 2PG21, HIGH CONSTRUCTION, PLASTIC PROTECTION COVER, POWDER COATED, GREY / HI6B下壳, 表面安装, 4耳, 2PG21, 高结构, 带塑料保护盖, 灰色粉末喷涂	PG21	PG21		
T1490160229-000	HI6B-SDRH-BO-2PG29	HI6B HOUSING, SURFACE MOUNTED, 4 EAR, 2PG29, HIGH CONSTRUCTION, PLASTIC PROTECTION COVER, POWDER COATED, GREY / HI6B下壳, 表面安装, 4耳, 2PG29, 高结构, 带塑料保护盖, 灰色粉末喷涂	PG29	PG29		
T1490160225-000	HI6B-SDRH-BO-2M25	HI6B HOUSING, SURFACE MOUNTED, 4 EAR, 2M25, HIGH CONSTRUCTION, PLASTIC PROTECTION COVER, POWDER COATED, GREY / HI6B下壳, 表面安装, 4耳, 2M25, 高结构, 带塑料保护盖, 灰色粉末喷涂	M25	M25		
T1490160232-000	HI6B-SDRH-BO-2M32	HI6B HOUSING, SURFACE MOUNTED, 4 EAR, 2M32, HIGH CONSTRUCTION, PLASTIC PROTECTION COVER, POWDER COATED, GREY / HI6B下壳, 表面安装, 4耳, 2M32, 高结构, 带塑料保护盖, 灰色粉末喷涂	M32	M32		
T1490161121-000	HI6B-SDRHM-BO-PG21	HI6B HOUSING, SURFACE MOUNTED, 4 EAR, PG21, HIGH CONSTRUCTION, METAL PROTECTION COVER, POWDER COATED, GREY / HI6B下壳, 表面安装, 4耳, PG21, 高结构, 带金属保护盖, 灰色粉末喷涂	PG21	-	TYPE 2 类型 2	
T1490161129-000	HI6B-SDRHM-BO-PG29	HI6B HOUSING, SURFACE MOUNTED, 4 EAR, PG29, HIGH CONSTRUCTION, METAL PROTECTION COVER, POWDER COATED, GREY / HI6B下壳, 表面安装, 4耳, PG29, 高结构, 带金属保护盖, 灰色粉末喷涂	PG29	-		
T1490161132-000	HI6B-SDRHM-BO-M32	HI6B HOUSING, SURFACE MOUNTED, 4 EAR, M32, HIGH CONSTRUCTION, METAL PROTECTION COVER, POWDER COATED, GREY / HI6B下壳, 表面安装, 4耳, M32, 高结构, 带金属保护盖, 灰色粉末喷涂	M32	-		
T1490161221-000	HI6B-SDRHM-BO-2PG21	HI6B HOUSING, SURFACE MOUNTED, 4 EAR, 2PG21, HIGH CONSTRUCTION, METAL PROTECTION COVER, POWDER COATED, GREY / HI6B下壳, 表面安装, 4耳, 2PG21, 高结构, 带金属保护盖, 灰色粉末喷涂	PG21	PG21		
T1490161229-000	HI6B-SDRHM-BO-2PG29	HI6B HOUSING, SURFACE MOUNTED, 4 EAR, 2PG29, HIGH CONSTRUCTION, METAL PROTECTION COVER, POWDER COATED, GREY / HI6B下壳, 表面安装, 4耳, 2PG29, 高结构, 带金属保护盖, 灰色粉末喷涂	PG29	PG29		
T1490161232-000	HI6B-SDRHM-BO-2M32	HI6B HOUSING, SURFACE MOUNTED, 4 EAR, 2M32, HIGH CONSTRUCTION, METAL PROTECTION COVER, POWDER COATED, GREY / HI6B下壳, 表面安装, 4耳, 2M32, 高结构, 带金属保护盖, 灰色粉末喷涂	M32	M32		
PART NUMBER 料号	PART DESCRIPTION 描述			IG1	IG2	TYPE 类型

THIS DRAWING IS A CONTROLLED DOCUMENT.

DIMENSIONS: mm	TOLERANCES UNLESS OTHERWISE SPECIFIED:
	0 PLC ±-
	1 PLC ±-
	2 PLC ±-
	3 PLC ±-
	4 PLC ±-
	ANGLES ±-
MATERIAL TBD	FINISH -

DWN DAVID LI	23JUN2015
CHK CHRIS WANG	23JUN2015
APVD XU XIANG	23JUN2015
PRODUCT SPEC	108-137013
APPLICATION SPEC	114-137013
WEIGHT	-
CUSTOMER DRAWING	

STE TE Connectivity

NAME: HI6B-SDRH-BO-PG/M

SIZE	CAGE CODE	DRAWING NO	RESTRICTED TO
A3	-	©-T149016XXXX000	

SCALE: 1:2 SHEET 3 OF 3 REV B

X-ON Electronics

Largest Supplier of Electrical and Electronic Components

Click to view similar products for [Heavy Duty Power Connectors](#) category:

Click to view products by [TE Connectivity](#) manufacturer:

Other Similar products are found below :

[647757-1](#) [6643411-1](#) [6646058-2](#) [6646137-1](#) [6646138-1](#) [6646479-1](#) [6646608-1](#) [6646786-1](#) [6646940-1](#) [6651091-1](#) [6651525-1](#) [6651529-1](#)
[6651788-1](#) [696475-1](#) [702-32-01109](#) [703-25-02205](#) [73000005059](#) [73000005642](#) [73080255059](#) [73080965046](#) [765-15-0080A](#) [765-16-0080B](#)
[765-18-0080D](#) [829992-1](#) [902-77-02113](#) [PS00/A0620/6300](#) [PS25/A0420/63](#) [129-1J](#) [1409400](#) [AN0024023](#) [E6374G1](#) [e6389g2](#) [157-43GW8](#)
[MS3117-14AC](#) [1643543-1](#) [1650540-1](#) [1651811-2](#) [1766260-1](#) [1766282-1](#) [1766966-1](#) [1791340000](#) [NLDFT-3-BL-L-S120-M40A](#) [NLDFT-N-](#)
[W-L-C240-M40B](#) [NLS-2-R-C240-M40B](#) [NLS-N-W-C240-M40B](#) [NPS-3-BL-T6](#) [1986615-1](#) [2-1589900-8](#) [2199314-1](#) [KA8102](#)