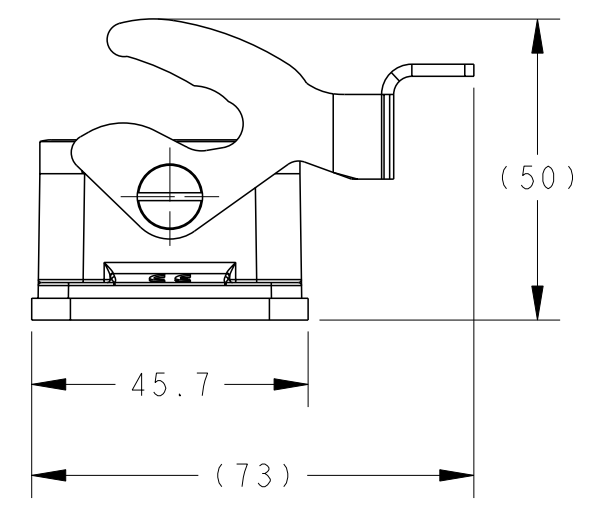
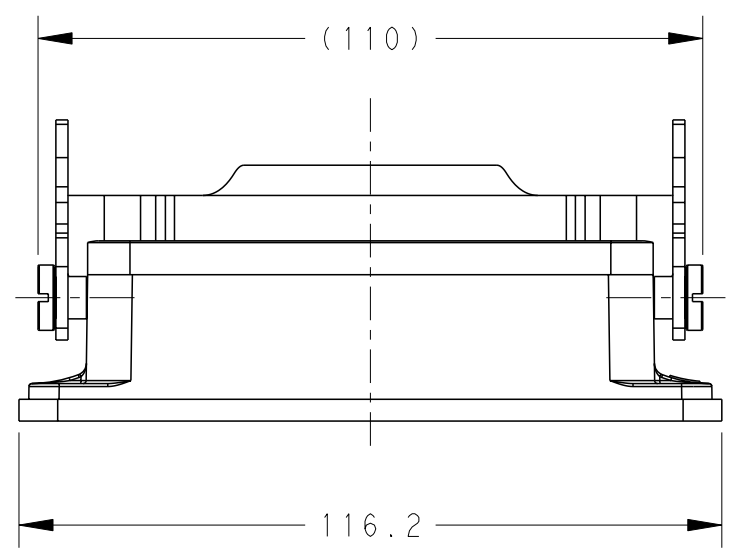


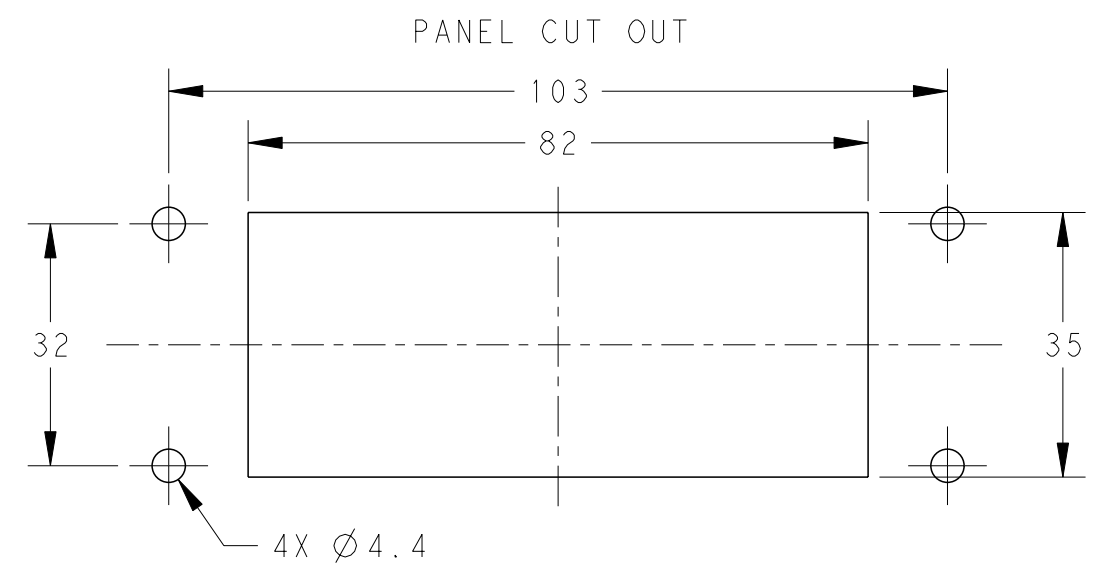
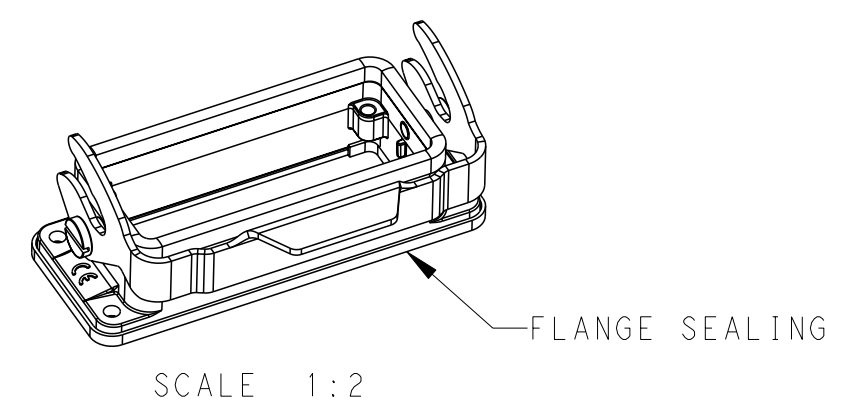
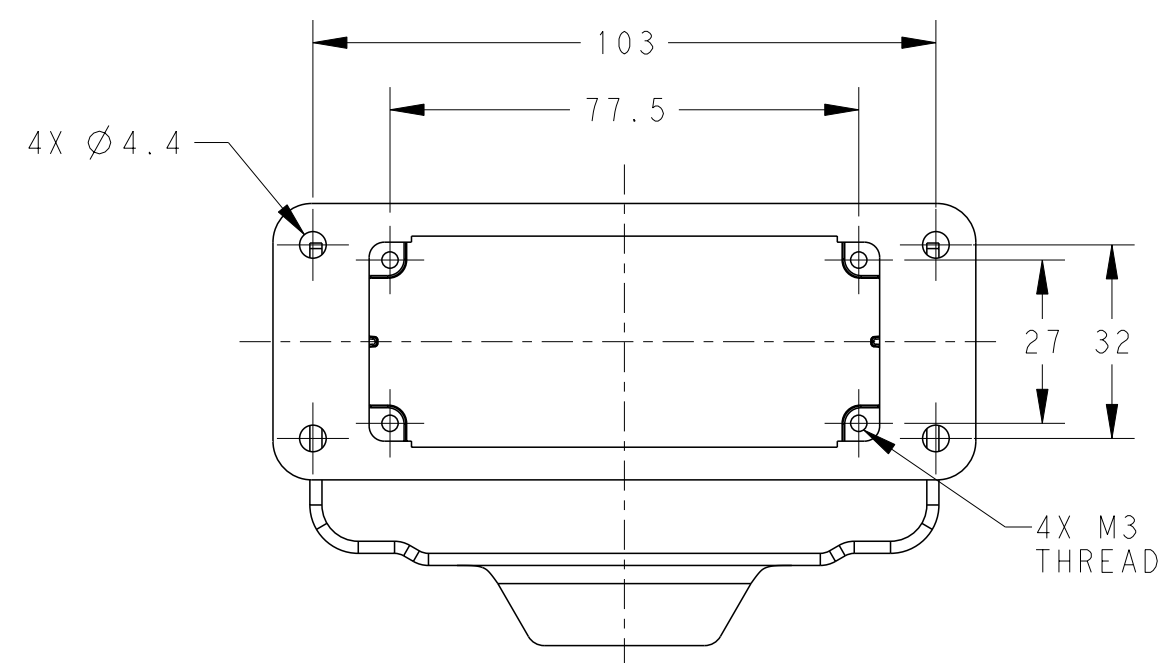
THIS DRAWING IS UNPUBLISHED. RELEASED FOR PUBLICATION 20
 © COPYRIGHT 20 BY - ALL RIGHTS RESERVED.

| REVISIONS | | | | | |
|-----------|-----|---------------|-----------|-----|------|
| P | LTR | DESCRIPTION | DATE | DWN | APVD |
| | A | INITIAL | 10JUN2015 | DW | CW |
| | B | ECR-20-008190 | 14SEP2020 | WQR | CW |
| | | | | | |
| | | | | | |



NOTES:
 1. TECHNICAL CHARACTERISTICS:
 HOUSING MATERIAL: DIE CAST ALUMINIUM ALLOY
 SURFACE: POWDER COATED, GREY
 DEGREE OF PROTECTION: IP65 (MATED)

注释:
 1. 技术参数:
 下壳材料: 铝合金
 表面处理: 粉末涂层, 灰色
 防护等级: IP65 (配合)



| T1500163000-000 | H16B-AG-LB | GREY |
|-----------------|-------------|---|
| T1500163000-100 | H16B-AG-LB | GREY FLANGE SEALING FIXED BY GLUE WITH HOUSING |
| PART NUMBER | DESCRIPTION | HOUSING COLOR |

| | | | | |
|--|--|-----------------------------|------------------|------------|
| THIS DRAWING IS A CONTROLLED DOCUMENT. | | DWN 25JUN2015 David Wang | TE Connectivity | |
| DIMENSIONS: mm | | CHK 25JUN2015 Chris Wang | | |
| TOLERANCES UNLESS OTHERWISE SPECIFIED: | | APVD 25JUN2015 Xiang Xu | NAME H16B-AG-LB | |
| 0 PLC ±- | | PRODUCT SPEC 108-137013 | SIZE | |
| 1 PLC ±- | | APPLICATION SPEC 114-137013 | CAGE CODE | DRAWING NO |
| 2 PLC ±- | | WEIGHT - | RESTRICTED TO | |
| 3 PLC ±- | | Customer Drawing | A300779 | |
| 4 PLC ±- | | | C-T1500163000X00 | |
| ANGLES ±- | | | SCALE 4:5 | |
| FINISH - | | | SHEET 1 OF 1 | |
| - | | | REV B | |

printed on 2 Apr 2021 17:12 (China Standard Time) from TE343646

X-ON Electronics

Largest Supplier of Electrical and Electronic Components

Click to view similar products for [Heavy Duty Power Connectors](#) category:

Click to view products by [TE Connectivity](#) manufacturer:

Other Similar products are found below :

[647757-1](#) [6643411-1](#) [6646058-2](#) [6646137-1](#) [6646138-1](#) [6646479-1](#) [6646608-1](#) [6646786-1](#) [6646940-1](#) [6651091-1](#) [6651525-1](#) [6651529-1](#)
[6651788-1](#) [696475-1](#) [702-32-01109](#) [703-25-02205](#) [73000005059](#) [73000005642](#) [73080255059](#) [73080965046](#) [765-15-0080A](#) [765-16-0080B](#)
[765-18-0080D](#) [829992-1](#) [902-77-02113](#) [PS00/A0620/6300](#) [PS25/A0420/63](#) [129-1J](#) [1409400](#) [AN0024023](#) [E6374G1](#) [e6389g2](#) [157-43GW8](#)
[MS3117-14AC](#) [1643543-1](#) [1650540-1](#) [1651811-2](#) [1766260-1](#) [1766282-1](#) [1766966-1](#) [1791340000](#) [NLDFT-3-BL-L-S120-M40A](#) [NLDFT-N-](#)
[W-L-C240-M40B](#) [NLS-2-R-C240-M40B](#) [NLS-N-W-C240-M40B](#) [NPS-3-BL-T6](#) [1986615-1](#) [2-1589900-8](#) [2199314-1](#) [KA8102](#)