

THIS DRAWING IS UNPUBLISHED.

RELEASED FOR PUBLICATION

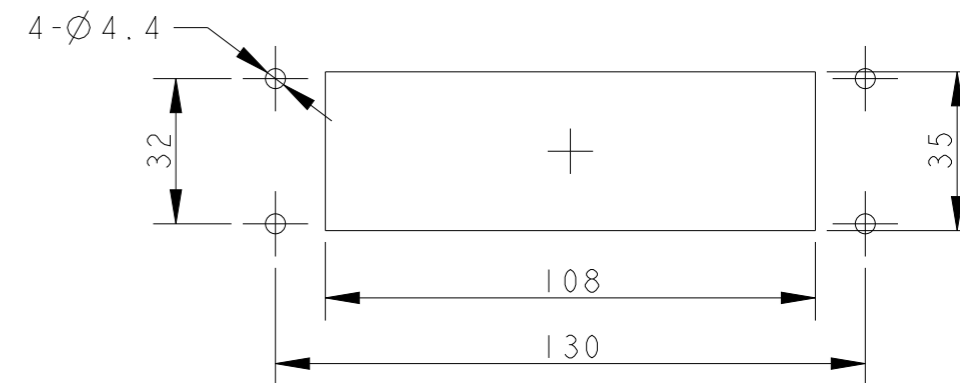
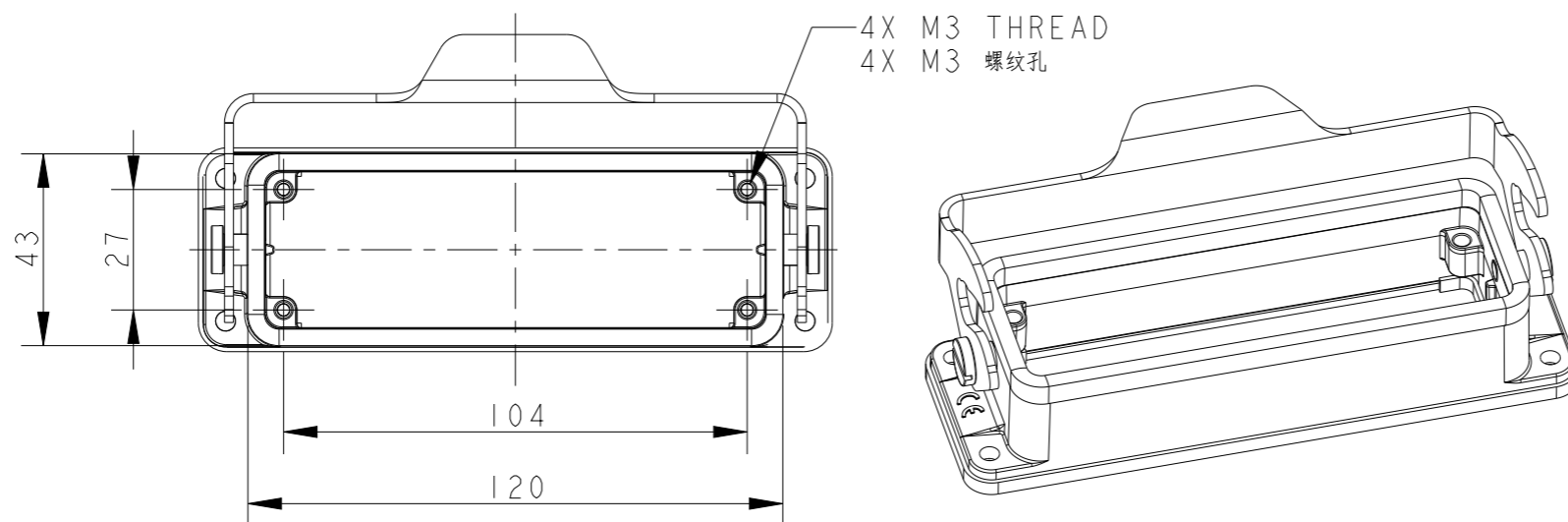
20

© COPYRIGHT 20 BY -

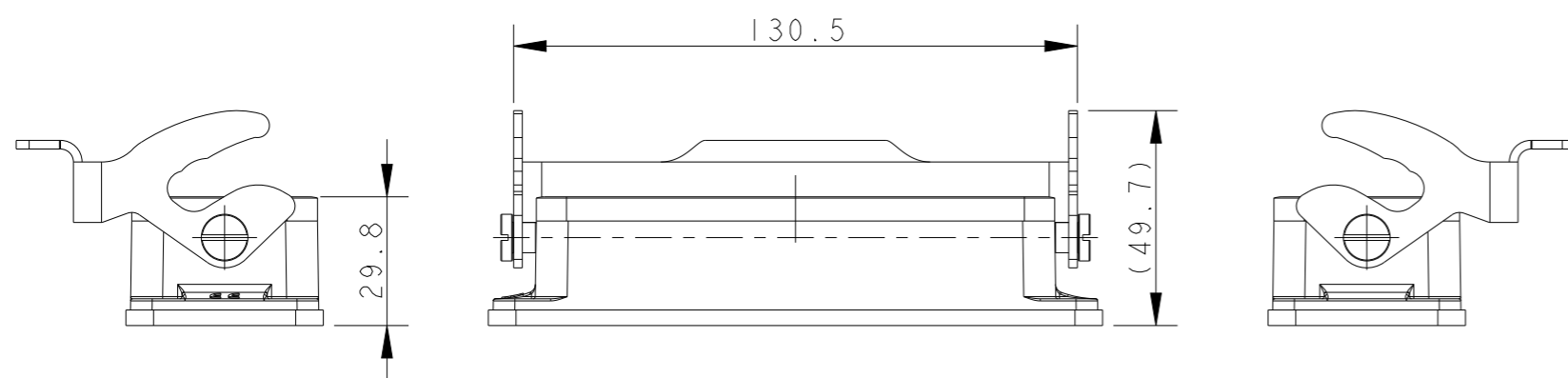
ALL RIGHTS RESERVED.

REVISIONS

P	LTR	DESCRIPTION	DATE	DWN	APVD
	A	INITIAL RELEASE	03JUL2015	DL	CW
	B	ECR-20-014876	23JUL2021	WQR	CW



PANNEL CUT OUT

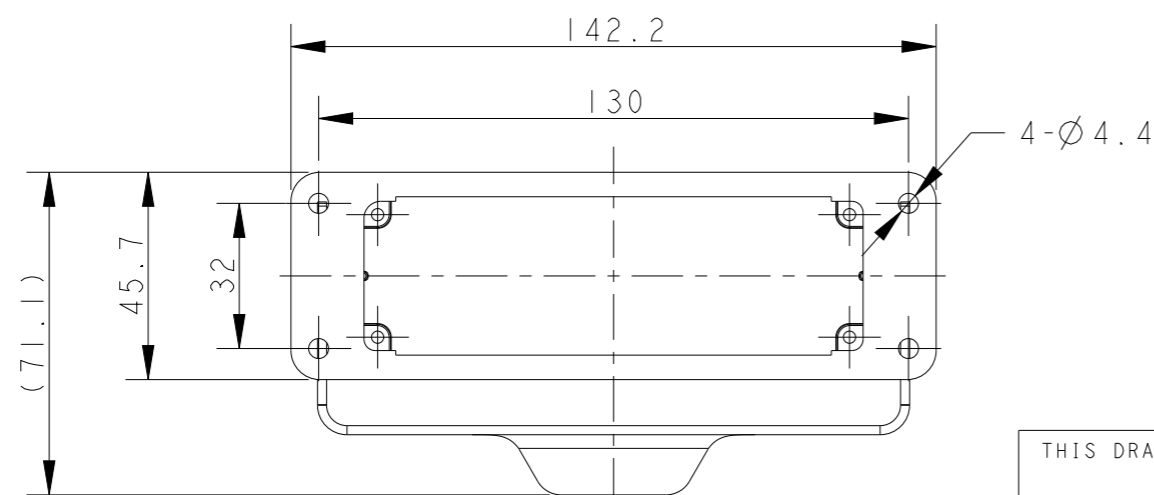


NOTES:


- 1. TECHNICAL CHARACTERISTICS:  
 BODY MATERIAL: DIE CAST ALUMINIUM ALLOY  
 SURFACE TREATMENT: POWDER-COATED, GRAY  
 DEGREE OF PROTECTION: IP65 (MATED)

注释:

- 1. 技术参数:  
 主体材料: 铝合金  
 表面处理: 粉末喷涂, 灰色  
 防护等级: IP65(配合)



T1500243000-000	H24B-AG-LB
ASSEMBLY PART NUMBER	ASSEMBLY PART DESCRIPTION

THIS DRAWING IS A CONTROLLED DOCUMENT.		DWN 03JUL2015 DAVID LI	 TE Connectivity															
DIMENSIONS: mm		CHK 03JUL2015 CHRIS WANG																
TOLERANCES UNLESS OTHERWISE SPECIFIED:		APVD 03JUL2015 XU XIANG	NAME H24B-AG-LB															
<table border="0"> <tr> <td>0 PLC</td> <td>±-</td> </tr> <tr> <td>1 PLC</td> <td>±-</td> </tr> <tr> <td>2 PLC</td> <td>±-</td> </tr> <tr> <td>3 PLC</td> <td>±-</td> </tr> <tr> <td>4 PLC</td> <td>±-</td> </tr> <tr> <td>ANGLES</td> <td>±-</td> </tr> <tr> <td>FINISH</td> <td>-</td> </tr> </table>		0 PLC	±-	1 PLC	±-	2 PLC	±-	3 PLC	±-	4 PLC	±-	ANGLES	±-	FINISH	-	PRODUCT SPEC 108-137013	RESTRICTED TO	
0 PLC	±-																	
1 PLC	±-																	
2 PLC	±-																	
3 PLC	±-																	
4 PLC	±-																	
ANGLES	±-																	
FINISH	-																	
MATERIAL TBD		APPLICATION SPEC 114-137013	SIZE A3	CAGE CODE -														
		WEIGHT -	DRAWING NO C-T1500243000000															
		CUSTOMER DRAWING	SCALE 3:5	SHEET 1 OF 1														
			REV B															

## X-ON Electronics

Largest Supplier of Electrical and Electronic Components

*Click to view similar products for [Heavy Duty Power Connectors](#) category:*

*Click to view products by [TE Connectivity](#) manufacturer:*

Other Similar products are found below :

[647757-1](#) [6643411-1](#) [6646058-2](#) [6646137-1](#) [6646138-1](#) [6646479-1](#) [6646608-1](#) [6646786-1](#) [6646940-1](#) [6651091-1](#) [6651525-1](#) [6651529-1](#)  
[6651788-1](#) [696475-1](#) [702-32-01109](#) [703-25-02205](#) [73000005059](#) [73000005642](#) [73080255059](#) [73080965046](#) [765-15-0080A](#) [765-16-0080B](#)  
[765-18-0080D](#) [829992-1](#) [902-77-02113](#) [PS00/A0620/6300](#) [PS25/A0420/63](#) [129-1J](#) [1409400](#) [AN0024023](#) [E6374G1](#) [e6389g2](#) [157-43GW8](#)  
[MS3117-14AC](#) [1643543-1](#) [1650540-1](#) [1651811-2](#) [1766260-1](#) [1766282-1](#) [1766966-1](#) [1791340000](#) [NLDFT-3-BL-L-S120-M40A](#) [NLDFT-N-](#)  
[W-L-C240-M40B](#) [NLS-2-R-C240-M40B](#) [NLS-N-W-C240-M40B](#) [NPS-3-BL-T6](#) [1986615-1](#) [2-1589900-8](#) [2199314-1](#) [KA8102](#)