

THIS DRAWING IS UNPUBLISHED.

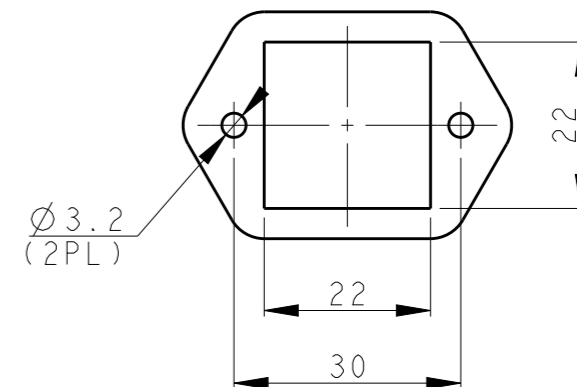
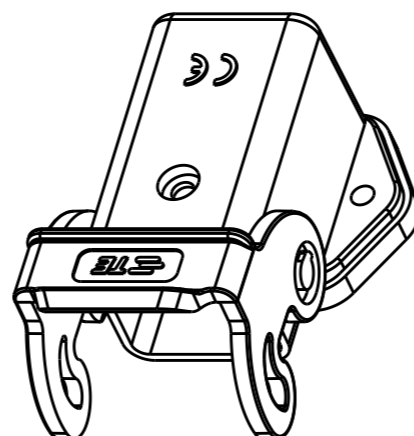
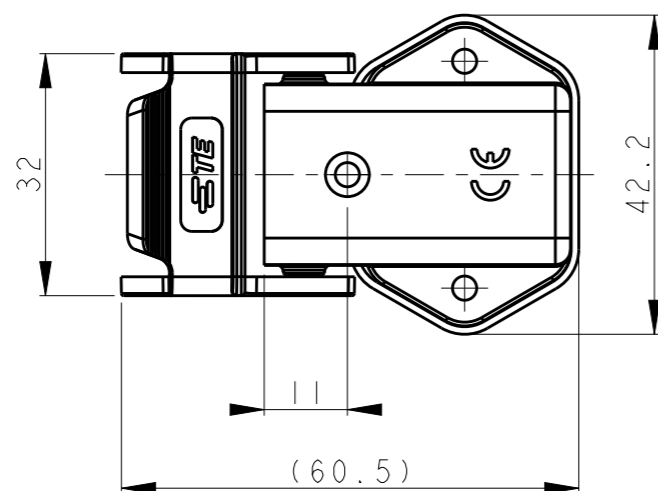
RELEASED FOR PUBLICATION

20

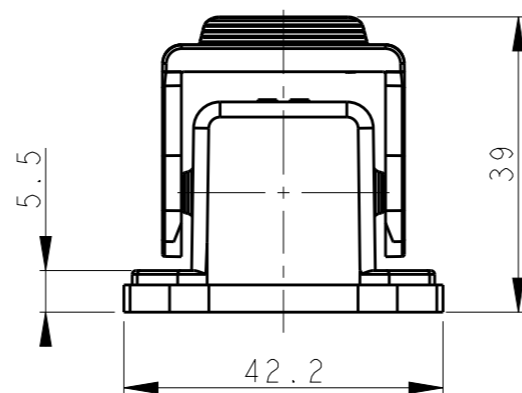
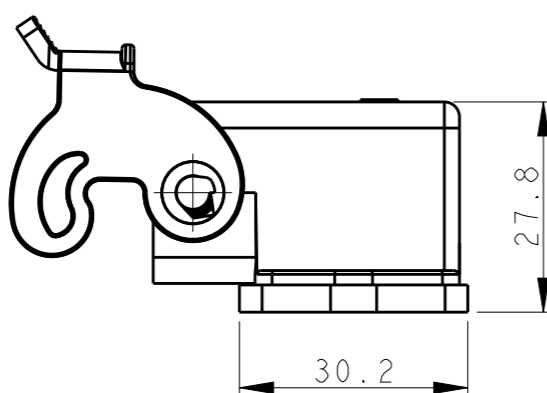
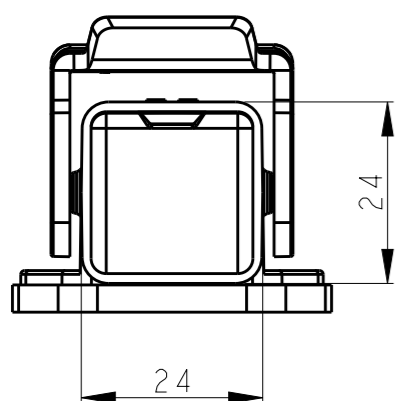
© COPYRIGHT 20 BY -

ALL RIGHTS RESERVED.

LOC	DIST	REVISIONS				
P	LTR	DESCRIPTION	DATE	DWN	APVD	
-	-	A	INITIAL RELEASE	23APR2015	DL	CW
		B	ECR-18-017120	27MAR2019	BS	CW
		C	ECR-20-008412	26NOV2020	BS	CW

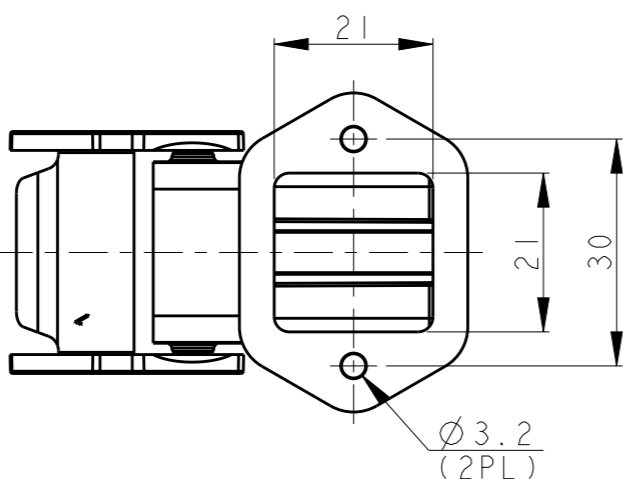


PANNEL CUT OUT




NOTES:
 1. TECHNICAL CHARACTERISTICS:
 BODY MATERIAL: PC
 DEGREE OF PROTECTION: IP65 (MATED)

注释:
 1. 技术参数:
 主体材料: PC
 防护等级: IP65(配合)



T1509031111-000	H3A-AGS	H3APLASTIC HOUSING, BULKHEAD MOUNTED, SIDE ENTRY PG11, PLASTIC SINGLE LOCKING, GREY H3A塑料下壳, 开孔安装, 侧出PG11, 塑料单扣, 灰色
PART NUMBER 料号	PART DESCRIPTION 描述	

THIS DRAWING IS A CONTROLLED DOCUMENT.		DWN 23APR2015 DAVID LI	 TE Connectivity	
DIMENSIONS: mm		CHK 23APR2015 CHRIS WANG		
TOLERANCES UNLESS OTHERWISE SPECIFIED:		APVD 23APR2015 XU XIANG	PRODUCT SPEC 108-137134	
0 PLC ±-		APPLICATION SPEC 114-137134		SIZE A3
1 PLC ±-		WEIGHT -		CAGE CODE -
2 PLC ±-		CUSTOMER DRAWING		DRAWING NO C-T1509031111000
3 PLC ±-		SCALE		RESTRICTED TO -
4 PLC ±-		SHEET		OF
ANGLES ±-		REV		C
FINISH				

X-ON Electronics

Largest Supplier of Electrical and Electronic Components

Click to view similar products for [Heavy Duty Power Connectors](#) category:

Click to view products by [TE Connectivity](#) manufacturer:

Other Similar products are found below :

[6646058-2](#) [6646137-1](#) [6646138-1](#) [6646940-1](#) [6651091-1](#) [6651525-1](#) [6651529-1](#) [696475-1](#) [702-32-01109](#) [73080255059](#) [7310205040001](#)
[765-16-0080B](#) [765-18-0080D](#) [MHDM35-15-K](#) [902-77-02113](#) [PS00/A0620/6300](#) [PS25/A0420/63](#) [AN0024023](#) [154-42B7WM250](#) [157-43GW8](#) [MS3117-14AC](#) [1643543-1](#) [1766966-1](#) [1791340000](#) [NLDFT-3-BL-L-S120-M40A](#) [1926015-1](#) [NPS-3-BL-T6](#) [2-1589900-8](#) [KA8102](#)
[9300480317](#) [294-0091-01100](#) [295-0068-01100](#) [296-0040-01100](#) [1-6609148-0](#) [A32595-0049](#) [1766249-1](#) [19000005132](#) [1926016-1](#) [1-966831-8](#) [AN0024202](#) [AN0264023](#) [279-0841-10100A](#) [281-0334-00100A](#) [RMSB4](#) [419-2083-301](#) [LCDX4/0-14B-X](#) [075-8519-001](#) [078238-1613](#)
[07.470.3256.0](#) [09000005288](#)