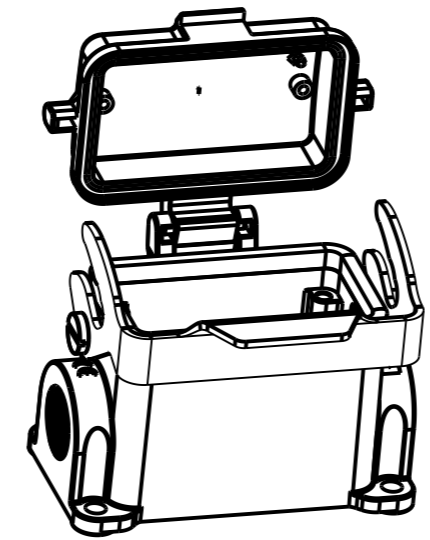
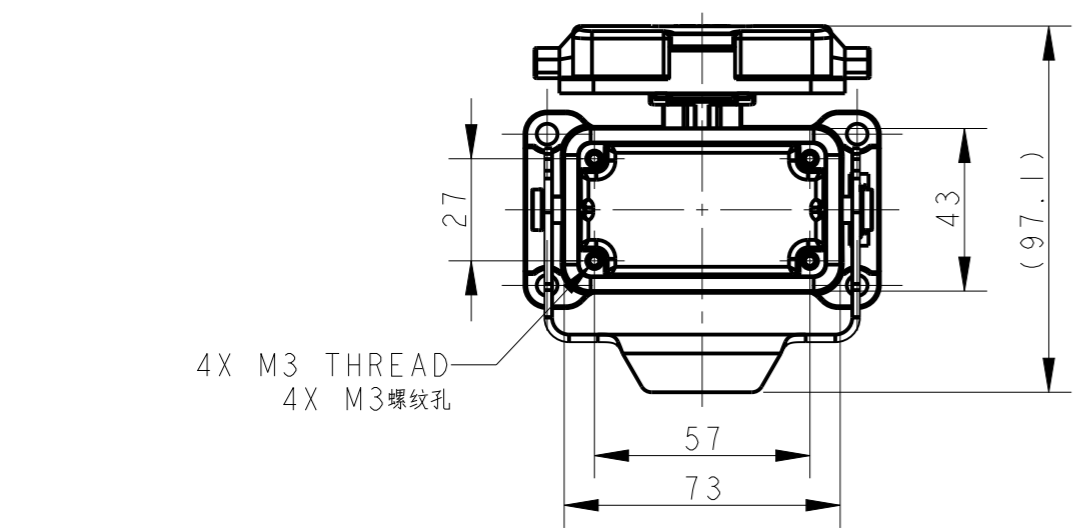


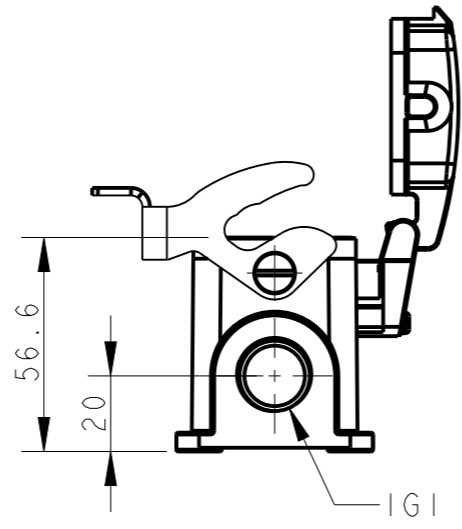
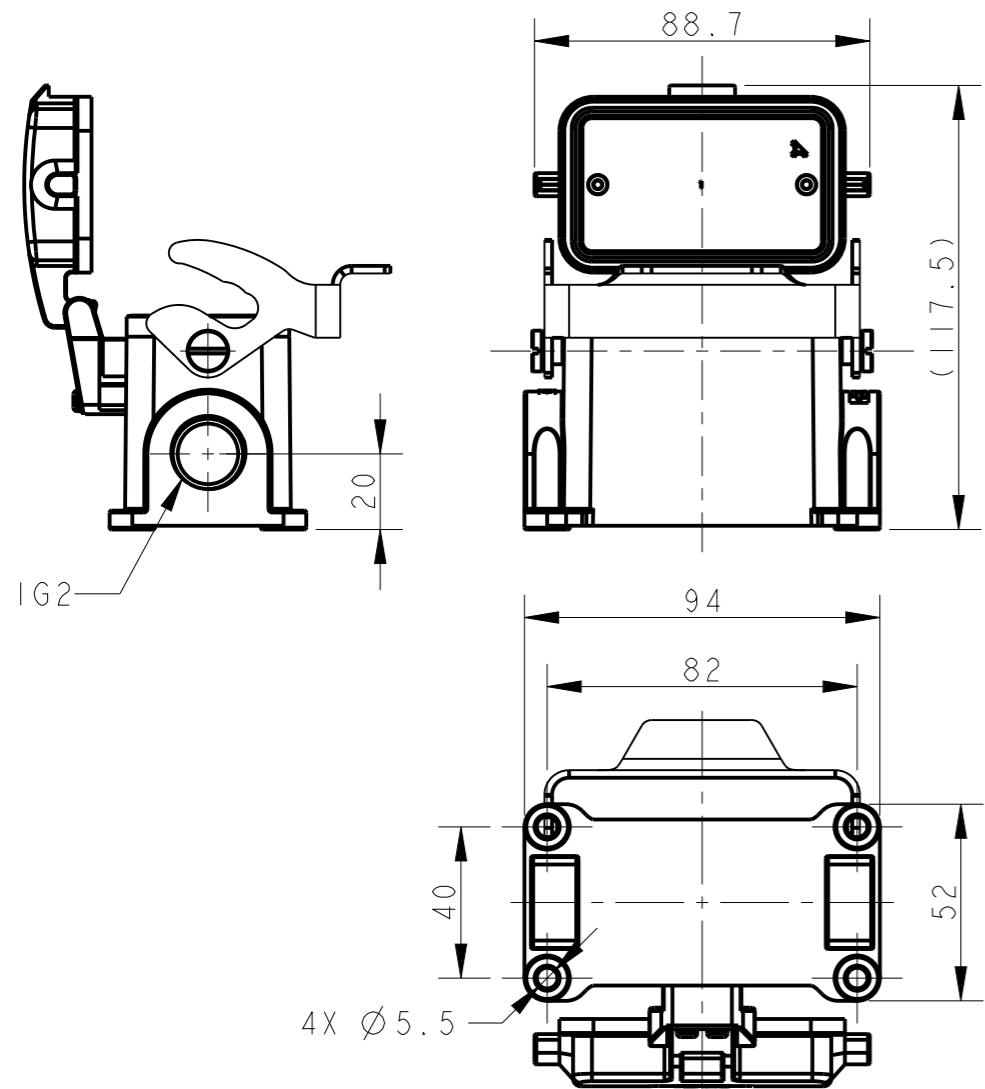
THIS DRAWING IS UNPUBLISHED. RELEASED FOR PUBLICATION 20
 © COPYRIGHT 20 BY - ALL RIGHTS RESERVED.

REVISIONS					
P	LTR	DESCRIPTION	DATE	DWN	APVD
	A	INITIAL RELEASE	25JUN2015	DL	CW
	A1	ECR-18-017123	17DEC2018	KW	CW
	B	ECR-20-008181	16JUL2020	WQR	CW




NOTES:
 1. TECHNICAL CHARACTERISTICS:
 BODY MATERIAL: DIE CAST ALUMINIUM ALLOY
 SURFACE TREATMENT: POWDER-COATED, GRAY
 DEGREE OF PROTECTION: IP65 (MATED)

注释:
 1. 技术参数:
 主体材料: 铝合金
 表面处理: 粉末喷涂, 灰色
 防护等级: IP65(配合)



PART NUMBER	料号	PART DESCRIPTION	描述	IG1	IG2	TYPE
TI620103116-000	H10B-SDR-LB-PG16	H10B HOUSING,SURFACE MOUNTED,METAL SINGLE LOCKING,PG16, PLASTIC PROTECTION COVER,POWDER COATED,GREY H10B下壳,表面安装,彩锌单扣,PG16,带塑料保护盖,灰色粉末喷涂	PG16	-		
TI620103120-000	H10B-SDR-LB-M20	H10B HOUSING,SURFACE MOUNTED,METAL SINGLE LOCKING,M20, PLASTIC PROTECTION COVER,POWDER COATED,GREY H10B下壳,表面安装,彩锌单扣,M20,带塑料保护盖,灰色粉末喷涂	M20	-		
TI620103121-000	H10B-SDR-LB-PG21	H10B HOUSING,SURFACE MOUNTED,METAL SINGLE LOCKING,PG21, PLASTIC PROTECTION COVER,POWDER COATED,GREY H10B下壳,表面安装,彩锌单扣,PG21,带塑料保护盖,灰色粉末喷涂	PG21	-		
TI620103125-000	H10B-SDR-LB-M25	H10B HOUSING,SURFACE MOUNTED,METAL SINGLE LOCKING,M25, PLASTIC PROTECTION COVER,POWDER COATED,GREY H10B下壳,表面安装,彩锌单扣,M25,带塑料保护盖,灰色粉末喷涂	M25	-		TYPE I
TI620103216-000	H10B-SDR-LB-2PG16	H10B HOUSING,SURFACE MOUNTED,METAL SINGLE LOCKING,2PG16, PLASTIC PROTECTION COVER,POWDER COATED,GREY H10B下壳,表面安装,彩锌单扣,2PG16,带塑料保护盖,灰色粉末喷涂	PG16	PG16		
TI620103220-000	H10B-SDR-LB-2M20	H10B HOUSING,SURFACE MOUNTED,METAL SINGLE LOCKING,2M20, PLASTIC PROTECTION COVER,POWDER COATED,GREY H10B下壳,表面安装,彩锌单扣,2M20,带塑料保护盖,灰色粉末喷涂	M20	M20		
TI620103225-000	H10B-SDR-LB-2M25	H10B HOUSING,SURFACE MOUNTED,METAL SINGLE LOCKING,2M25, PLASTIC PROTECTION COVER,POWDER COATED,GREY H10B下壳,表面安装,彩锌单扣,2M25,带塑料保护盖,灰色粉末喷涂	M25	M25		

TYPE I: H10B HOUSING,SURFACE MOUNTED,METAL SINGLE LOCKING, PLASTIC PROTECTION COVER,POWDER COATED,GREY
 类型I 10B下壳,表面安装,彩锌单扣,带塑料保护盖,灰色粉末喷涂

THIS DRAWING IS A CONTROLLED DOCUMENT.		DWN 25JUN2015 DAVID LI	 TE Connectivity	
DIMENSIONS: mm		CHK 25JUN2015 CHRIS WANG		
TOLERANCES UNLESS OTHERWISE SPECIFIED:		APVD 25JUN2015 XU XIANG	NAME H10B-SDR-LB-PG/M	
0 PLC ±-		PRODUCT SPEC 108-137013	RESTRICTED TO	
1 PLC ±-		APPLICATION SPEC 114-137013	SIZE A3	CAGE CODE -
2 PLC ±-		WEIGHT -	DRAWING NO C-TI62010XXXX000	SCALE 1:2
3 PLC ±-		CUSTOMER DRAWING	SHEET 1	OF 2
4 PLC ±-			REV B	
ANGLES ±-				
FINISH				

4

3

2

1

THIS DRAWING IS UNPUBLISHED.

RELEASED FOR PUBLICATION

20

© COPYRIGHT 20 BY -

ALL RIGHTS RESERVED.

REVISIONS

P	LTR	DESCRIPTION	DATE	DWN	APVD
-		SEE SHEET 1	-	-	-

(96.5)

NOTES:
SEE SHEET 1
注释:
见第1页.

92.6

(114.9)

IG1

IG2

TI620103416-000	H10B-SDRM-LB-PG16	H10B HOUSING,SURFACE MOUNTED,METAL SINGLE LOCKING,PG16, METAL PROTECTION COVER,POWDER COATED,GREY H10B下壳,表面安装,彩锌单扣,PG16,带金属保护盖,灰色粉末喷涂	PG16	-	
TI620103420-000	H10B-SDRM-LB-M20	H10B HOUSING,SURFACE MOUNTED,METAL SINGLE LOCKING,M20, METAL PROTECTION COVER,POWDER COATED,GREY H10B下壳,表面安装,彩锌单扣,M20,带金属保护盖,灰色粉末喷涂	M20	-	
TI620103421-000	H10B-SDRM-LB-PG21	H10B HOUSING,SURFACE MOUNTED,METAL SINGLE LOCKING,PG21, METAL PROTECTION COVER,POWDER COATED,GREY H10B下壳,表面安装,彩锌单扣,PG21,带金属保护盖,灰色粉末喷涂	PG21	-	
TI620103425-000	H10B-SDRM-LB-M25	H10B HOUSING,SURFACE MOUNTED,METAL SINGLE LOCKING,M25, METAL PROTECTION COVER,POWDER COATED,GREY H10B下壳,表面安装,彩锌单扣,M25,带金属保护盖,灰色粉末喷涂	M25	-	TYPE 2
TI620103316-000	H10B-SDRM-LB-2PG16	H10B HOUSING,SURFACE MOUNTED,METAL SINGLE LOCKING,2PG16, METAL PROTECTION COVER,POWDER COATED,GREY H10B下壳,表面安装,彩锌单扣,2PG16,带金属保护盖,灰色粉末喷涂	PG16	PG16	
TI620103320-000	H10B-SDRM-LB-2M20	H10B HOUSING,SURFACE MOUNTED,METAL SINGLE LOCKING,2M20, METAL PROTECTION COVER,POWDER COATED,GREY H10B下壳,表面安装,彩锌单扣,2M20,带金属保护盖,灰色粉末喷涂	M20	M20	
TI620103325-000	H10B-SDRM-LB-2M25	H10B HOUSING,SURFACE MOUNTED,METAL SINGLE LOCKING,2M25, METAL PROTECTION COVER,POWDER COATED,GREY H10B下壳,表面安装,彩锌单扣,2M25,带金属保护盖,灰色粉末喷涂	M25	M25	
PART NUMBER 料号	PART DESCRIPTION 描述		IG1 螺纹孔1	IG2 螺纹孔2	TYPE 类型

TYPE 2: H10B HOUSING,METAL PROTECTION COVER
OTHER SPEC REFER TO TYPE 1
类型2 H10B下壳,带金属保护盖,其它参考类型1

THIS DRAWING IS A CONTROLLED DOCUMENT.

DWN 25JUN2015

DAVID LI

CHK 25JUN2015

CHRIS WANG

APVD 25JUN2015

XU XIANG

PRODUCT SPEC

108-137013

APPLICATION SPEC

114-137013

WEIGHT

-

CUSTOMER DRAWING

TE Connectivity

NAME
H10B-SDRM-LB-PG/M

SIZE CAGE CODE DRAWING NO RESTRICTED TO

A3 - C-TI62010XXXX000

SCALE 1:2 SHEET 2 OF 2 REV B

DIMENSIONS:

mm

TOLERANCES UNLESS OTHERWISE SPECIFIED:

0 PLC	±-
1 PLC	±-
2 PLC	±-
3 PLC	±-
4 PLC	±-
ANGLES	±-

MATERIAL

-

FINISH

-

1470-19 (3/13)

X-ON Electronics

Largest Supplier of Electrical and Electronic Components

Click to view similar products for [Heavy Duty Power Connectors](#) category:

Click to view products by [TE Connectivity](#) manufacturer:

Other Similar products are found below :

[647757-1](#) [6643411-1](#) [6646058-2](#) [6646137-1](#) [6646138-1](#) [6646479-1](#) [6646608-1](#) [6646786-1](#) [6646940-1](#) [6651091-1](#) [6651525-1](#) [6651529-1](#)
[6651788-1](#) [696475-1](#) [702-32-01109](#) [703-25-02205](#) [73000005059](#) [73000005642](#) [73080255059](#) [73080965046](#) [765-15-0080A](#) [765-16-0080B](#)
[765-18-0080D](#) [829992-1](#) [902-77-02113](#) [PS00/A0620/6300](#) [PS25/A0420/63](#) [129-1J](#) [1409400](#) [AN0024023](#) [E6374G1](#) [e6389g2](#) [157-43GW8](#)
[MS3117-14AC](#) [1643543-1](#) [1650540-1](#) [1651811-2](#) [1766260-1](#) [1766282-1](#) [1766966-1](#) [1791340000](#) [NLDFT-3-BL-L-S120-M40A](#) [NLDFT-N-](#)
[W-L-C240-M40B](#) [NLS-2-R-C240-M40B](#) [NLS-N-W-C240-M40B](#) [NPS-3-BL-T6](#) [1986615-1](#) [2-1589900-8](#) [2199314-1](#) [KA8102](#)