

THIS DRAWING IS UNPUBLISHED.

RELEASED FOR PUBLICATION

20

© COPYRIGHT 20 BY -

ALL RIGHTS RESERVED.

REVISIONS

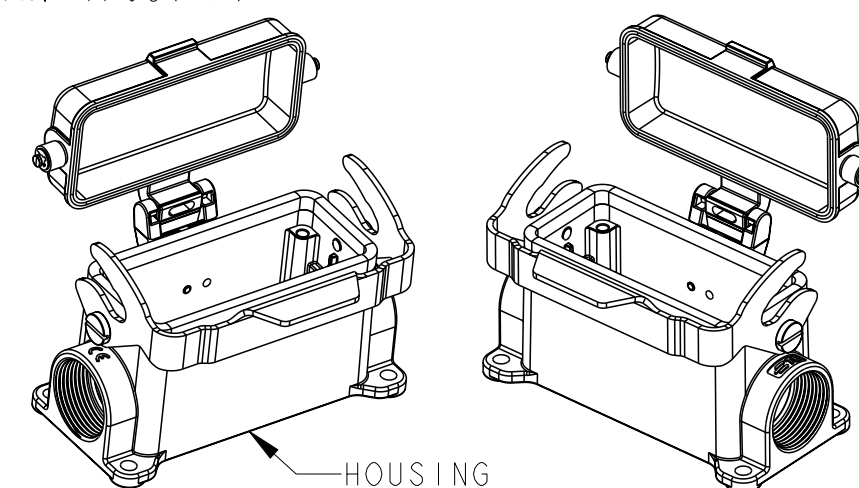
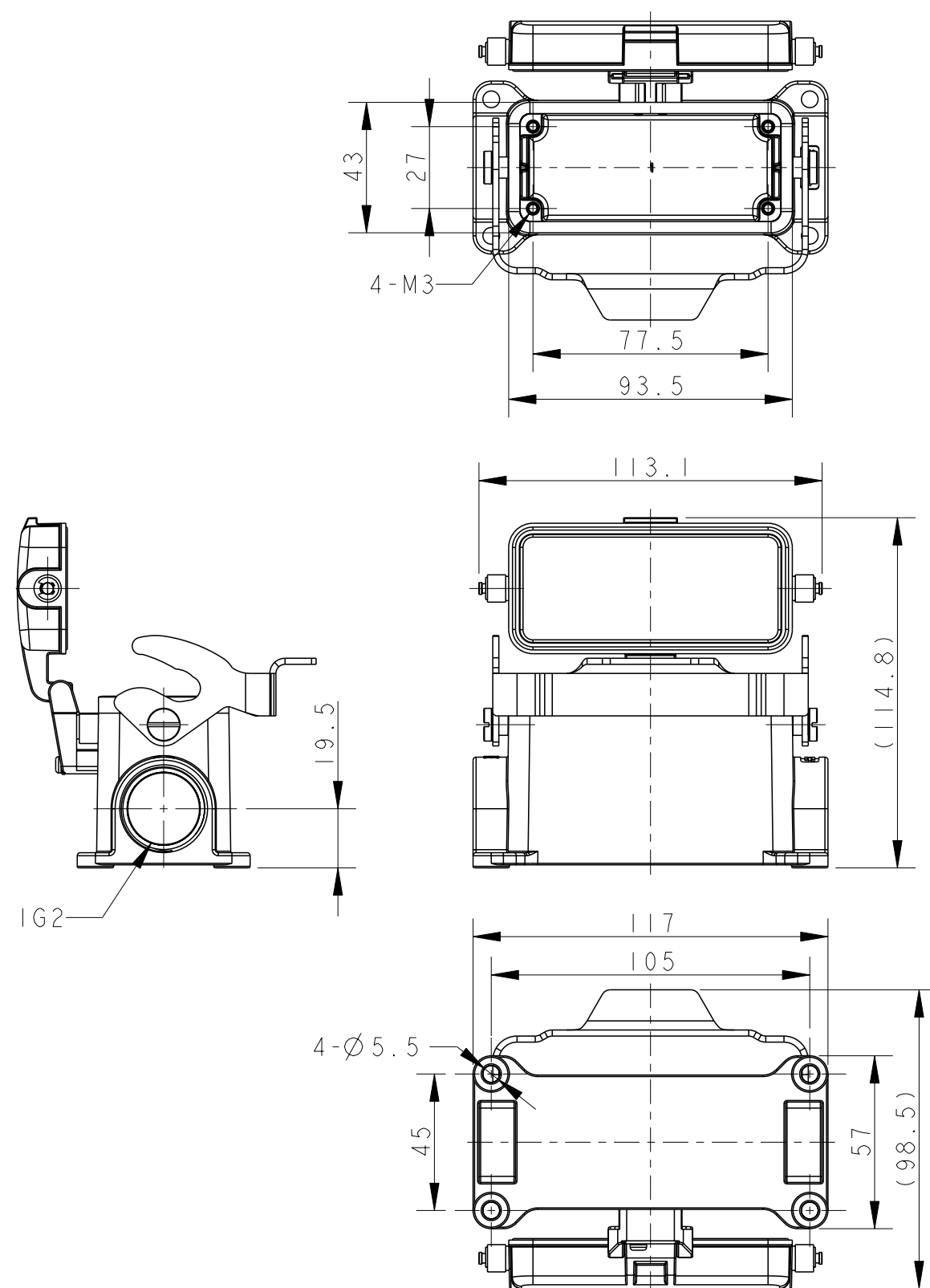
P	LTR	DESCRIPTION	DATE	DWN	APVD
A1		ECR-17-001721	13FEB2017	YC	CW
A2		ECR-17-012365	26AUG2017	RL	CW
A3		ECR-18-018974	15NOV2018	WQR	CW
B		ECR-20-008190	28SEP2020	WQR	CW

NOTES:

- 1. TECHNICAL CHARACTERISTICS:
HOUSING MATERIAL: DIE CAST ALUMINIUM ALLOY
SURFACE TREATMENT: POWDER COATED, GREY
DEGREE OF PROTECTION: IP65 (MATED)

注释:

- 1. 技术参数:
下壳材料: 铝合金
表面处理: 粉末喷涂, 灰色
防护等级: IP65 (配合)



SCALE 2:5

TYPE 1: T1620163XXX-000 HI6B-SDRM-LB-PG/M
 类型 1: T1620163XXX-000 HI6B下壳, 表面安装, 彩锌单扣, PG/M,
 带金属保护盖, 灰色粉末喷涂

THIS DRAWING IS A CONTROLLED DOCUMENT.

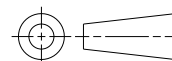
DWN 23JUN2015
 DAVID LI
 CHK 23JUN2015
 CHRIS WANG
 APVD 23JUN2015
 XIANG XU



NAME HI6B-SDRM-LB-PG/M

DIMENSIONS: mm

TOLERANCES UNLESS OTHERWISE SPECIFIED:



0 PLC ±-
 1 PLC ±-
 2 PLC ±-
 3 PLC ±-
 4 PLC ±-
 ANGLES ±-
 FINISH -

MATERIAL -

PRODUCT SPEC 108-137013

APPLICATION SPEC 114-137013

WEIGHT -

SIZE A3 CAGE CODE - DRAWING NO. C-T162016XXXXX00 RESTRICTED TO

CUSTOMER DRAWING

SCALE 1:2 SHEET 1 OF 3 REV B

printed on 19 Apr 2021 11:34 (China Standard Time) from TE343646

THIS DRAWING IS UNPUBLISHED.

RELEASED FOR PUBLICATION

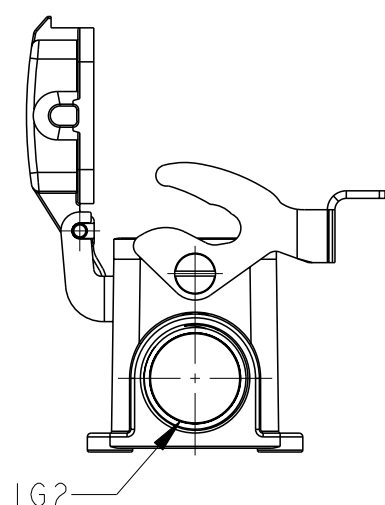
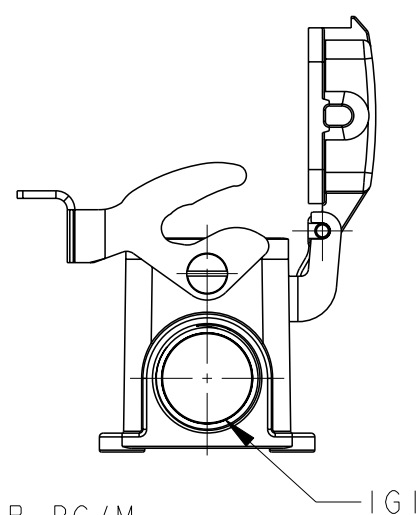
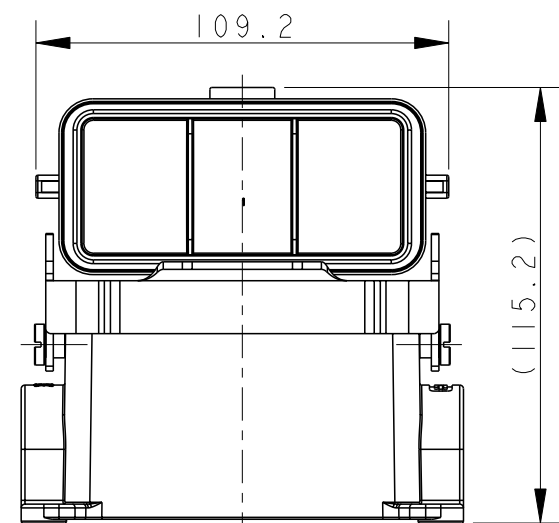
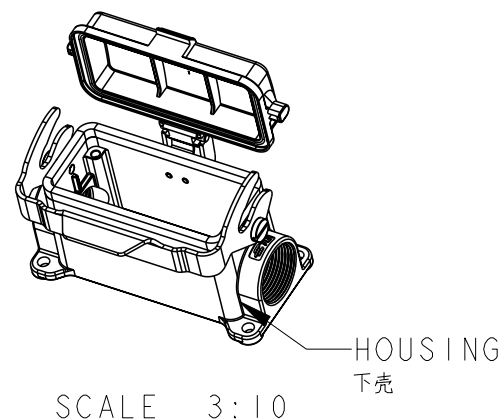
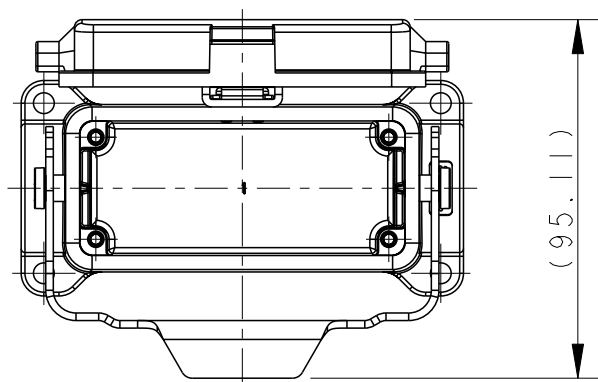
20

© COPYRIGHT 20 BY -

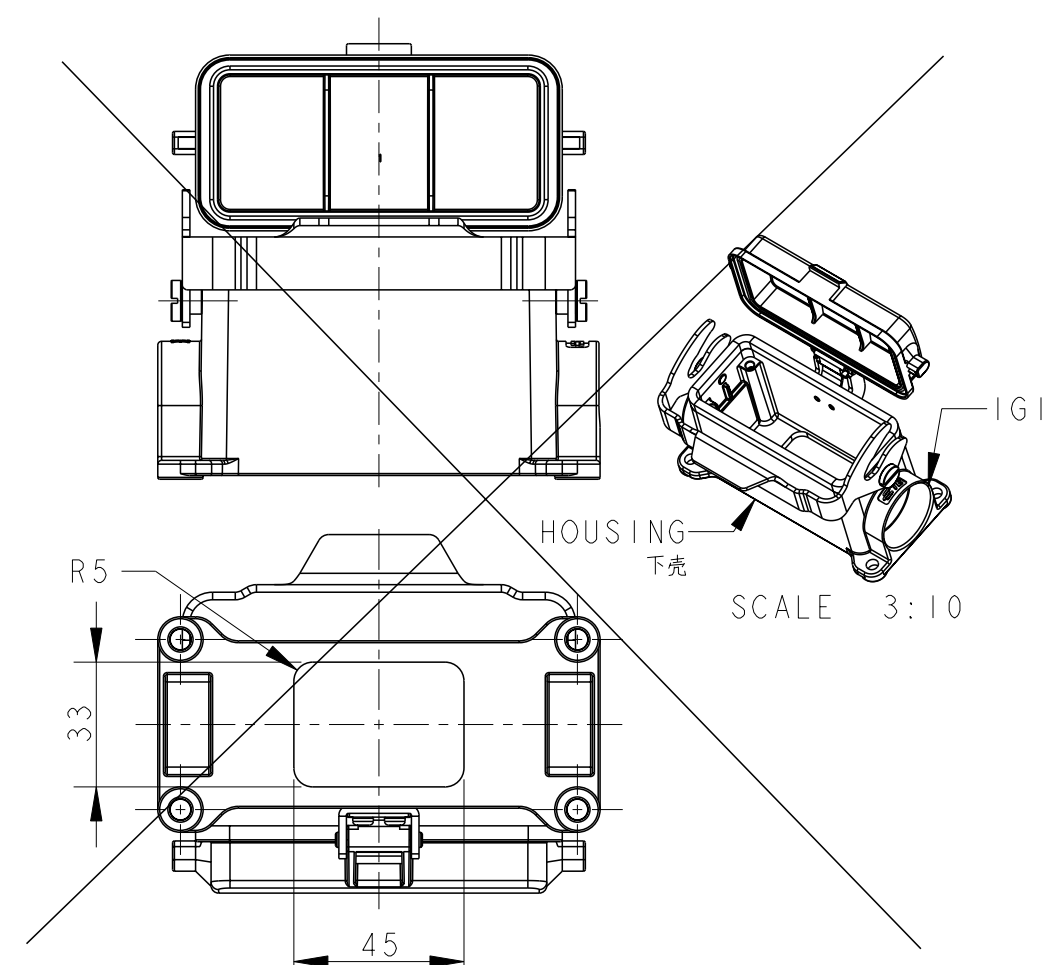
ALL RIGHTS RESERVED.

REVISIONS

P	LTR	DESCRIPTION	DATE	DWN	APVD
-	-	SEE SHEET 1	-	-	-

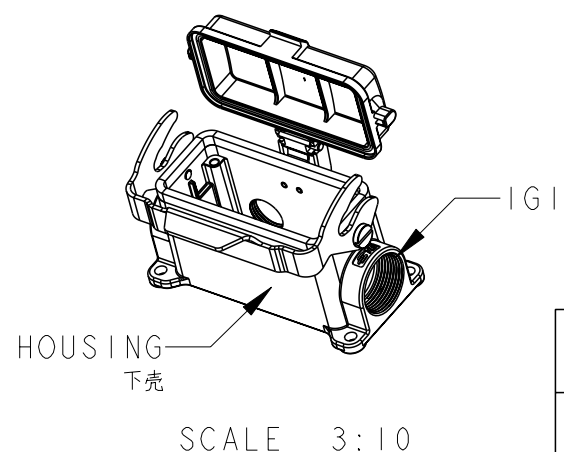
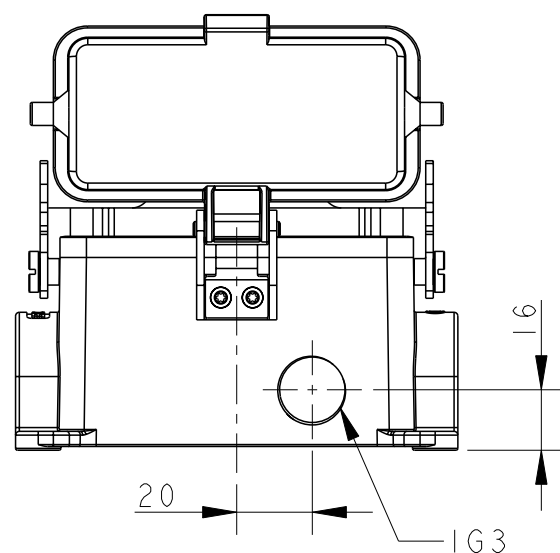


TYPE 2: T1620163XXX-000 HI6B-SDR-LB-PG/M
 OTHER SPEC REFER TO TYPE 1
 类型 2: T1620163XXX-000 HI6B下壳, 表面安装, 彩锌单扣, PG/M, 带塑料保护盖, 灰色粉末喷涂, 其余规范参照类型1



TYPE 4: T1620163132-100 HI6B-SDR-LB-M32
 OTHER SPEC REFER TO TYPE 2
 类型 4: T1620163132-100 HI6B下壳, 表面安装, 彩锌单扣, M32, 带塑料保护盖, 底部铣槽, 灰色粉末喷涂, 其余规范参照类型2

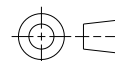
OBSOLETE TYPE 4 PN
 废除类型4料号



TYPE 3: T1620162111-000 HI6B-SDR-LB-PG11/PG21
 OTHER SPEC REFER TO TYPE 2
 类型 3: T1620162111-000 HI6B下壳, 表面安装, 彩锌单扣, PG11 + 正面PG21, 带塑料保护盖, 灰色粉末喷涂, 其余规范参照类型2

THIS DRAWING IS A CONTROLLED DOCUMENT.

DIMENSIONS:
mm



TOLERANCES UNLESS OTHERWISE SPECIFIED:

0 PLC	±-
1 PLC	±-
2 PLC	±-
3 PLC	±-
4 PLC	±-
ANGLES	±
FINISH	-

MATERIAL
-

DWN 23JUN2015
 DAVID LI
 CHK 23JUN2015
 CHRIS WANG
 APVD 23JUN2015
 XIANG XU
 PRODUCT SPEC
 108-137013
 APPLICATION SPEC
 114-137013
 WEIGHT
 -
 CUSTOMER DRAWING

TE TE Connectivity

NAME HI6B-SDRM-LB-PG/M

SIZE	CAGE CODE	DRAWING NO	RESTRICTED TO
A3	-	©-T162016XXXXX00	

SCALE 1:2 SHEET 2 OF 3 REV B

Printed on 19 Apr 2021 11:34 (China Standard Time) from TE343646

THIS DRAWING IS UNPUBLISHED.

RELEASED FOR PUBLICATION

20

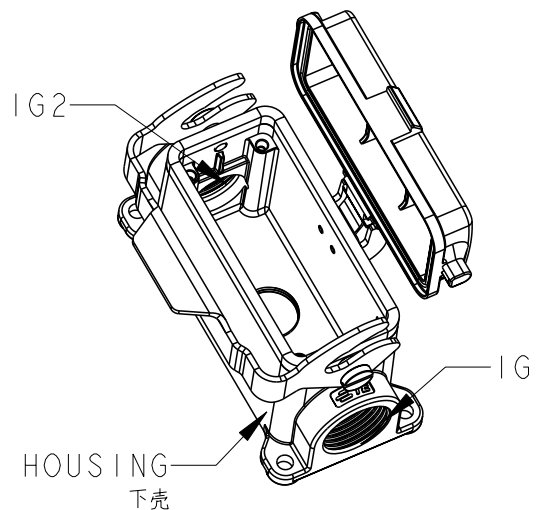
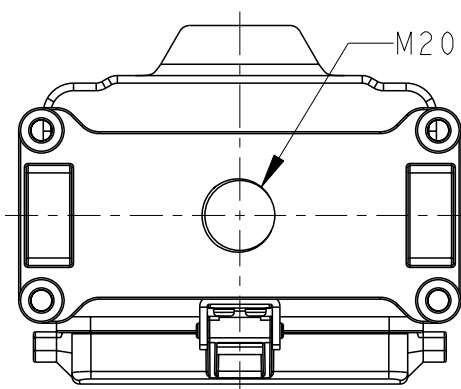
© COPYRIGHT 20 BY -

ALL RIGHTS RESERVED.

REVISIONS

P	LTR	DESCRIPTION	DATE	DWN	APVD
-	-	SEE SHEET 1	-	-	-

TYPE 5: T1620162520-000 HI6B-SDR-LB-2M25/M20
 OTHER SPEC REFER TO TYPE 2
 类型 5: T1620162520-000 HI6B下壳, 表面安装, 彩锌单扣,
 侧出2M25, 底出M20, 带塑料保护盖, 灰色粉末喷涂, 其余规范参照类型2



NOTES:
 SEE SHEET 1
 注释:
 参照 SHEET 1

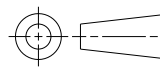
PART NUMBER	料号	PART DESCRIPTION	描述	IG1	IG2	IG3	TYPE
T1620163421-000	HI6B-SDRM-LB-PG21	HI6B HOUSING, SURFACE MOUNTED, METAL SINGLE LOCKING, PG21, METAL PROTECTION COVER, POWDER COATED, GREY HI6B下壳, 表面安装, 彩锌单扣, PG21, 带金属保护盖, 灰色粉末喷涂		PG21	-	-	TYPE 1 类型1
T1620163425-000	HI6B-SDRM-LB-M25	HI6B HOUSING, SURFACE MOUNTED, METAL SINGLE LOCKING, M25, METAL PROTECTION COVER, POWDER COATED, GREY HI6B下壳, 表面安装, 彩锌单扣, M25, 带金属保护盖, 灰色粉末喷涂		M25	-	-	
T1620163321-000	HI6B-SDRM-LB-2PG21	HI6B HOUSING, SURFACE MOUNTED, METAL SINGLE LOCKING, 2PG21, METAL PROTECTION COVER, POWDER COATED, GREY HI6B下壳, 表面安装, 彩锌单扣, 2PG21, 带金属保护盖, 灰色粉末喷涂		PG21	PG21	-	
T1620163325-000	HI6B-SDRM-LB-2M25	HI6B HOUSING, SURFACE MOUNTED, METAL SINGLE LOCKING, 2M25, METAL PROTECTION COVER, POWDER COATED, GREY HI6B下壳, 表面安装, 彩锌单扣, 2M25, 带金属保护盖, 灰色粉末喷涂		M25	M25	-	
T1620163121-000	HI6B-SDR-LB-PG21	HI6B HOUSING, SURFACE MOUNTED, METAL SINGLE LOCKING, PG21, PLASTIC PROTECTION COVER, POWDER COATED, GREY HI6B下壳, 表面安装, 彩锌单扣, PG21, 带塑料保护盖, 灰色粉末喷涂		PG21	-	-	TYPE 2 类型2
T1620163120-000	HI6B-SDR-LB-M20	HI6B HOUSING, SURFACE MOUNTED, METAL SINGLE LOCKING, M20, PLASTIC PROTECTION COVER, POWDER COATED, GREY HI6B下壳, 表面安装, 彩锌单扣, M20, 带塑料保护盖, 灰色粉末喷涂		M20	-	-	
T1620163125-000	HI6B-SDR-LB-M25	HI6B HOUSING, SURFACE MOUNTED, METAL SINGLE LOCKING, M25, PLASTIC PROTECTION COVER, POWDER COATED, GREY HI6B下壳, 表面安装, 彩锌单扣, M25, 带塑料保护盖, 灰色粉末喷涂		M25	-	-	
T1620163132-000	HI6B-SDR-LB-M32	HI6B HOUSING, SURFACE MOUNTED, METAL SINGLE LOCKING, M32, PLASTIC PROTECTION COVER, POWDER COATED, GREY HI6B下壳, 表面安装, 彩锌单扣, M32, 带塑料保护盖, 灰色粉末喷涂		M32			
T1620163220-000	HI6B-SDR-LB-2M20	HI6B HOUSING, SURFACE MOUNTED, METAL SINGLE LOCKING, 2M20, PLASTIC PROTECTION COVER, POWDER COATED, GREY HI6B下壳, 表面安装, 彩锌单扣, 2M20, 带塑料保护盖, 灰色粉末喷涂		M20	M20	-	
T1620163221-000	HI6B-SDR-LB-2PG21	HI6B HOUSING, SURFACE MOUNTED, METAL SINGLE LOCKING, 2PG21, PLASTIC PROTECTION COVER, POWDER COATED, GREY HI6B下壳, 表面安装, 彩锌单扣, 2PG21, 带塑料保护盖, 灰色粉末喷涂		PG21	PG21	-	
T1620163225-000	HI6B-SDR-LB-2M25	HI6B HOUSING, SURFACE MOUNTED, METAL SINGLE LOCKING, 2M25, PLASTIC PROTECTION COVER, POWDER COATED, GREY HI6B下壳, 表面安装, 彩锌单扣, 2M25, 带塑料保护盖, 灰色粉末喷涂		M25	M25	-	
T1620162111-000	HI6B-SDR-LB-PG11/PG21	HI6B HOUSING, SURFACE MOUNTED, METAL SINGLE LOCKING, PG11+FRONT ENTRY PG21, PLASTIC PROTECTION COVER, POWDER COATED, GREY HI6B下壳, 表面安装, 彩锌单扣, PG11+正面PG21, 带塑料保护盖, 灰色粉末喷涂		PG21	-	PG11	TYPE 3 类型3
T1620163132-100	HI6B-SDR-LB-M32/T	HI6B HOUSING, SURFACE MOUNTED, METAL SINGLE LOCKING, M32, PLASTIC PROTECTION COVER, MILL ON BOTTOM, POWDER COATED, GREY HI6B下壳, 表面安装, 彩锌单扣, M32, 带塑料保护盖, 底部铣槽, 灰色粉末喷涂		M32			TYPE 4 类型4
T1620162520-000	HI6B-SDR-LB-2M25/M20	HI6B HOUSING, SURFACE MOUNTED, METAL SINGLE LOCKING, SIDE ENTRY 2M25, BOTTOM ENTRY M20, PLASTIC PROTECTION COVER, POWDER COATED, GREY HI6B下壳, 表面安装, 彩锌单扣, 侧出2M25, 底出M20, 带塑料保护盖, 灰色粉末喷涂		M25	M25	-	TYPE 5 类型5

OBSOLETE
废除

OBSOLETE
废除

THIS DRAWING IS A CONTROLLED DOCUMENT.

DIMENSIONS:
mm



TOLERANCES UNLESS OTHERWISE SPECIFIED:

0 PLC	±-
1 PLC	±-
2 PLC	±-
3 PLC	±-
4 PLC	±-
ANGLES	±-
FINISH	-

MATERIAL

DWN 23JUN2015
 DAVID LI
 CHK 23JUN2015
 CHRIS WANG
 APVD 23JUN2015
 XIANG XU
 PRODUCT SPEC
 108-137013
 APPLICATION SPEC
 114-137013
 WEIGHT -
 CUSTOMER DRAWING



NAME HI6B-SDRM-LB-PG/M

SIZE	CAGE CODE	DRAWING NO	RESTRICTED TO
A3	-	©-T162016XXXXX00	

SCALE 1:2 SHEET 3 OF 3 REV B

Printed on 19 Apr 2021 11:34 (China Standard Time) from TE343646

X-ON Electronics

Largest Supplier of Electrical and Electronic Components

Click to view similar products for [Heavy Duty Power Connectors](#) category:

Click to view products by [TE Connectivity](#) manufacturer:

Other Similar products are found below :

[647757-1](#) [6643411-1](#) [6646058-2](#) [6646137-1](#) [6646138-1](#) [6646479-1](#) [6646608-1](#) [6646786-1](#) [6646940-1](#) [6651091-1](#) [6651525-1](#) [6651529-1](#)
[6651788-1](#) [696475-1](#) [702-32-01109](#) [703-25-02205](#) [73000005059](#) [73000005642](#) [73080255059](#) [73080965046](#) [765-15-0080A](#) [765-16-0080B](#)
[765-18-0080D](#) [829992-1](#) [902-77-02113](#) [PS00/A0620/6300](#) [PS25/A0420/63](#) [129-1J](#) [1409400](#) [AN0024023](#) [E6374G1](#) [e6389g2](#) [157-43GW8](#)
[MS3117-14AC](#) [1643543-1](#) [1650540-1](#) [1651811-2](#) [1766260-1](#) [1766282-1](#) [1766966-1](#) [1791340000](#) [NLDFT-3-BL-L-S120-M40A](#) [NLDFT-N-](#)
[W-L-C240-M40B](#) [NLS-2-R-C240-M40B](#) [NLS-N-W-C240-M40B](#) [NPS-3-BL-T6](#) [1986615-1](#) [2-1589900-8](#) [2199314-1](#) [KA8102](#)