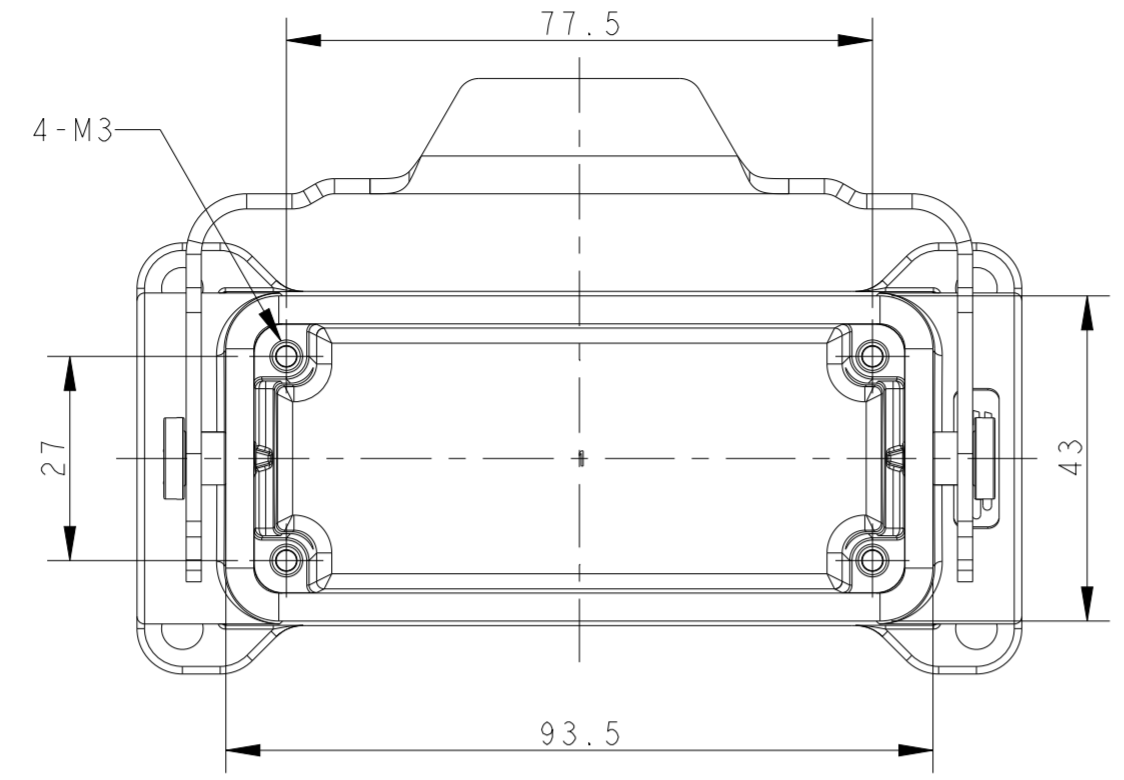


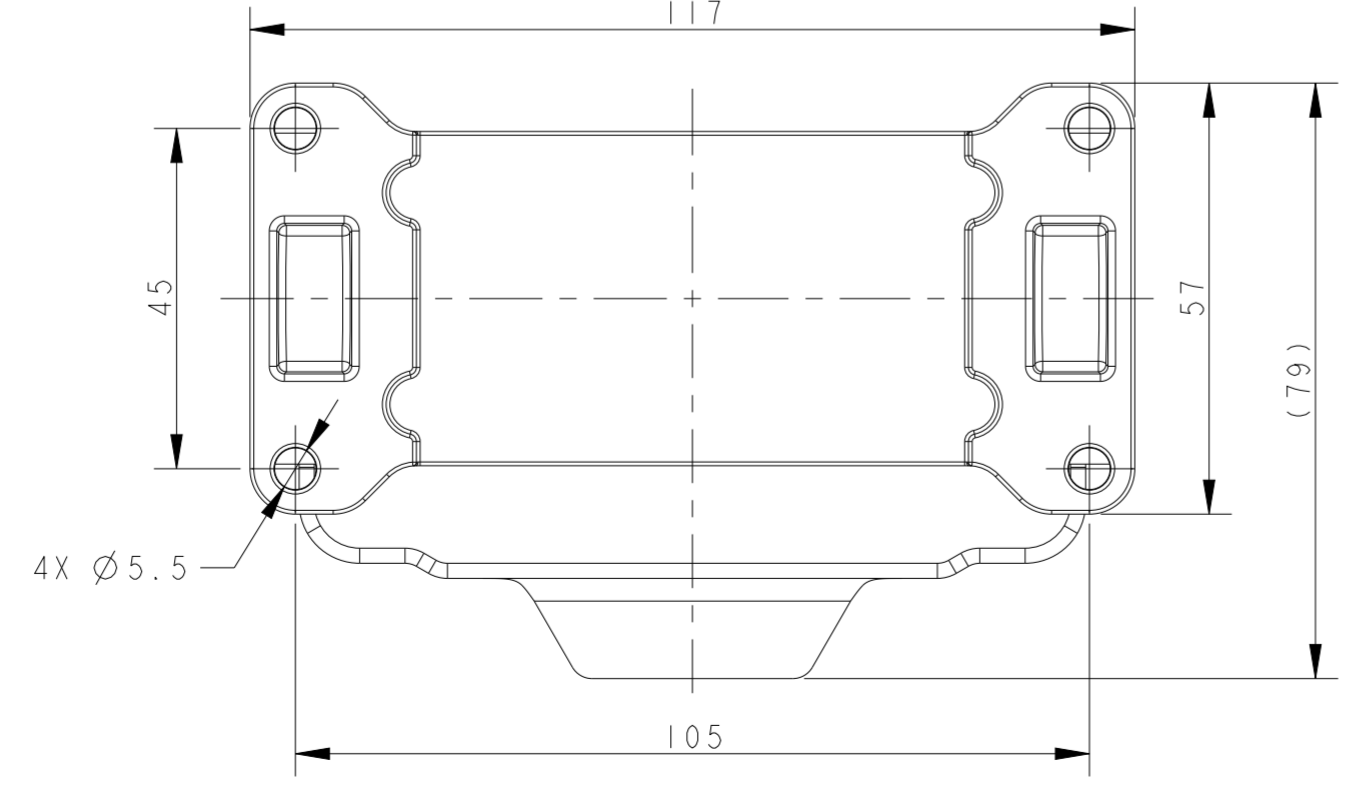
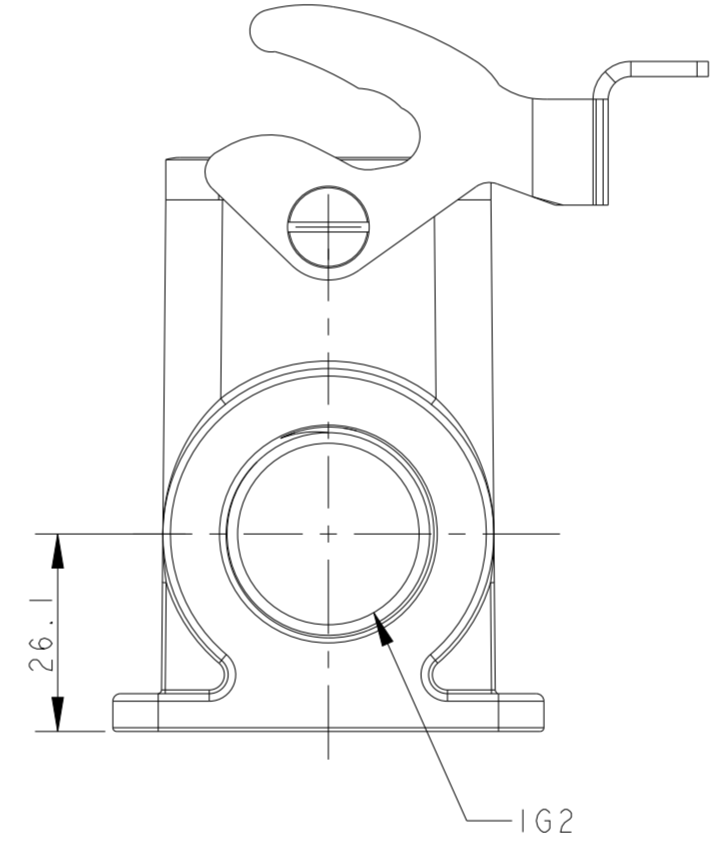
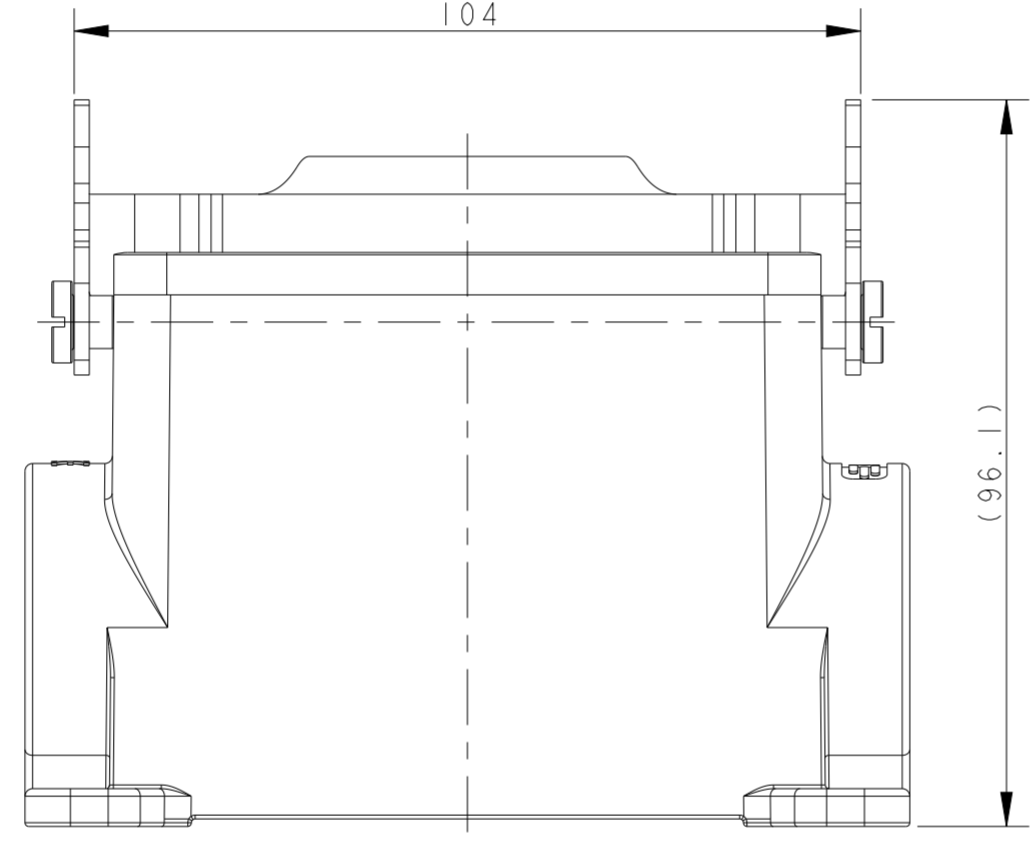
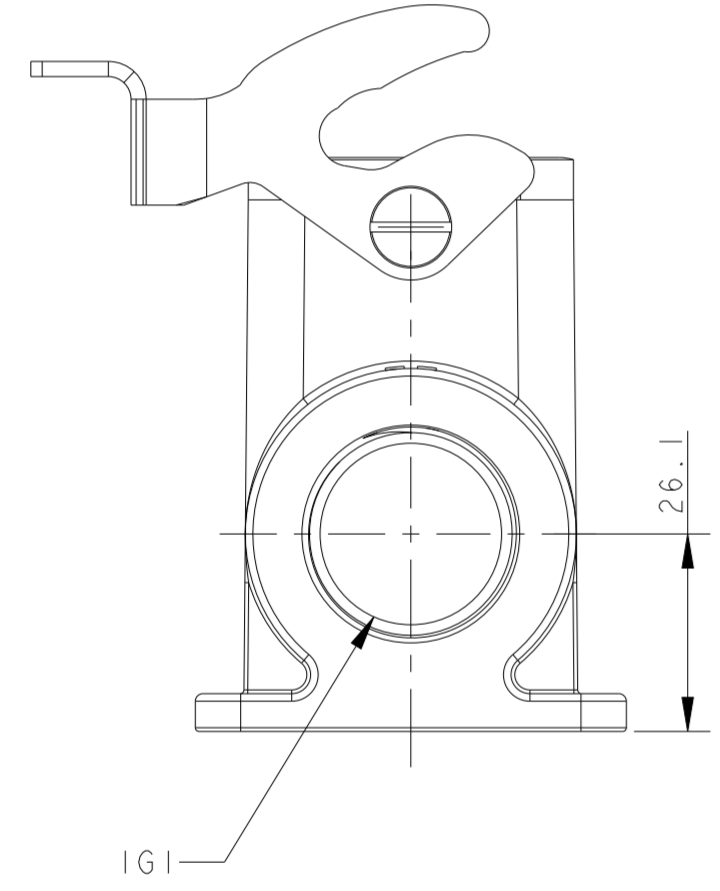
THIS DRAWING IS UNPUBLISHED. RELEASED FOR PUBLICATION 20  
 © COPYRIGHT 20 BY - ALL RIGHTS RESERVED.

REVISIONS					
P	LTR	DESCRIPTION	DATE	DWN	APVD
A		INITIAL RELEASE	23JUN2015	DL	CW
AI		ECR-18-018974	09NOV2018	WOR	CW
B		ECR-20-008190	28SEP2020	WOR	CW



NOTES:  
 1. TECHNICAL CHARACTERISTICS:  
 BODY MATERIAL: DIE CAST ALUMINIUM ALLOY  
 SURFACE TREATMENT: POWDER-COATED, GRAY  
 DEGREE OF PROTECTION: IP65 (MATED)

注释:  
 1. 技术参数:  
 主体材料: 铝合金  
 表面处理: 粉末喷涂, 灰色  
 防护等级: IP65(配合)



PART NUMBER	料号	DESCRIPTION	描述	1G1	1G2
TI650163125-000	HI6B-SGRH-LB-M25	HI6B HOUSING, SURFACE MOUNTED, METAL SINGLE LOCKING, M25, HIGH CONSTRUCTION, POWDER COATED, GREY	HI6B下壳, 表面安装, 彩钢单扣, M25, 高结构, 灰色粉末喷涂	M25	-
TI650163121-000	HI6B-SGRH-LB-PG21	HI6B HOUSING, SURFACE MOUNTED, METAL SINGLE LOCKING, PG21, HIGH CONSTRUCTION, POWDER COATED, GREY	HI6B下壳, 表面安装, 彩钢单扣, PG21, 高结构, 灰色粉末喷涂	PG21	-
TI650163129-000	HI6B-SGRH-LB-PG29	HI6B HOUSING, SURFACE MOUNTED, METAL SINGLE LOCKING, PG29, HIGH CONSTRUCTION, POWDER COATED, GREY	HI6B下壳, 表面安装, 彩钢单扣, PG29, 高结构, 灰色粉末喷涂	PG29	-
TI650163132-000	HI6B-SGRH-LB-M32	HI6B HOUSING, SURFACE MOUNTED, METAL SINGLE LOCKING, M32, HIGH CONSTRUCTION, POWDER COATED, GREY	HI6B下壳, 表面安装, 彩钢单扣, M32, 高结构, 灰色粉末喷涂	M32	-
TI650163221-000	HI6B-SGRH-LB-2PG21	HI6B HOUSING, SURFACE MOUNTED, METAL SINGLE LOCKING, 2PG21, HIGH CONSTRUCTION, POWDER COATED, GREY	HI6B下壳, 表面安装, 彩钢单扣, 2PG21, 高结构, 灰色粉末喷涂	PG21	PG21
TI650163229-000	HI6B-SGRH-LB-2PG29	HI6B HOUSING, SURFACE MOUNTED, METAL SINGLE LOCKING, 2PG29, HIGH CONSTRUCTION, POWDER COATED, GREY	HI6B下壳, 表面安装, 彩钢单扣, 2PG29, 高结构, 灰色粉末喷涂	PG29	PG29
TI650163232-000	HI6B-SGRH-LB-2M32	HI6B HOUSING, SURFACE MOUNTED, METAL SINGLE LOCKING, 2M32, HIGH CONSTRUCTION, POWDER COATED, GREY	HI6B下壳, 表面安装, 彩钢单扣, 2M32, 高结构, 灰色粉末喷涂	M32	M32

THIS DRAWING IS A CONTROLLED DOCUMENT.

DWN	DAVID LI	23JUN2015
CHK	CHRIS WANG	23JUN2015
APVD	XU XIANG	23JUN2015

TE Connectivity

NAME: HI6B-SGRH-LB-PG/M

PRODUCT SPEC: 108-137013

APPLICATION SPEC: 114-137013

SIZE: A2

CAGE CODE: -

DRAWING NO: C-TI650163XXX000

RESTRICTED TO: B

SCALE: 1:2

SHEET: 1 OF 1

REV: B

CUSTOMER DRAWING

## X-ON Electronics

Largest Supplier of Electrical and Electronic Components

*Click to view similar products for [Heavy Duty Power Connectors](#) category:*

*Click to view products by [TE Connectivity](#) manufacturer:*

Other Similar products are found below :

[647757-1](#) [6643411-1](#) [6646058-2](#) [6646137-1](#) [6646138-1](#) [6646479-1](#) [6646608-1](#) [6646786-1](#) [6646940-1](#) [6651091-1](#) [6651525-1](#) [6651529-1](#)  
[6651788-1](#) [696475-1](#) [702-32-01109](#) [703-25-02205](#) [73000005059](#) [73000005642](#) [73080255059](#) [73080965046](#) [765-15-0080A](#) [765-16-0080B](#)  
[765-18-0080D](#) [829992-1](#) [902-77-02113](#) [PS00/A0620/6300](#) [PS25/A0420/63](#) [129-1J](#) [1409400](#) [AN0024023](#) [E6374G1](#) [e6389g2](#) [157-43GW8](#)  
[MS3117-14AC](#) [1643543-1](#) [1650540-1](#) [1651811-2](#) [1766260-1](#) [1766282-1](#) [1766966-1](#) [1791340000](#) [NLDFT-3-BL-L-S120-M40A](#) [NLDFT-N-](#)  
[W-L-C240-M40B](#) [NLS-2-R-C240-M40B](#) [NLS-N-W-C240-M40B](#) [NPS-3-BL-T6](#) [1986615-1](#) [2-1589900-8](#) [2199314-1](#) [KA8102](#)