

4

3

2

1

THIS DRAWING IS UNPUBLISHED.

RELEASED FOR PUBLICATION

20

© COPYRIGHT 20 BY -

ALL RIGHTS RESERVED.

REVISIONS

P	LTR	DESCRIPTION	DATE	DWN	APVD
	A	INITIAL RELEASE	23JUN2015	DL	CW
	A1	ECR-17-001721	14FEB2017	YC	CW
	B	ECR-20-008190	10OCT2020	WQR	CW

NOTES:

1. TECHNICAL CHARACTERISTICS:
 HOUSING MATERIAL: DIE CAST ALUMINIUM ALLOY
 SURFACE TREATMENT: POWDER COATED, GREY
 DEGREE OF PROTECTION: IP65 (MATED)

注释:

1. 技术参数:
 下壳材料: 铝合金
 表面处理: 粉末喷涂, 灰色
 防护等级: IP65 (配合)

TYPE 1: TI660163XXX-100 HI6B-SDRHM-LB-PG/M
 类型 1: TI660163XXX-100 HI6B下壳, 表面安装, 彩锌单扣,
 PG/M, 高结构, 带金属保护盖, 灰色粉末喷涂

THIS DRAWING IS A CONTROLLED DOCUMENT.

DIMENSIONS:	TOLERANCES UNLESS OTHERWISE SPECIFIED:
mm	
	0 PLC ±-
	1 PLC ±-
	2 PLC ±-
	3 PLC ±-
	4 PLC ±-
	ANGLES ±-
	FINISH ±-
MATERIAL	
-	-
-	-

DWN	23JUN2015
DAVID LI	
CHK	23JUN2015
CHRIS WANG	
APVD	23JUN2015
XIANG XU	
PRODUCT SPEC	
	108-137013
APPLICATION SPEC	
	114-137013
WEIGHT	-
Customer Drawing	

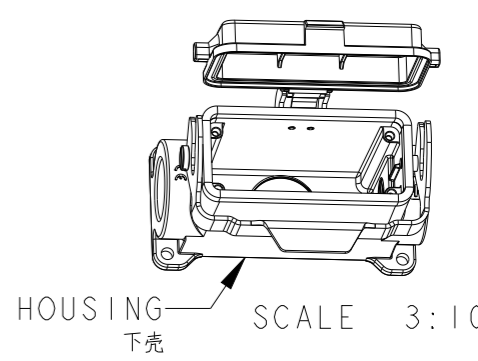
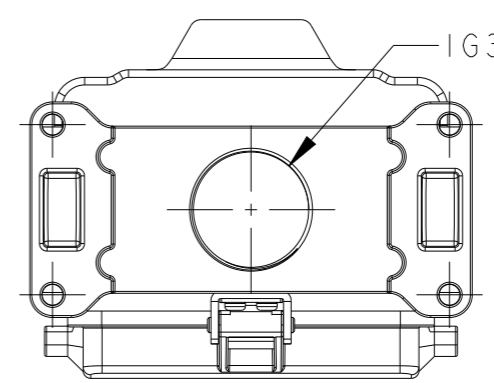
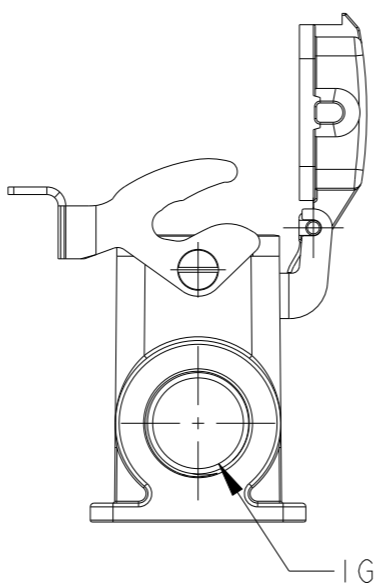
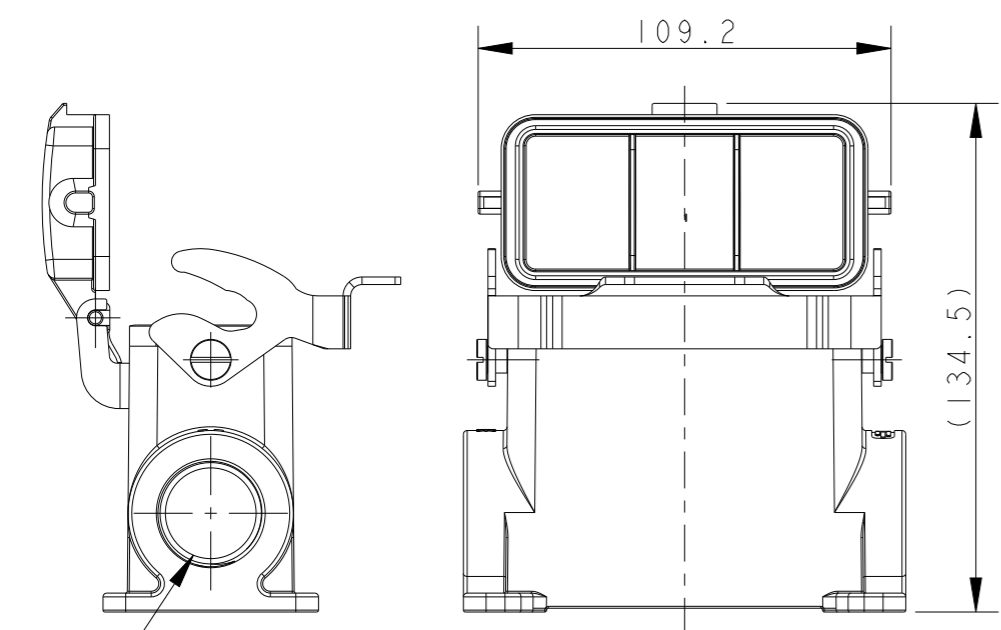
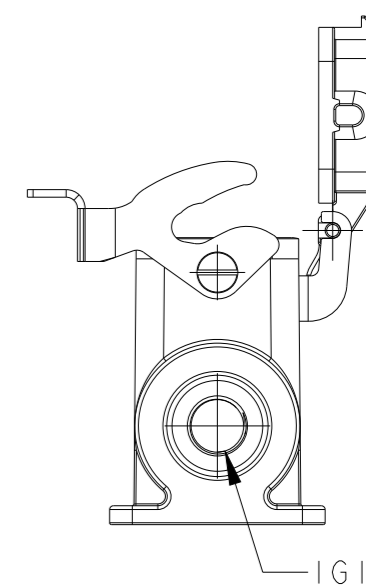
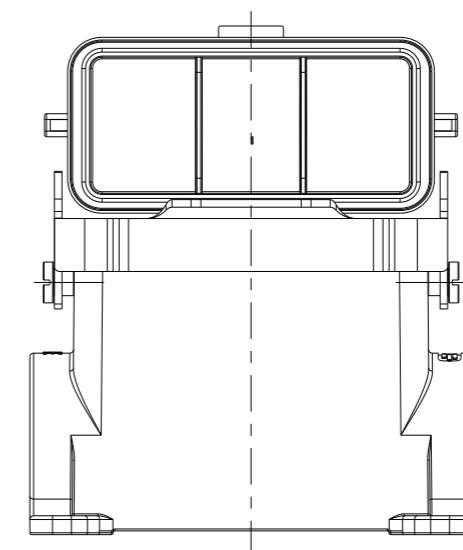
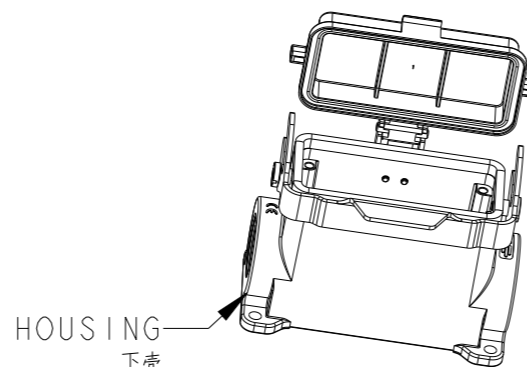
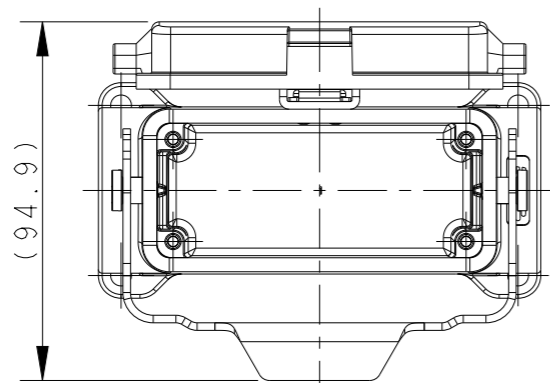
NAME HI6B-SDRHM-LB-PG/M

SIZE	A3
CAGE CODE	-
DRAWING NO	©-TI66016XXXXX00
RESTRICTED TO	-
SCALE	1:2
SHEET	1 OF 3
REV	B

1470-19 (3/13)

REVISIONS

P	LTR	DESCRIPTION	DATE	DWN	APVD
-	-	SEE SHEET 1	-	-	-



TYPE 2: T1660163XXX-000 HI6B-SDRH-LB-PG/M
 OTHER SPEC REFER TO TYPE 1
 类型 2: T1660163XXX-000HI6B下壳, 表面安装, 彩锌单扣, PG/M,
 高结构, 带塑料保护盖, 灰色粉末喷涂, 其余规范参照类型 1

TYPE 3: T1660160932-000 HI6B-SDRH-LB-M32/PG9
 OTHER SPEC REFER TO TYPE 2
 类型 3: T1660160932-000 HI6B下壳, 表面安装, 彩锌单扣, 侧出PG9,
 底出M32, 高结构, 带塑料保护盖, 灰色粉末喷涂, 其余规范参照类型 2

THIS DRAWING IS A CONTROLLED DOCUMENT.

DIMENSIONS: mm	TOLERANCES UNLESS OTHERWISE SPECIFIED:
	0 PLC ±-
	1 PLC ±-
	2 PLC ±-
	3 PLC ±-
	4 PLC ±-
	ANGLES ±-
MATERIAL	FINISH
-	-
-	-

DWN	23JUN2015
DAVID LI	
CHK	23JUN2015
CHRIS WANG	
APVD	23JUN2015
XIANG XU	
PRODUCT SPEC	108-137013
APPLICATION SPEC	114-137013
WEIGHT	-
Customer Drawing	

TE Connectivity		NAME		RESTRICTED TO
		HI6B-SDRHM-LB-PG/M		
SIZE	CAGE CODE	DRAWING NO	-	
A3	-	©-T166016XXXXX00	-	
SCALE		SHEET	OF	REV
1:2		2	3	B

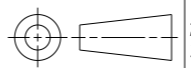
THIS DRAWING IS UNPUBLISHED. RELEASED FOR PUBLICATION 20
 © COPYRIGHT 20 BY - ALL RIGHTS RESERVED.

REVISIONS					
P	LTR	DESCRIPTION	DATE	DWN	APVD
	-	SEE SHEET 1	-	-	-

NOTES:
 SEE SHEET 1
 注释:
 参照 SHEET 1

PART NUMBER 料号	PART DESCRIPTION 描述	IG1	IG2	IG3	TYPE 类型
TI660163121-100	H16B-HOUSING,SURFACE MOUNTED,METAL SINGLE LOCKING,PG21,HIGH CONSTRUCTION,METAL PROTECTION COVER,POWDER COATED,GREY H16B下壳,表面安装,彩锌单扣,PG21,高结构,带金属保护盖,灰色粉末喷涂	PG21	-	-	TYPE 1 类型1
TI660163129-100	H16B-HOUSING,SURFACE MOUNTED,METAL SINGLE LOCKING,PG29,HIGH CONSTRUCTION,METAL PROTECTION COVER,POWDER COATED,GREY H16B下壳,表面安装,彩锌单扣,PG29,高结构,带金属保护盖,灰色粉末喷涂	PG29	-	-	
TI660163132-100	H16B-HOUSING,SURFACE MOUNTED,METAL SINGLE LOCKING,M32,HIGH CONSTRUCTION,METAL PROTECTION COVER,POWDER COATED,GREY H16B下壳,表面安装,彩锌单扣,M32,高结构,带金属保护盖,灰色粉末喷涂	M32	-	-	
TI660163221-100	H16B-HOUSING,SURFACE MOUNTED,METAL SINGLE LOCKING,2PG21,HIGH CONSTRUCTION,METAL PROTECTION COVER,POWDER COATED,GREY H16B下壳,表面安装,彩锌单扣,2PG21,高结构,带金属保护盖,灰色粉末喷涂	PG21	PG21	-	
TI660163229-100	H16B-HOUSING,SURFACE MOUNTED,METAL SINGLE LOCKING,2PG29,HIGH CONSTRUCTION,METAL PROTECTION COVER,POWDER COATED,GREY H16B下壳,表面安装,彩锌单扣,2PG29,高结构,带金属保护盖,灰色粉末喷涂	PG29	PG29	-	
TI660163232-100	H16B-HOUSING,SURFACE MOUNTED,METAL SINGLE LOCKING,2M32,HIGH CONSTRUCTION,METAL PROTECTION COVER,POWDER COATED,GREY H16B下壳,表面安装,彩锌单扣,2M32,高结构,带金属保护盖,灰色粉末喷涂	M32	M32	-	TYPE 2 类型2
TI660163121-000	H16B-HOUSING,SURFACE MOUNTED,METAL SINGLE LOCKING,PG21,HIGH CONSTRUCTION,PLASTIC PROTECTION COVER,POWDER COATED,GREY H16B下壳,表面安装,彩锌单扣,PG21,高结构,带塑料保护盖,灰色粉末喷涂	PG21	-	-	
TI660163129-000	H16B-HOUSING,SURFACE MOUNTED,METAL SINGLE LOCKING,PG29,HIGH CONSTRUCTION,PLASTIC PROTECTION COVER,POWDER COATED,GREY H16B下壳,表面安装,彩锌单扣,PG29,高结构,带塑料保护盖,灰色粉末喷涂	PG29	-	-	
TI660163125-000	H16B-HOUSING,SURFACE MOUNTED,METAL SINGLE LOCKING,M25,HIGH CONSTRUCTION,PLASTIC PROTECTION COVER,POWDER COATED,GREY H16B下壳,表面安装,彩锌单扣,M25,高结构,带塑料保护盖,灰色粉末喷涂	M25	-	-	
TI660163132-000	H16B-HOUSING,SURFACE MOUNTED,METAL SINGLE LOCKING,M32,HIGH CONSTRUCTION,PLASTIC PROTECTION COVER,POWDER COATED,GREY H16B下壳,表面安装,彩锌单扣,M32,高结构,带塑料保护盖,灰色粉末喷涂	M32	-	-	
TI660163221-000	H16B-HOUSING,SURFACE MOUNTED,METAL SINGLE LOCKING,2PG21,HIGH CONSTRUCTION,PLASTIC PROTECTION COVER,POWDER COATED,GREY H16B下壳,表面安装,彩锌单扣,2PG21,高结构,带塑料保护盖,灰色粉末喷涂	PG21	PG21	-	
TI660163229-000	H16B-HOUSING,SURFACE MOUNTED,METAL SINGLE LOCKING,2PG29,HIGH CONSTRUCTION,PLASTIC PROTECTION COVER,POWDER COATED,GREY H16B下壳,表面安装,彩锌单扣,2PG29,高结构,带塑料保护盖,灰色粉末喷涂	PG29	PG29	-	
TI660163232-000	H16B-HOUSING,SURFACE MOUNTED,METAL SINGLE LOCKING,2M32,HIGH CONSTRUCTION,PLASTIC PROTECTION COVER,POWDER COATED,GREY H16B下壳,表面安装,彩锌单扣,2M32,高结构,带塑料保护盖,灰色粉末喷涂	M32	M32	-	
TI660160932-000	H16B-HOUSING,SURFACE MOUNTED,METAL SINGLE LOCKING,SIDE ENTRY PG9,BOTTOM ENTRY M32,HIGH CONSTRUCTION,PLASTIC PROTECTION COVER,POWDER COATED,GREY / H16B下壳,表面安装,彩锌单扣,侧出PG9,底出M32,高结构,带塑料保护盖,灰色粉末喷涂	PG9	-	M32	

THIS DRAWING IS A CONTROLLED DOCUMENT.

DIMENSIONS: mm	TOLERANCES UNLESS OTHERWISE SPECIFIED:
	0 PLC ±-
	1 PLC ±-
	2 PLC ±-
	3 PLC ±-
	4 PLC ±-
	ANGLES ±-
MATERIAL	FINISH
-	-
-	-

DWN	23JUN2015
DAVID LI	
CHK	23JUN2015
CHRIS WANG	
APVD	23JUN2015
XIANG XU	
PRODUCT SPEC	108-137013
APPLICATION SPEC	114-137013
WEIGHT	-
CUSTOMER DRAWING	

STE TE Connectivity

NAME: H16B-SDRHM-LB-PG/M

SIZE	CAGE CODE	DRAWING NO	RESTRICTED TO
A3	-	©-TI66016XXXXX00	-

SCALE: 1:2 SHEET 3 OF 3 REV B

X-ON Electronics

Largest Supplier of Electrical and Electronic Components

Click to view similar products for [Heavy Duty Power Connectors](#) category:

Click to view products by [TE Connectivity](#) manufacturer:

Other Similar products are found below :

[647757-1](#) [6643411-1](#) [6646058-2](#) [6646137-1](#) [6646138-1](#) [6646479-1](#) [6646608-1](#) [6646786-1](#) [6646940-1](#) [6651091-1](#) [6651525-1](#) [6651529-1](#)
[6651788-1](#) [696475-1](#) [702-32-01109](#) [703-25-02205](#) [73000005059](#) [73000005642](#) [73080255059](#) [73080965046](#) [765-15-0080A](#) [765-16-0080B](#)
[765-18-0080D](#) [829992-1](#) [902-77-02113](#) [PS00/A0620/6300](#) [PS25/A0420/63](#) [129-1J](#) [1409400](#) [AN0024023](#) [E6374G1](#) [e6389g2](#) [157-43GW8](#)
[MS3117-14AC](#) [1643543-1](#) [1650540-1](#) [1651811-2](#) [1766260-1](#) [1766282-1](#) [1766966-1](#) [1791340000](#) [NLDFT-3-BL-L-S120-M40A](#) [NLDFT-N-](#)
[W-L-C240-M40B](#) [NLS-2-R-C240-M40B](#) [NLS-N-W-C240-M40B](#) [NPS-3-BL-T6](#) [1986615-1](#) [2-1589900-8](#) [2199314-1](#) [KA8102](#)